

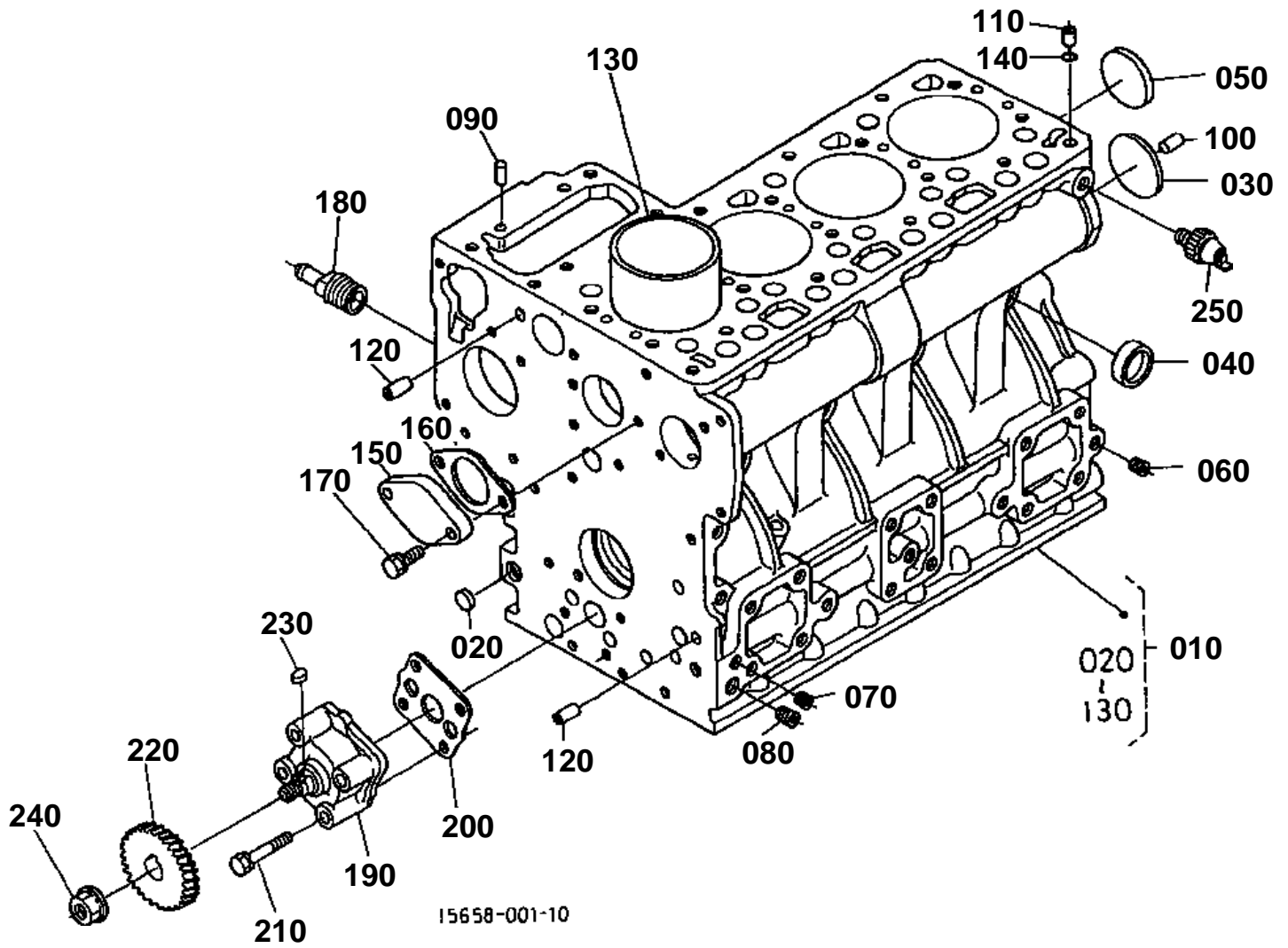
LABELS
ACCESSORIES

Item	Part No.	Description	Book
ENGINE	01T001	CRANKCASE	100K0199
	01T002	OIL PAN	100K0199
	01T003	PISTON/CRANKSHAFT	100K0199
	01T004	MAIN BEARING CASE	100K0199
	01T00501	FLYWHEEL	100K0199
	01T006	CYLINDER HEAD	100K0199
	01T007	VALVE/ROCKER ARM	100K0199
	01T008	NOZZLE HOLDER	100K0199
	01T009	NOZZLE HOLDER [COMPONENT PARTS]	100K0199
	01T010	CYLINDER HEAD COVER	100K0199
	01T011	INLET MANIFOLD	100K0199
	02T012	AIR CLEANER	100K0199
	02T013	AIR CLEANER [COMPONENT PARTS]	100K0199
	01T014	EXHAUST MANIFOLD	100K0199
	02T015	MUFFLER	100K0199
	01T016	CAMSHAFT	100K0199
	01T017	GEAR CASE	100K0199
	01T018	WATER PUMP	100K0199
	01T019	WATER FLANGE/THERMOSTAT	100K0199
	01T020	FUEL CAMSHAFT	100K0199
	01T021	INJECTION PUMP	100K0199
	01T022	INJECTION PUMP [COMPONENT PARTS]	100K0199
	01T023	ENGINE STOP LEVER	100K0199
	01T024	SPEED CONTROL PLATE	100K0199
	01T025	GOVERNOR	100K0199
	01T026	UPPER GASKET KIT	100K0199
	01T027	LOWER GASKET KIT	100K0199
FUEL SYSTEM	02T028	ENGINE STOP ROD	100K0199
	02T029	ACCELERATOR LEVER	100K0199
	02T030	FUEL TANK	100K0199
	02T031	FUEL PIPE 1	100K0199
	02T032	FUEL FILTER	100K0199
COOLING WATER SYSTEM	02T033	FUEL PIPE 2	100K0199
	02T034	WATER PIPE	100K0199
	02T035	RADIATOR	100K0199
ELECTRICAL SYSTEM	01T036	FAN	100K0199
	01T037	TENSION PULLEY [CA]	100K0199
	01T03801	DYNAMO [A][AU][NZ]	100K0199
	01T03802	ALTERNATOR [CA]	100K0199
	01T03901	DYNAMO [A][AU][NZ] [COMPONENT PARTS]	100K0199
	01T03902	ALTERNATOR [CA] [COMPONENT PARTS]	100K0199
	02T040	STARTER	100K0199
	02T041	STARTER [COMPONENT PARTS]	100K0199
	02T042	BATTERY	100K0199
	02T043	LIGHT	100K0199
	02T044	WORKING LIGHT [OPTION]	100K0199
	02T045	PANEL/SWITCH	100K0199
	02T046	PANEL BOARD [COMPONENT PARTS]	100K0199
	02T04701	WIRE HARNESS [A][AU][NZ]	100K0199
CLUTCH	01T04801	CLUTCH	100K0199
	02T04901	CLUTCH ROD	100K0199
	02T050	CLUTCH PEDAL	100K0199
	02T05101	CLUTCH HOUSING	100K0199
TRANSMISSION	02T052	TRANSMISSION CASE	100K0199
	02T05301	TRANSMISSION CASE COVER	100K0199
	02T05601	PROPELLER SHAFT	100K0199
	02T05701	1ST SHAFT/2ND SHAFT	100K0199
	02T058	3RD SHAFT	100K0199
	02T059	4TH SHAFT	100K0199

Item	Part No.	Description	Book
TRANSMISSION	02T06001	FRONT DRIVE SHAFT/6TH SHAFT	100K0199
	02T06101	7TH SHAFT	100K0199
	02T062	REVERSE SHAFT	100K0199
	02T06301	PTO SHAFT	100K0199
	02T06302	MID PTO	100K0199
	02T06303	FRONT PTO [OPTION]	100K0199
SPEED CHANGE LEVER	02T064	MAIN GEAR SHAFT LEVER	100K0199
	02T065	MAIN GEAR SHAFT FORK	100K0199
	02T070	RANGE GEAR SHIFT LEVER	100K0199
	02T071	RANGE GEAR SHIFT FORK	100K0199
	02T07201	FRONT WHEEL DRIVE LEVER/PTO LEVER	100K0199
	02T073	FRONT DRIVE FORK	100K0199
REAR AXLE/REAR WHEEL	02T074	PTO FORK SHAFT	100K0199
	02T075	REAR DIFFERENTIAL	100K0199
	02T07601	DIFF.LOCK PEDAL	100K0199
	02T077	REAR AXLE	100K0199
	02T078	REAR AXLE CASE	100K0199
	02T07901	REAR WHEEL (8.3-24)	100K0199
	02T07902	REAR WHEEL (12.4-16)	100K0199
	02T07903	REAR WHEEL (12.4-16)	100K0199
BRAKE	02T07904	REAR WHEEL (13.6-16)	100K0199
	02T07905	REAR WHEEL (13.6-16)	100K0199
	02T080	BRAKE	100K0199
	02T081	BRAKE ROD	100K0199
	02T082	BRAKE PEDAL	100K0199
FRONT AXLE/FRONT WHEEL	02T084	FRONT AXLE/KNUCKLE ARM	100K0199
	02T085	FRONT WHEEL HUB	100K0199
	02T08601	FRONT WHEEL (4.00-12)	100K0199
	02T08602	FRONT WHEEL (6.50-12)	100K0199
	02T08603	FRONT WHEEL (23 X 8.50-12)	100K0199
	02T08604	FRONT WHEEL (23 X 8.50-12)	100K0199
	02T098	FRONT AXEL FRAME	100K0199
	02T099	FRONT WEIGHT BRACKET [OPTION]	100K0199
STEERING	02T10101	MANUAL STEERING	100K0199
	02T10102	POWER STEERING	100K0199
	02T10201	MANUAL STEERING [COMPONENT PARTS]	100K0199
HYDRAULIC SYSTEM	02T10202	POWER STEERING [COMPONENT PARTS]	100K0199
	01T103	HYDRAULIC GEAR PUMP	100K0199
	01T104	HYDRAULIC GEAR PUMP [COMPONENT PARTS]	100K0199
	02T105	HYDRAULIC PIPE (PS)	100K0199
	02T10601	HYDRAULIC PIPE (SUCTION)	100K0199
	02T10701	HYDRAULIC PIPE (DELIVERY/RETURN)	100K0199
	02T108	HYDRAULIC BLOCK [COMPONENT PARTS]	100K0199
	02T110	LIFT ARM	100K0199
	02T111	HYD.CYLINDER CAP	100K0199
	02T112	CONTROL VALVE	100K0199
	02T113	CONTROL VALVE1 [COMPONENT PARTS]	100K0199
	02T114	CONTROL VALVE2 [COMPONENT PARTS]	100K0199
	02T115	CONTROL VALVE3 [COMPONENT PARTS]	100K0199
	02T116	TOP LINK	100K0199
	02T117	LOWER LINK/LIFT ROD	100K0199
	02T118	CHECK CHAIN	100K0199
	HOOD(BONNET)/CHASSIS	02T119	HITCH
02T121		HOOD (BONNET)	100K0199
02T122		LACE	100K0199
02T123		HOOD (BONNET) COVER REAR	100K0199
02T124		HOOD (BONNET) FRONT	100K0199
02T125		HOOD (BONNET) SIDE	100K0199
02T126		DUST COVER	100K0199

Item	Part No.	Description	Book
HOOD(BONNET)/CHASSIS	02T127	HOOD (BONNET) SUPPORT	100K0199
	02T128	FENDER	100K0199
	02T12901	SEAT	100K0199
	02T13001	STEP	100K0199
	02T131	ROPS [A][CA]	100K0199
LABELS	02T132	LABEL 1	100K0199
	02T133	LABEL 2	100K0199
ACCESSORIES	02T134	ACCESSORIES AND SERVICE PARTS	100K0199

CRANKCASE



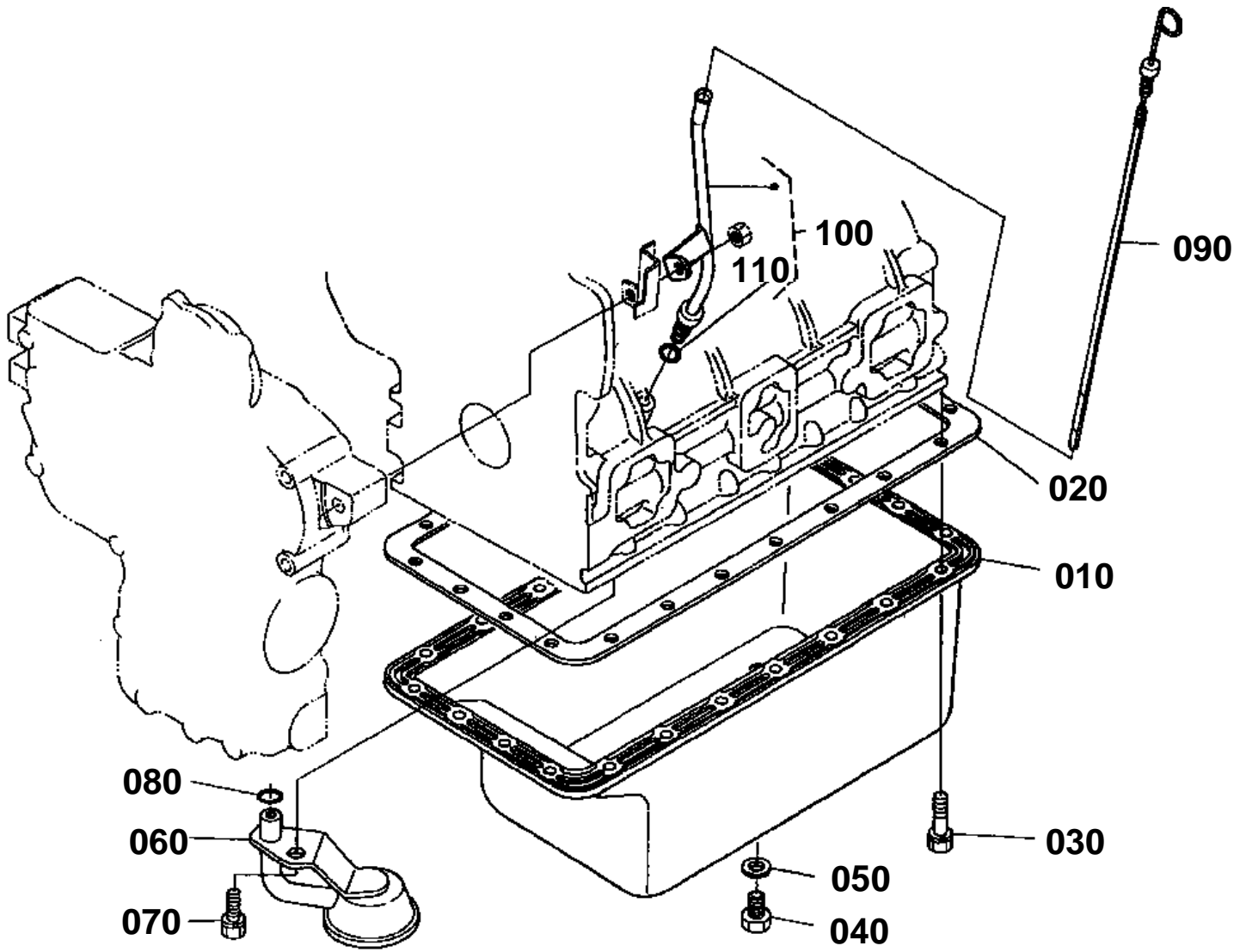


CRANKCASE

↔ Interchangeable; ≠ not interchangeable; ← new for old; → old for new

REF.No	Part No.	Description	Q'ty	S.No.	I/C	REMARKS	Weight (kgf)	Weight (lb)
010	15657-01010	COMP.CRANKCASE	1				34	74.8
020	15261-96170	PLUG	3				0.005	0.011
030	15261-96160	PLUG	1				0.02	0.044
040	15321-96260	CAP SEALING	6				0.001	0.0022
050	15221-03490	CAP SEALING	1				0.02	0.044
060	15261-96010	PLUG	7				0.002	0.0044
070	15521-96020	PLUG	3				0.003	0.0066
080	15521-96030	PLUG	1				0.007	0.0154
090	05012-00609	PIN STRAIGHT	2				0.003	0.0066
100	05012-00814	PIN STRAIGHT	2				0.006	0.0132
110	15221-33650	PIN PIPE	1				0.004	0.0088
120	15231-33960	PIN PIPE	2				0.001	0.0022
130	15531-02310	LINER CYLINDER	4				0.42	0.924
140	15221-33700	O RING	1				0.001	0.0022
150	15261-73910	COVER WATER	1				0.13	0.286
160	15263-73920	GASKET WATER COVER	1				0.002	0.0044
170	01023-50618	BOLT	2				0.006	0.0132
180	15531-73170	JOINT DRAIN PIPE	1				0.145	0.319
190	15261-35010	ASSY PUMP OIL	1				0.32	0.704
200	15263-35150	GASKET OIL PUMP NA	1				0.001	0.0022
210	15261-91022	BOLT	4				0.012	0.0264
220	15954-35662	GEAR OIL PUMP DRIVE	1				0.14	0.308
230	05712-00410	KEY FEATHER	1				0.001	0.0022
240	02771-60100	NUT FLANGE	1				0.01	0.022
250	15531-39010	SWITCH OIL	1				0.032	0.0704

OIL PAN



15658-002-10

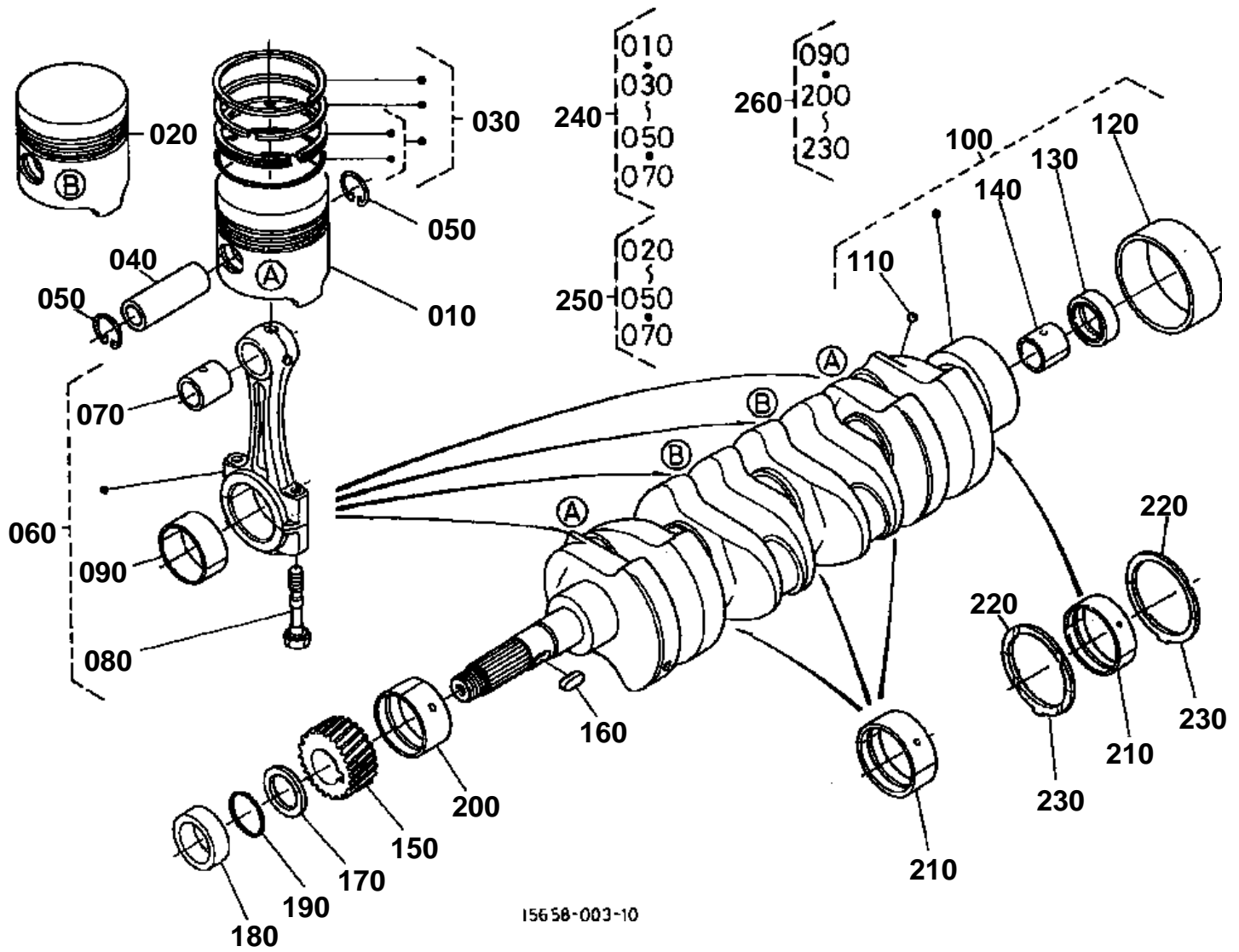


OIL PAN

↔ Interchangeable; ≠ not interchangeable; ← new for old; → old for new

REF.No	Part No.	Description	Q'ty	S.No.	I/C	REMARKS	Weight (kgf)	Weight (lb)
010	15741-01500	COMP.OIL PAN	1				1.51	3.322
020	19087-01620	GASKET OIL PAN	1				0.051	0.1122
030	15381-91092	BOLT	22				0.002	0.0044
040	15221-33750	PLUG	1				0.032	0.0704
050	15109-33660	GASKET	1				0.001	0.0022
060	15531-32110	FILTER OIL	1				0.185	0.407
070	01123-60816	BOLT	1				0.01	0.022
080	04811-00140	O RING	1				0	0
090	15655-36410	GAUGE OIL	1				0.03	0.066
100	15655-36420	GUIDE OIL GAUGE	1	←=907383			0.1	0.22
100	15655-36500	ASSY GUIDE OIL GAUGE	1	≠907384	←		0.102	0.2244
110	04814-00090	O RING	1	≠907384			0.001	0.0022

PISTON/CRANKSHAFT



15658-003-10

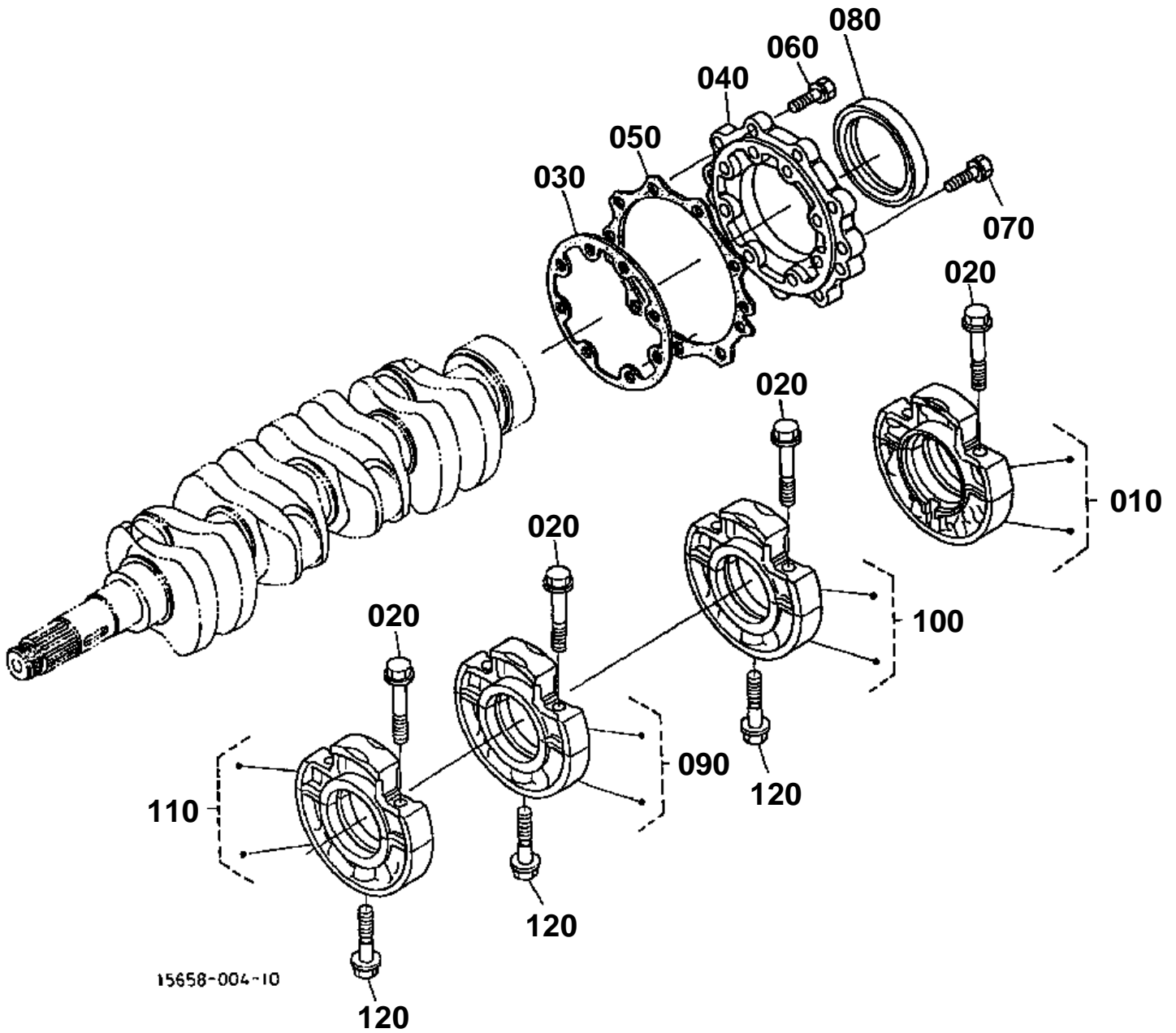


PISTON/CRANKSHAFT

↔ Interchangeable; ≠ not interchangeable; ← new for old; → old for new

REF.No	Part No.	Description	Q'ty	S.No.	I/C	REMARKS	Weight (kgf)	Weight (lb)
010	15532-21110	PISTON	2			STD	0.365	0.803
010	15532-21910	PISTON	2			+0.5MM	0.365	0.803
020	15531-21123	PISTON	2			STD	0.35	0.77
020	15531-21922	PISTON	2			+0.5MM	0.37	0.814
030	15442-21050	ASSY PISTON RING	4			STD	0.04	0.088
030	15442-21090	ASSY PISTON RING	4			+0.5MM	0.03	0.066
040	15261-21310	PIN PISTON	4				0.102	0.2244
050	15261-21330	CIRCLIP PISTON PIN	8				0.001	0.0022
060	15381-22010	ASSY CONNECTING ROD	4	<=755815			0	0
060	15694-22010	ASSY CONNECTING ROD	4	>=755816	↔		0.5	1.1
070	15261-21980	BUSH PISTON PIN	4				0.012	0.0264
080	15381-22140	BOLT CONNECTING ROD	8				0.02	0.044
090	15531-22310	METAL CRANKPIN	4	<=755815		STD	0	0
090	15694-22310	METAL CRANKPIN	4	>=755816	↔	STD	0.02	0.044
090	15531-22970	METAL CRANKPIN	4	<=755815		-0.2MM	0	0
090	15694-22970	METAL CRANKPIN	4	>=755816	↔	-0.2MM	0.025	0.055
090	15531-22980	METAL CRANKPIN	4	<=755815		-0.4MM	0	0
090	15694-22980	METAL CRANKPIN	4	>=755816	↔	-0.4MM	0.02	0.044
100	15741-23010	COMP.CRANKSHAFT	1				8	17.6
110	07715-00401	BALL	4	<=763260			0.001	0.0022
110	07715-03207	BALL	4	>=763261	≠		0.001	0.0022
120	19215-23280	SLEEVE CRANKSHAFT	1				0.05	0.11
130	09400-14247	SEAL OIL	1				0.004	0.0088
140	66621-14120	BEARING DRY	1				0.006	0.0132
150	15752-24110	GEAR CRANK	1				0.046	0.1012
160	05712-00515	KEY FEATHER	1				0.003	0.0066
170	15752-23310	SLINGER OIL	1				0.002	0.0044
180	15752-23250	COLLAR CRANKSHAFT	1				0.043	0.0946
190	04811-05230	O RING	1				0	0
200	15261-23470	METAL CRANKSHAFT	1	<=755815		STD	0	0
200	15694-23470	METAL CRANKSHAFT	1	>=755816	↔	STD	0.035	0.077
200	15261-23910	METAL CRANKSHAFT	1	<=755815		-0.2MM	0	0
200	15694-23910	METAL CRANKSHAFT	1	>=755816	↔	-0.2MM	0.04	0.088
200	15261-23920	METAL CRANKSHAFT	1	<=755815		-0.4MM	0	0
200	15694-23920	METAL CRANKSHAFT	1	>=755816	↔	-0.4MM	0.045	0.099
210	15261-23480	METAL CRANKSHAFT	4	<=755815		STD	0	0
210	15694-23480	METAL CRANKSHAFT	4	>=755816	↔	STD	0.04	0.088
210	15261-23930	METAL CRANKSHAFT	4	<=755815		-0.2MM	0	0
210	15694-23930	METAL CRANKSHAFT	4	>=755816	↔	-0.2MM	0.05	0.11
210	15261-23940	METAL CRANKSHAFT	4	<=755815		-0.4MM	0	0
210	15694-23940	METAL CRANKSHAFT	4	>=755816	↔	-0.4MM	0.046	0.1012
220	15261-23530	METAL SIDE	2			STD	0.006	0.0132
220	15261-23950	METAL SIDE	2			+0.2MM	0.006	0.0132
220	15261-23960	METAL SIDE	2			+0.4MM	0.007	0.0154
230	15261-23540	METAL SIDE	2			STD	0.007	0.0154
230	15261-23970	METAL SIDE	2			+0.2MM	0.006	0.0132
230	15261-23980	METAL SIDE	2			+0.4MM	0.007	0.0154
240	07916-28290	KIT PISTON-RING	2			STD	0.512	1.1264
240	07916-26610	KIT PISTON-RING	2			+0.5MM	0.52	1.144
250	07916-28300	KIT PISTON-RING	2			STD	0.2	0.44
250	07916-26620	KIT PISTON-RING	2			+0.5MM	0.54	1.188
260	07916-28140	KIT METAL ENGINE	1			STD	0.29	0.638

MAIN BEARING CASE



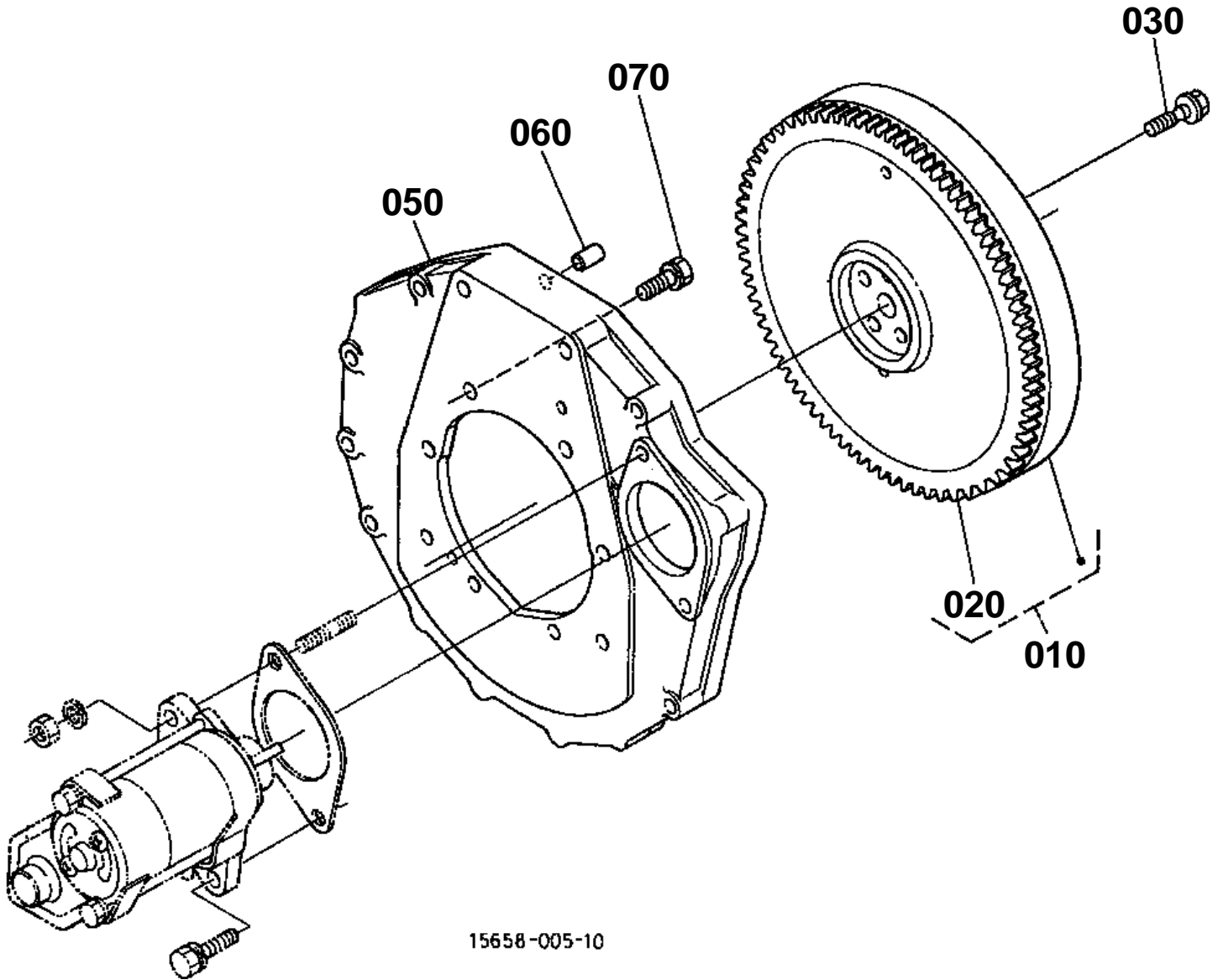


MAIN BEARING CASE

↔ Interchangeable; ≠ not interchangeable; ← new for old; → old for new

REF.No	Part No.	Description	Q'ty	S.No.	I/C	REMARKS	Weight (kgf)	Weight (lb)
010	15261-04090	ASSY CASE MAIN BRG.	1				0.8	1.76
020	15381-04540	BOLT BEARING CASE	8				0.02	0.044
030	15263-04360	GASKET BRG.CASE NA	1				0.005	0.011
040	15549-04810	COVER BEARING CASE	1				0.2	0.44
050	15263-04820	GASKET BRG.CASE COV.	1				0.001	0.0022
060	01023-50620	BOLT	9				0.006	0.0132
070	01023-50625	BOLT	8				0.007	0.0154
080	19215-04460	SEAL OIL	1				0.03	0.066
090	15261-04040	ASSY CASE MAIN BRG.	1				0.687	1.5114
100	15381-04050	ASSY CASE MAIN BRG.	1				0.688	1.5136
110	15442-04060	ASSY CASE MAIN BRG.	1				0.68	1.496
120	15381-04560	BOLT BEARING CASE	3				0.02	0.044

FLYWHEEL

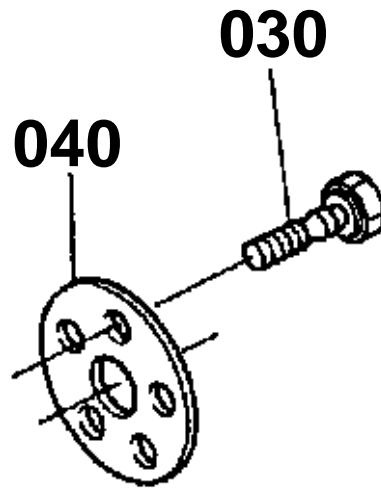


15658-005-10

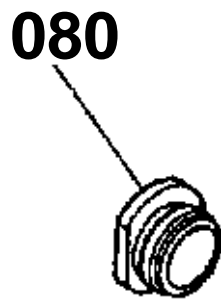
FLYWHEEL

030 15531-2516-0

040 15531-2517-0



080 67800-5119-2



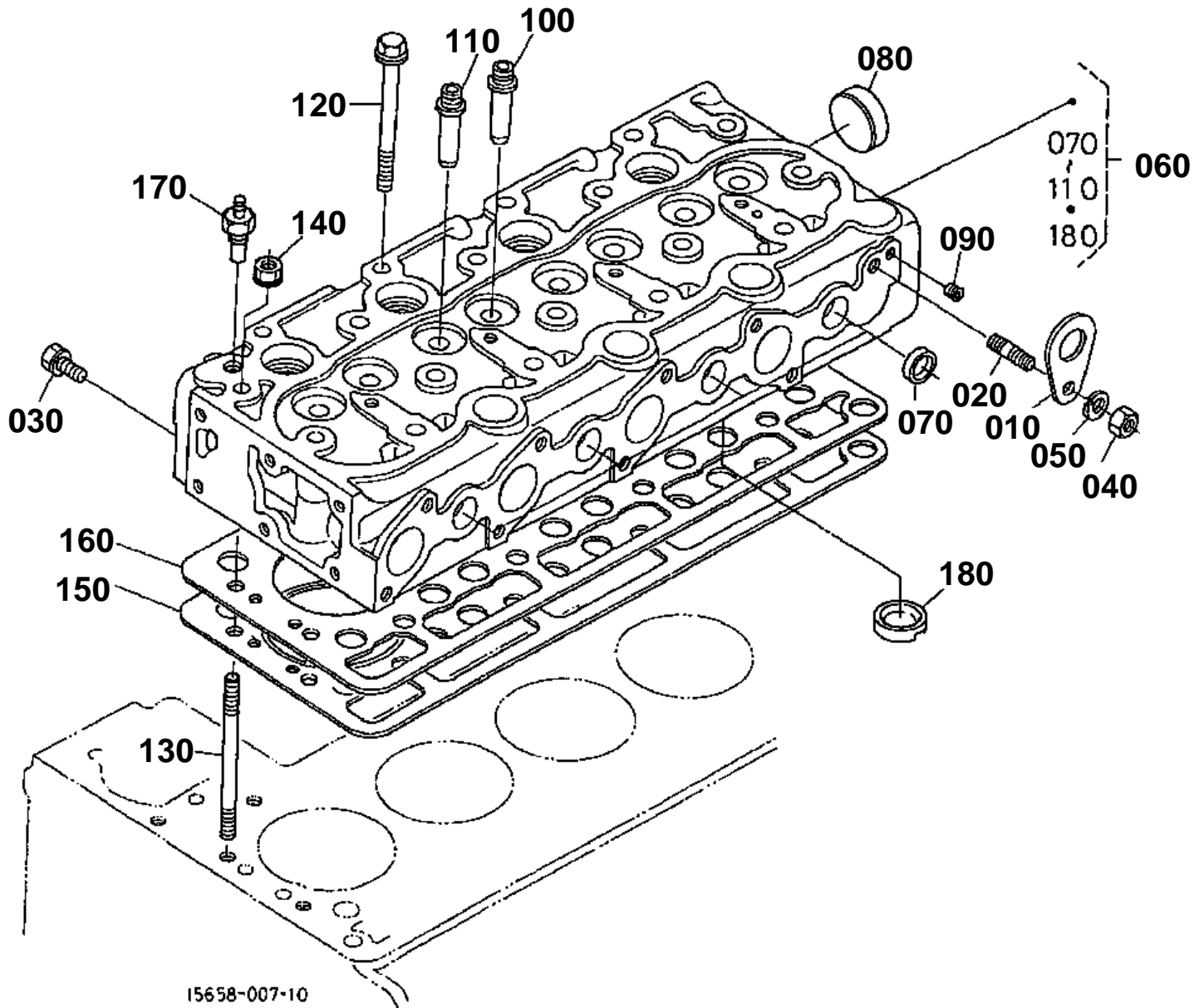
15658-800-10

**FLYWHEEL**

↔ Interchangeable; ≠ not interchangeable; ← new for old; → old for new

REF.No	Part No.	Description	Q'ty	S.No.	I/C	REMARKS	Weight (kgf)	Weight (lb)
010	15777-25012	COMP.FLYWHEEL	1				0	0
020	15231-63820	GEAR RING	1	≤831149			0	0
020	16261-63820	GEAR RING	1	≥831150	↔		0	0
030	15531-25160	BOLT FLYWHEEL	5	≤682801			0	0
030	15531-25162	BOLT FLYWHEEL	5	≥682802	≠		0.04	0.088
040	15531-25170	WASHER FLYWHEEL	1	≤682801			0.04	0.088
050	15777-04610	HOUSING FLYWHEEL	1				7.5	16.5
060	05012-00814	PIN STRAIGHT	1				0.006	0.0132
070	01133-51028	BOLT	8				0.027	0.0594
080	67800-51192	COVER TIMING HOLE	1	≤682801			0.01	0.022

CYLINDER HEAD



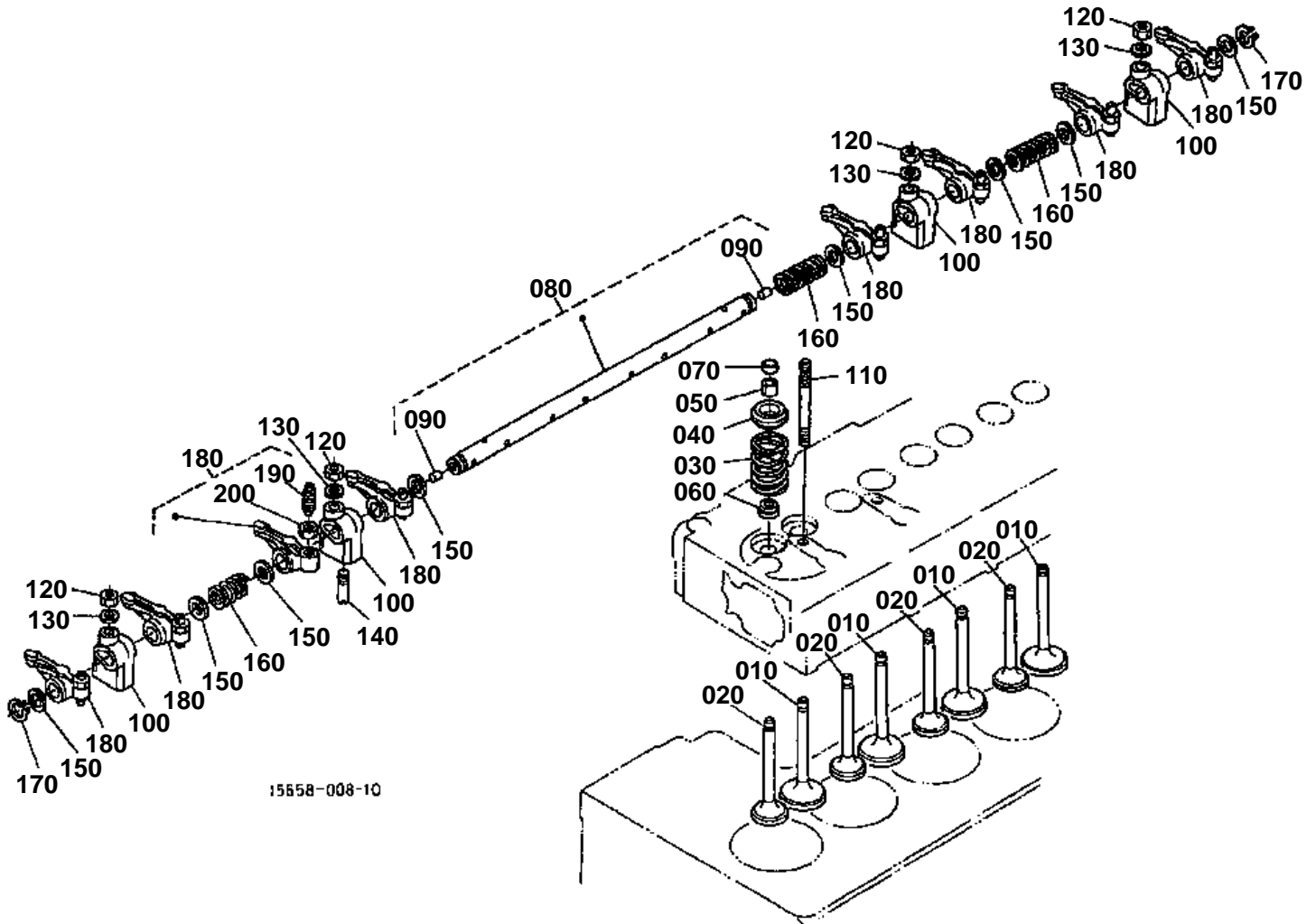


CYLINDER HEAD

↔ Interchangeable; ≠ not interchangeable; ← new for old; → old for new

REF.No	Part No.	Description	Q'ty	S.No.	I/C	REMARKS	Weight (kgf)	Weight (lb)
010	15221-01750	HOOK ENGINE	1				0.04	0.088
020	01513-50816	STUD	1				0.009	0.0198
030	01123-60816	BOLT	1				0.01	0.022
040	02156-50080	NUT	1				0.004	0.0088
050	04512-60080	WASHER SPRING	1				0.002	0.0044
060	15442-03040	COMP.CYLINDER HEAD	1				12.5	27.5
070	15261-03370	CAP SEALING	7				0.005	0.011
080	15321-96260	CAP SEALING	1				0.001	0.0022
090	15261-96010	PLUG	2				0.002	0.0044
100	15261-13540	GUIDE INLET VALVE	4				0.02	0.044
110	15261-13560	GUIDE EXHAUST VALVE	4				0.02	0.044
120	19215-03450	BOLT CYLINDER HEAD	17				0.047	0.1034
130	15532-03410	STUD CYLINDER HEAD	1				0.052	0.1144
140	19215-03512	NUT CYLINDER HEAD	1				0.009	0.0198
150	15741-03312	GASKET CYLINDER HEAD	1				0.1	0.22
160	15442-03320	SHIM CYL.HEAD GASKET	1				0.04	0.088
170	38240-32830	SWITCH THERMOMETER	1				0.03	0.066
180	15261-03140	COMBUSTION CHAMBER	4				0.023	0.0506

VALVE/ROCKER ARM



15558-008-10



VALVE/ROCKER ARM

↔ Interchangeable; ≠ not interchangeable; ← new for old; → old for new

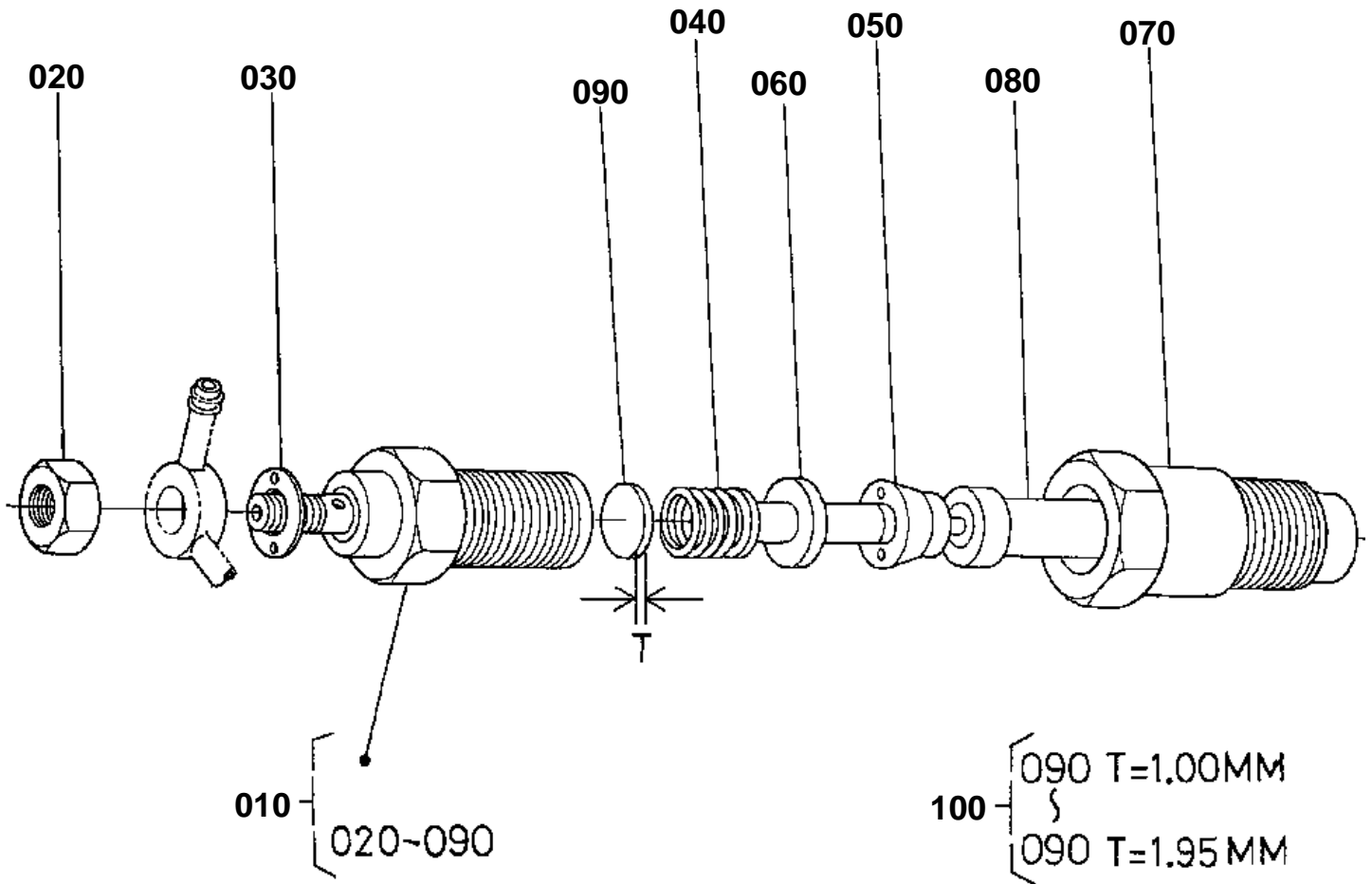
REF.No	Part No.	Description	Q'ty	S.No.	I/C	REMARKS	Weight (kgf)	Weight (lb)
010	15393-13110	VALVE INLET	4				0.048	0.1056
020	15393-13120	VALVE EXHAUST	4				0.048	0.1056
030	15261-13240	SPRING VALVE	8				0.02	0.044
040	16241-13330	RETAINER VALVE SP.	8				0.015	0.033
050	15261-13360	COLLET VALVE SPRING	8			SET	0.001	0.0022
060	15261-13150	SEAL VALVE STEM	8				0.001	0.0022
070	15261-13280	CAP VALVE	8	≤821125			0	0
070	16241-13280	CAP VALVE	8	≥821126	↔		0.005	0.011
080	15442-14050	ASSY SHAFT R-ARM	1				0.182	0.4004
090	15381-93610	SCREW SET	2	≤669962			0.001	0.0022
090	03410-50608	SCREW SET	2	≥669963	↔		0.001	0.0022
100	15381-14350	BRACKET ROCKER ARM	4				0.05	0.11
110	15952-14410	STUD	4				0	0
120	15261-92010	NUT	4				0.005	0.011
130	15261-94010	WASHER PLAIN	4				0.002	0.0044
140	15261-14420	SCREW SET.ROCKER ARM	1				0.002	0.0044
150	15261-14430	WASHER R-ARM.SHAFT	8				0.001	0.0022
160	15261-14310	SPRING ROCKER ARM	3				0.003	0.0066
170	04612-00110	CIRCLIP EXTERNAL	2				0.001	0.0022
180	15381-14030	ASSY ROCKER ARM	8	≤778923			0.05	0.11
180	15382-14030	ASSY ROCKER ARM	8	≥778924	→		0.05	0.11
190	15261-14232	SCREW ADJUSTING	8				0.006	0.0132
200	15261-14240	NUT	8				0.002	0.0044

**NOZZLE HOLDER**

↔ Interchangeable; ≠ not interchangeable; ← new for old; → old for new

REF.No	Part No.	Description	Q'ty	S.No.	I/C	REMARKS	Weight (kgf)	Weight (lb)
010	15741-42500	ASSY PIPE OVER FLOW	1				0.08	0.176
020	15531-42870	ASSY PIPE JET START	1				0.02	0.044
030	10244-42320	CLIP PIPE	2				0.001	0.0022
040	15261-53020	ASSY HOLDER NOZZLE	4	<=821125			0	0
040	19202-53020	ASSY HOLDER NOZZLE	4	>=821126	↔		0.25	0.55
050	17011-53620	GASKET	4				0.003	0.0066
060	15442-53710	PIPE INJECTION	1				0.122	0.2684
070	15442-53720	PIPE INJECTION	1				0.115	0.253
080	15442-53730	PIPE INJECTION	1				0.12	0.264
090	15442-53740	PIPE INJECTION	1				0.122	0.2684
100	15841-53850	CLAMP PIPE	3				0.01	0.022
110	15841-53860	CLAMP PIPE	3				0.009	0.0198
120	03024-50520	SCREW WITH WASHER	3				0.004	0.0088
130	15694-65510	PLUG GLOW	4				0.02	0.044
140	15261-65560	CORD GLOW PLUG	2				0.005	0.011
150	15442-65560	CORD GLOW PLUG	1				0.005	0.011
160	02761-50040	NUT FLANGE	4				0.002	0.0044
170	04013-60040	WASHER PLAIN	4				0.002	0.0044

NOZZLE HOLDER [COMPONENT PARTS]



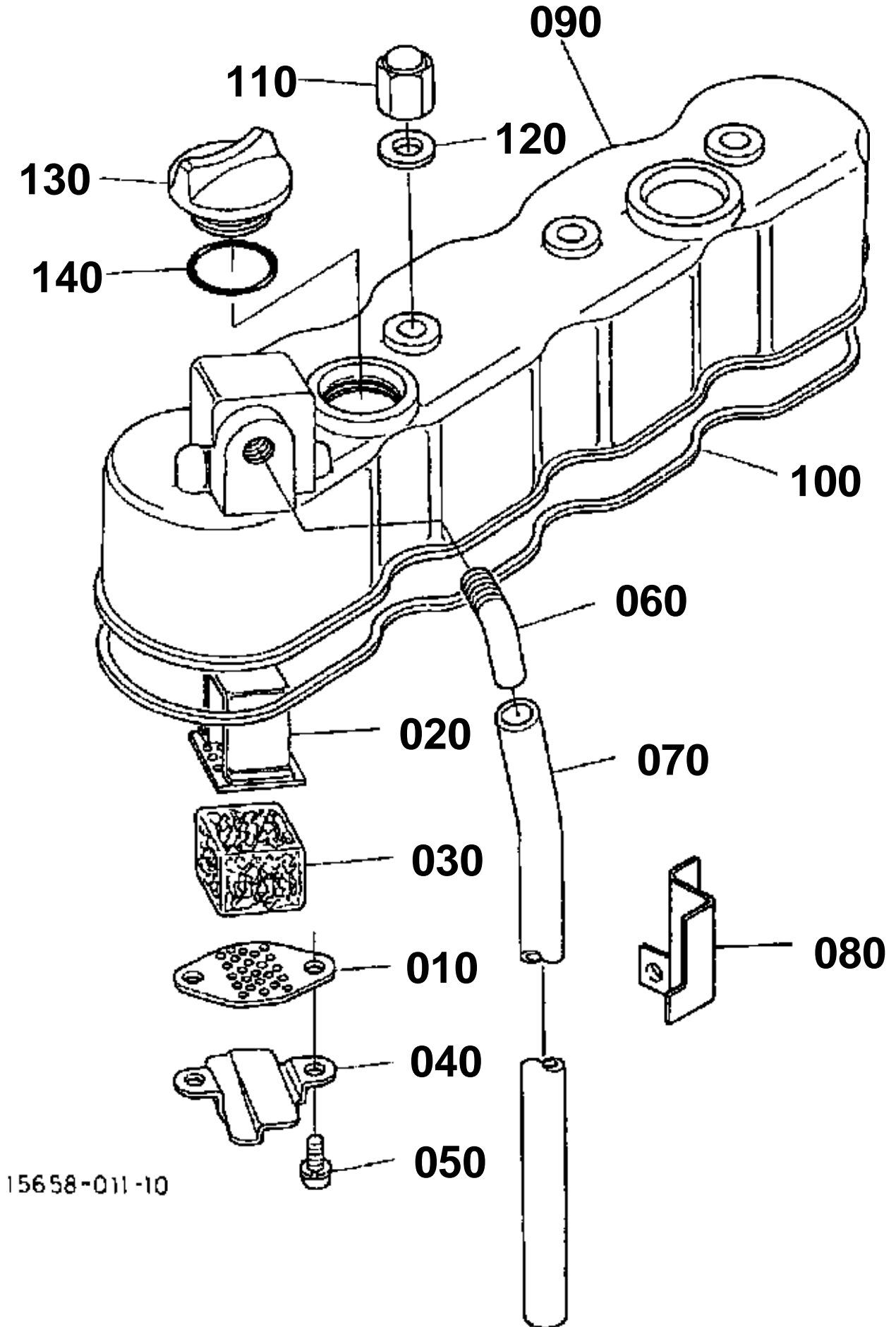
15656-009-10

**NOZZLE HOLDER [COMPONENT PARTS]**

↔ Interchangeable; ≠ not interchangeable; ← new for old; → old for new

REF.No	Part No.	Description	Q'ty	S.No.	I/C	REMARKS	Weight (kgf)	Weight (lb)
010	15261-53020	ASSY HOLDER NOZZLE	4	≤821125			0	0
010	19202-53020	ASSY HOLDER NOZZLE	4	≥821126	↔		0.25	0.55
020	15221-92020	NUT	4				0.011	0.0242
030	15221-94020	WASHER PLAIN	4				0.002	0.0044
040	15221-53170	SPRING NOZZLE	4				0.01	0.022
050	15221-53350	PIECE DISTANCE	4				0.016	0.0352
060	15221-53160	PUSH ROD	4				0.003	0.0066
070	15221-53280	NUT NOZZLE	4				0.068	0.1496
080	15021-53610	PIECE NOZZLE	4	≤821125			0	0
080	19202-53610	PIECE NOZZLE	4	≥821126	←		0.045	0.099
090	15221-98110	WASHER ADJUSTING	4			1.00MM	0.001	0.0022
090	15221-98120	WASHER ADJUSTING	4			1.05MM	0.001	0.0022
090	15221-98130	WASHER ADJUSTING	4			1.10MM	0.001	0.0022
090	15221-98140	WASHER ADJUSTING	4			1.15MM	0.001	0.0022
090	15221-98150	WASHER ADJUSTING	4			1.20MM	0.001	0.0022
090	15221-98160	WASHER ADJUSTING	4			1.25MM	0.001	0.0022
090	15221-98170	WASHER ADJUSTING	4			1.30MM	0.001	0.0022
090	15221-98180	WASHER ADJUSTING	4			1.35MM	0.001	0.0022
090	15221-98190	WASHER ADJUSTING	4			1.40MM	0.002	0.0044
090	15221-98200	WASHER ADJUSTING	4			1.45MM	0.001	0.0022
090	15221-98210	WASHER ADJUSTING	4			1.50MM	0.001	0.0022
090	15221-98220	WASHER ADJUSTING	4			1.55MM	0.003	0.0066
090	15221-98230	WASHER ADJUSTING	4			1.60MM	0.003	0.0066
090	15221-98240	WASHER ADJUSTING	4			1.65MM	0.002	0.0044
090	15221-98250	WASHER ADJUSTING	4			1.70MM	0.002	0.0044
090	15221-98260	WASHER ADJUSTING	4			1.75MM	0.002	0.0044
090	15221-98270	WASHER ADJUSTING	4			1.80MM	0.002	0.0044
090	15221-98280	WASHER ADJUSTING	4			1.85MM	0.002	0.0044
090	15221-98290	WASHER ADJUSTING	4			1.90MM	0.002	0.0044
090	15221-98300	WASHER ADJUSTING	4			1.95MM	0.003	0.0066
100	15221-98100	ASSY WASHER ADJUST	4			OPTION	0.03	0.066

CYLINDER HEAD COVER



15658-011-10

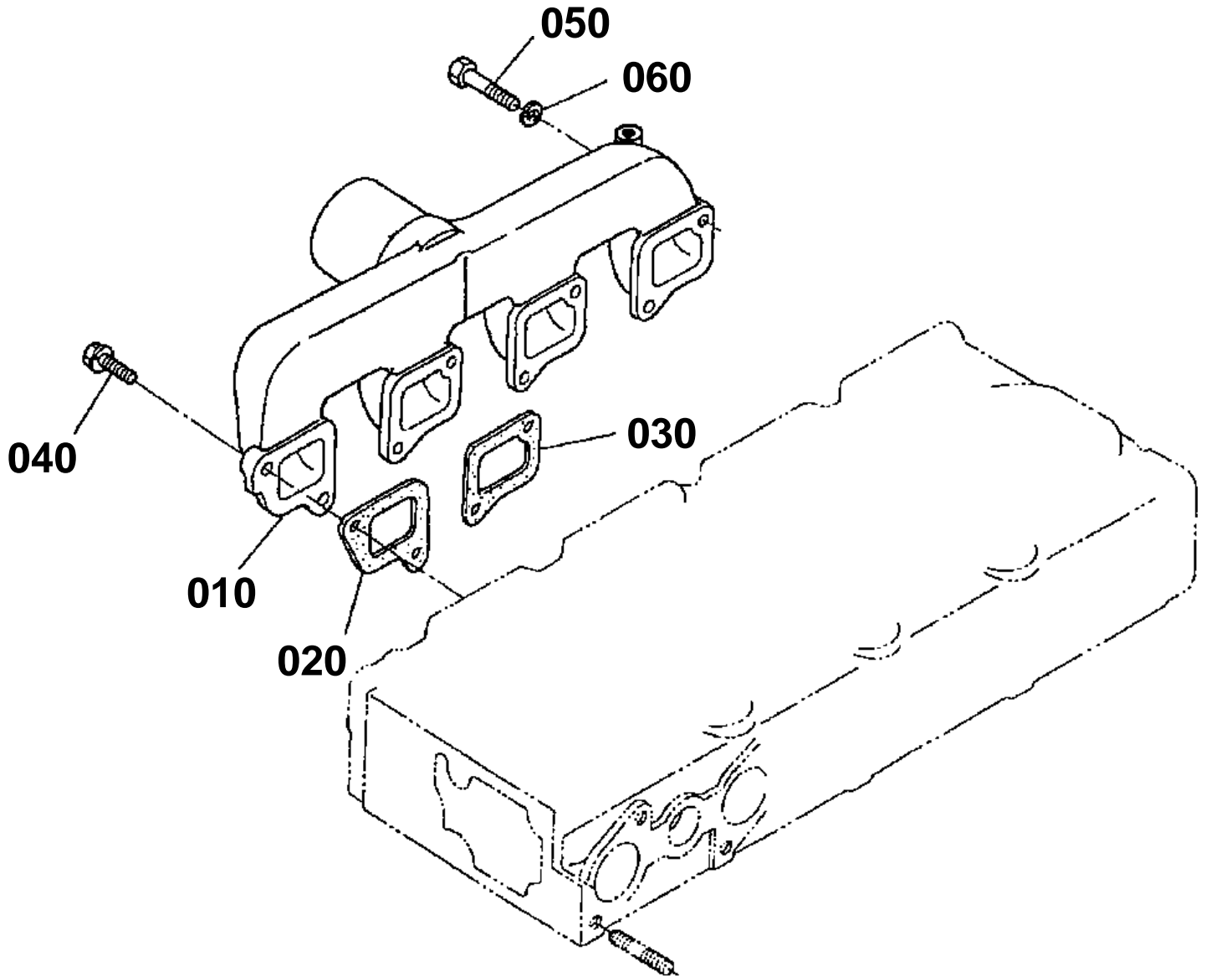


CYLINDER HEAD COVER

↔ Interchangeable; ≠ not interchangeable; ← new for old; → old for new

REF.No	Part No.	Description	Q'ty	S.No.	I/C	REMARKS	Weight (kgf)	Weight (lb)
010	15951-05140	PLATE B/THER ELEMENT	1				0.005	0.011
020	15521-05150	PLATE B/THER ELEMENT	1				0.01	0.022
030	15521-05670	ELEMENT BREATHER	1				0.01	0.022
040	15951-05370	OIL SHIELD BREATHER	1				0.005	0.011
050	03024-50510	SCREW WITH WASHER	2				0.002	0.0044
060	15521-05550	JOINT BREATHER PIPE	1				0.04	0.088
070	15261-05510	PIPE BREATHER	1				0.069	0.1518
080	15531-05580	CLAMP PIPE	1				0.019	0.0418
090	15741-14510	COVER CYL.HEAD	1				0.77	1.694
100	15442-14520	GASKET HEAD COVER	1				0.009	0.0198
110	15952-92330	NUT CAP	4				0.01	0.022
120	15951-96660	GASKET	4				0.001	0.0022
130	15221-33140	PLUG OIL FILLER	1	≤834110			0.038	0.0836
130	15852-33140	PLUG OIL FILLER	1	≥834111	↔		0.038	0.0836
140	04811-50300	O RING	1				0	0

INLET MANIFOLD



15658-012-10

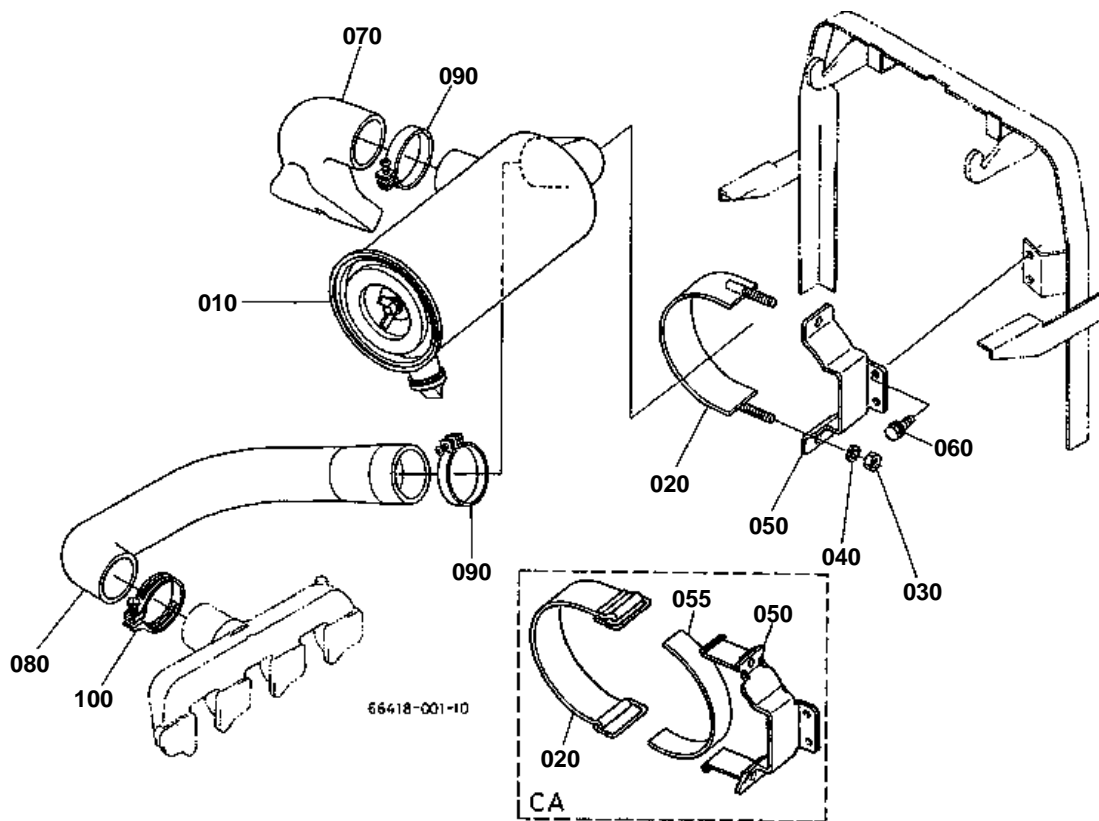


INLET MANIFOLD

↔ Interchangeable; ≠ not interchangeable; ← new for old; → old for new

REF.No	Part No.	Description	Q'ty	S.No.	I/C	REMARKS	Weight (kgf)	Weight (lb)
010	15657-11760	MANIFOLD INLET	1				0.58	1.276
020	19087-11820	GASKET IN-MANIFOLD	1				0.001	0.0022
030	15263-11830	GASKET IN-MANIFOLD	3				0.001	0.0022
040	01023-50620	BOLT	5				0.006	0.0132
050	01053-50645	BOLT	3				0.012	0.0264
060	04512-60060	WASHER SPRING	3				0.001	0.0022

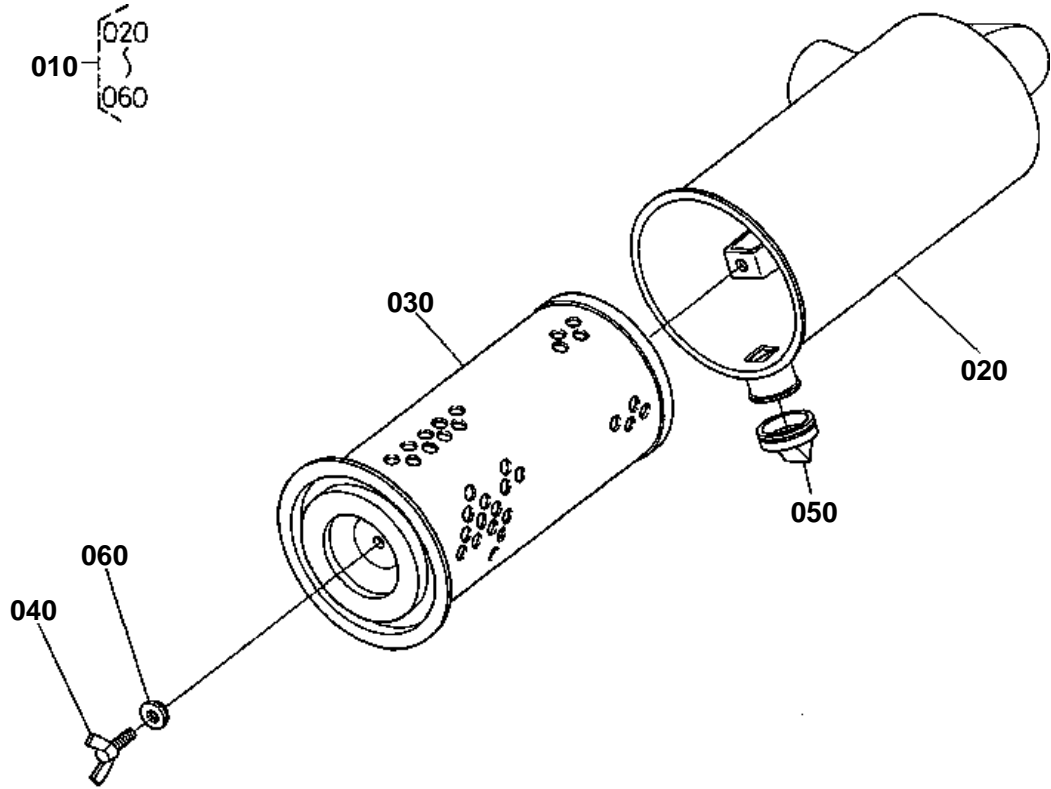
AIR CLEANER



**AIR CLEANER**

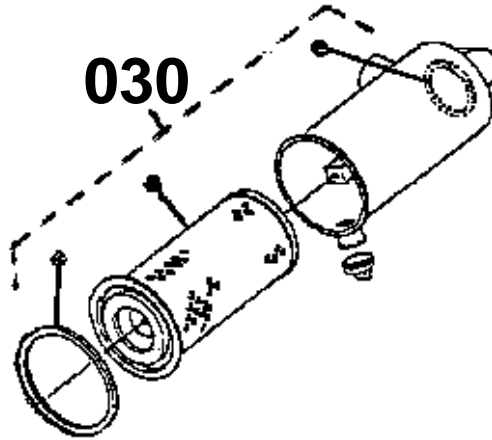
↔ Interchangeable; ≠ not interchangeable; ← new for old; → old for new

REF.No	Part No.	Description	Q'ty	S.No.	I/C	REMARKS	Weight (kgf)	Weight (lb)
010	66418-58210	ASSY CLEANER AIR	1				1.78	3.916
020	31351-13920	BAND AIR CLEANER	1			[A] [AU] [NZ]	0.16	0.352
030	02114-50080	NUT	2			[A] [AU] [NZ]	0.005	0.011
040	04512-60080	WASHER SPRING	2			[A] [AU] [NZ]	0.002	0.0044
050	31351-13910	SUPPORT AIR CLEANER	1			[A] [AU] [NZ]	0.25	0.55
060	01754-50816	BOLT FLANGE	2				0.011	0.0242
070	37410-88422	PIPE INLET	1				0.085	0.187
080	66418-58270	PIPE INLET	1				0.5	1.1
090	15221-11720	BAND PIPE	2				0.03	0.066
100	15401-11720	BAND PIPE	1	≤10227			0.03	0.066
100	67980-58280	CLAMP HOSE	1	≥10228	↔		0.03	0.066



66418-002-10

030 15741-1108-0



66418-811-10

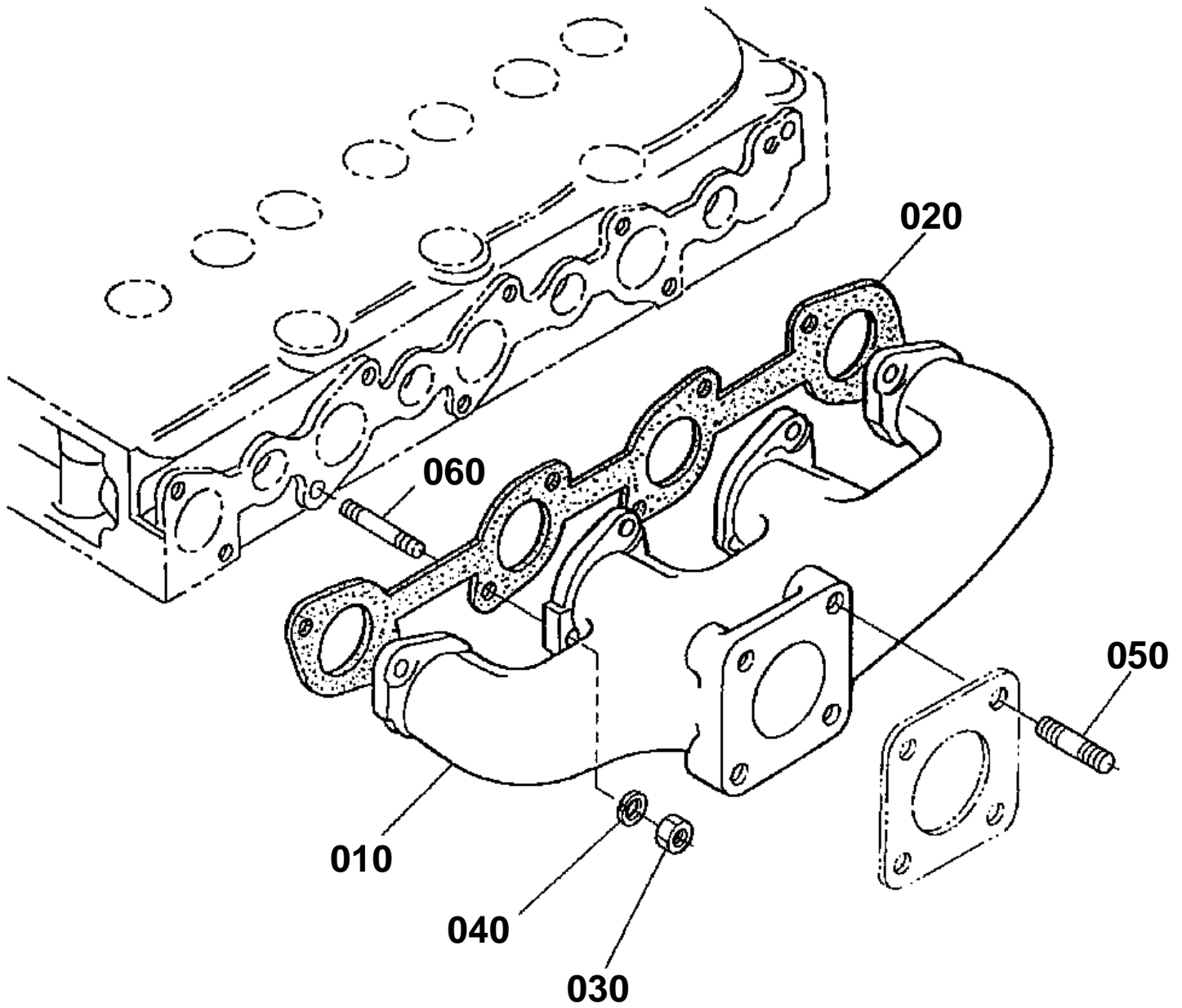


AIR CLEANER [COMPONENT PARTS]

↔ Interchangeable; ≠ not interchangeable; ← new for old; → old for new

REF.No	Part No.	Description	Q'ty	S.No.	I/C	REMARKS	Weight (kgf)	Weight (lb)
010	66418-58210	ASSY CLEANER AIR	1				1.78	3.916
020	66418-58220	BODY AIR CLEANER	1				1.15	2.53
030	15741-11080	ASSY ELEMENT A/C	1	≤10227			0	0
030	15741-11083	ASSY ELEMENT A/C	1	≥10228	←		0.68	1.496
040	15741-92620	BOLT WING	1				0.02	0.044
050	15741-11470	VALVE	1				0.01	0.022
060	15741-94430	ASSY GASKET	1				0.01	0.022

EXHAUST MANIFOLD



15658-013-10

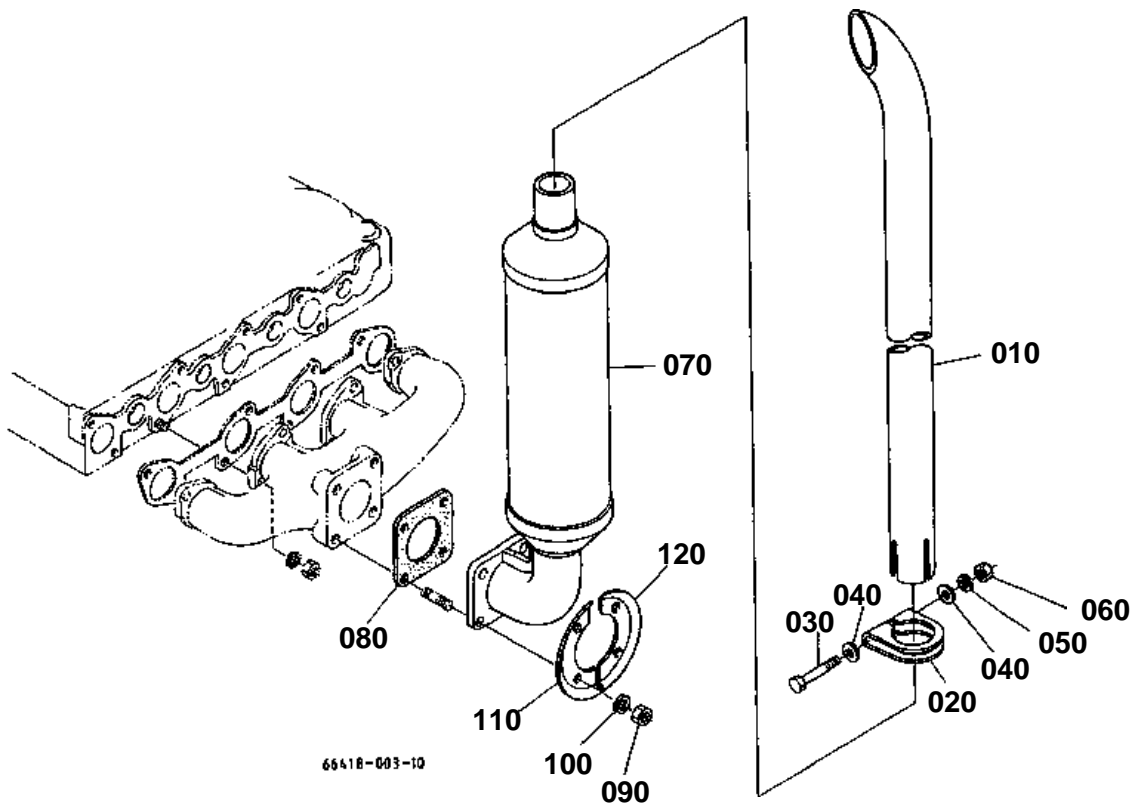


EXHAUST MANIFOLD

↔ Interchangeable; ≠ not interchangeable; ← new for old; → old for new

REF.No	Part No.	Description	Q'ty	S.No.	I/C	REMARKS	Weight (kgf)	Weight (lb)
010	15741-12310	MANIFOLD EXHAUST	1				1.77	3.894
020	19087-12360	GASKET EX-MANIFOLD	1				0.023	0.0506
030	02056-50060	NUT	8				0.002	0.0044
040	04512-60060	WASHER SPRING	8				0.001	0.0022
050	01513-50822	STUD	4				0.01	0.022
060	15381-91532	STUD	8				0.005	0.011

MUFFLER

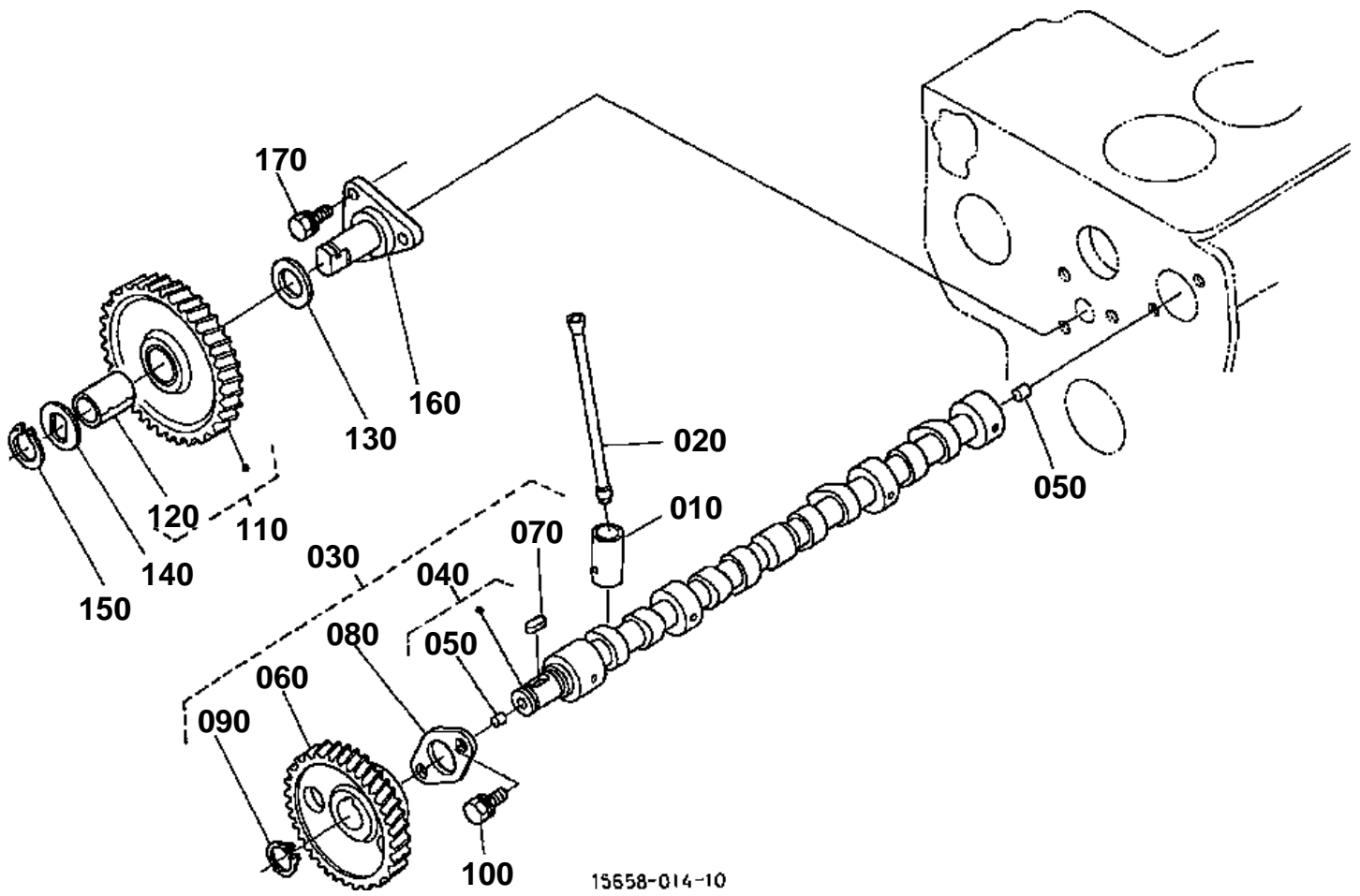


**MUFFLER**

↔ Interchangeable; ≠ not interchangeable; ← new for old; → old for new

REF.No	Part No.	Description	Q'ty	S.No.	I/C	REMARKS	Weight (kgf)	Weight (lb)
010	67800-53410	PIPE MUFFLER	1				0.57	1.254
020	67800-53420	BAND PIPE	1				0.04	0.088
030	01153-50865	BOLT	1				0.025	0.055
040	04013-50080	WASHER PLAIN	2				0	0
050	04512-60080	WASHER SPRING	1				0.002	0.0044
060	02114-50080	NUT	1				0.005	0.011
070	66361-54512	COMP.MUFFLER	1				3.5	7.7
080	15263-12370	GASKET MUFFLER	1				0.015	0.033
090	02156-50080	NUT	4				0.004	0.0088
100	04512-60080	WASHER SPRING	4				0.002	0.0044
110	66416-54520	COVER MUFFLER LH	1				0.02	0.044
120	66416-54530	COVER MUFFLER RH	1				0.025	0.055

CAMSHAFT



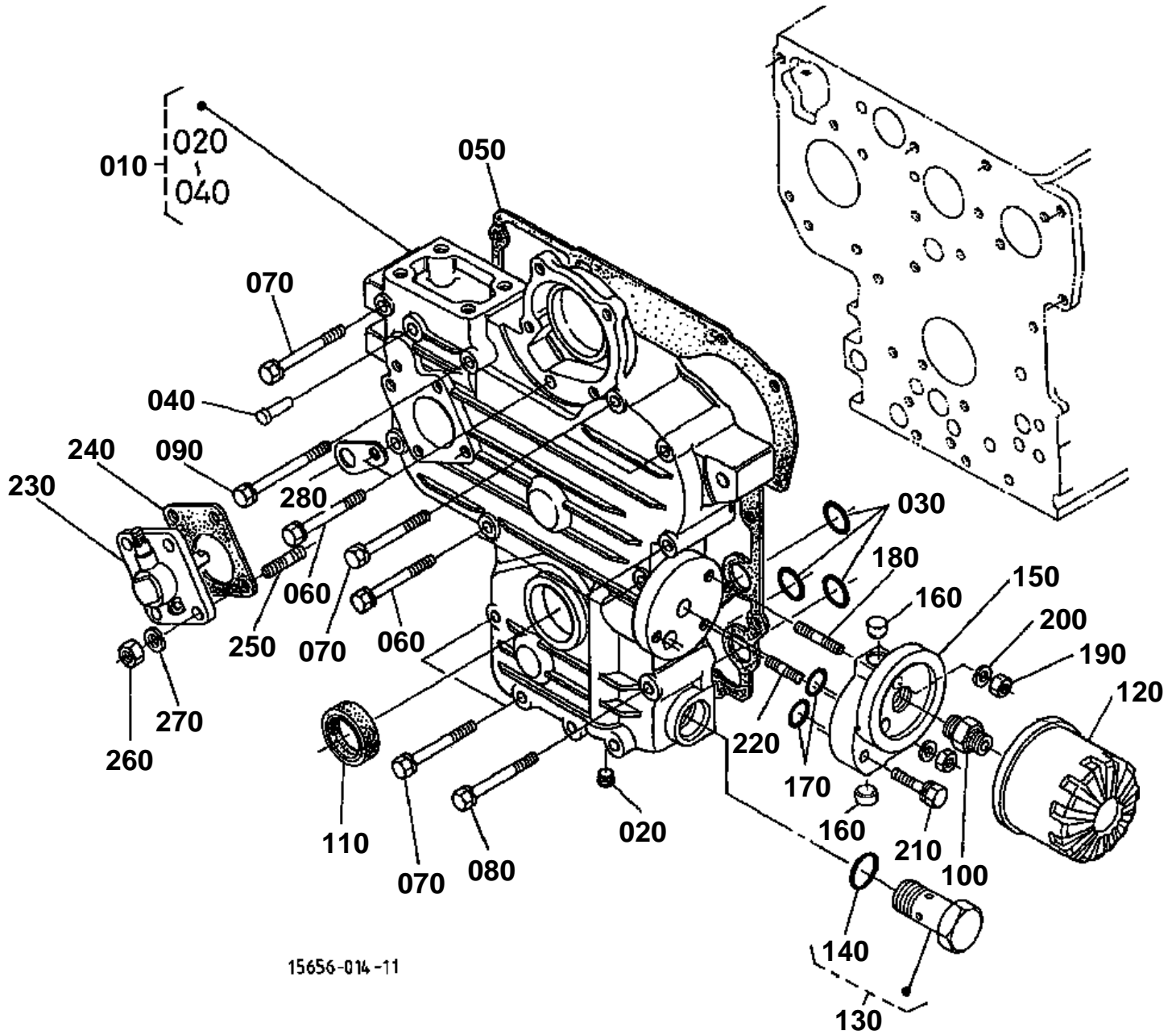
15658-014-10

**CAMSHAFT**

↔ Interchangeable; ≠ not interchangeable; ← new for old; → old for new

REF.No	Part No.	Description	Q'ty	S.No.	I/C	REMARKS	Weight (kgf)	Weight (lb)
010	15261-15550	TAPPET	8				0.03	0.066
020	15261-15110	PUSH ROD	8				0.022	0.0484
030	15442-16010	ASSY CAMSHAFT	1				1.61	3.542
040	15442-16110	ASSY CAMSHAFT	1				1.22	2.684
050	15261-96880	PLUG	2				0.002	0.0044
060	15261-16510	GEAR CAM	1				0.354	0.7788
070	05712-00515	KEY FEATHER	1				0.003	0.0066
080	15261-16270	STOPPER CAMSHAFT	1				0.034	0.0748
090	04612-00180	CIRCLIP EXTERNAL	1				0.001	0.0022
100	01023-50614	BOLT	2				0.005	0.011
110	15741-24010	COMP GEAR IDLE	1				0.64	1.408
120	15741-24980	BUSH IDLE GEAR	1				0.03	0.066
130	15741-24360	COLLAR IDLE GEAR	1				0.04	0.088
140	15741-24370	COLLAR IDLE GEAR	1				0.015	0.033
150	15741-24320	CIR CLIP IDLE GEAR	1				0.01	0.022
160	15741-24250	SHAFT IDLE GEAR	1				0.35	0.77
170	01023-50616	BOLT	3				0.005	0.011

GEAR CASE



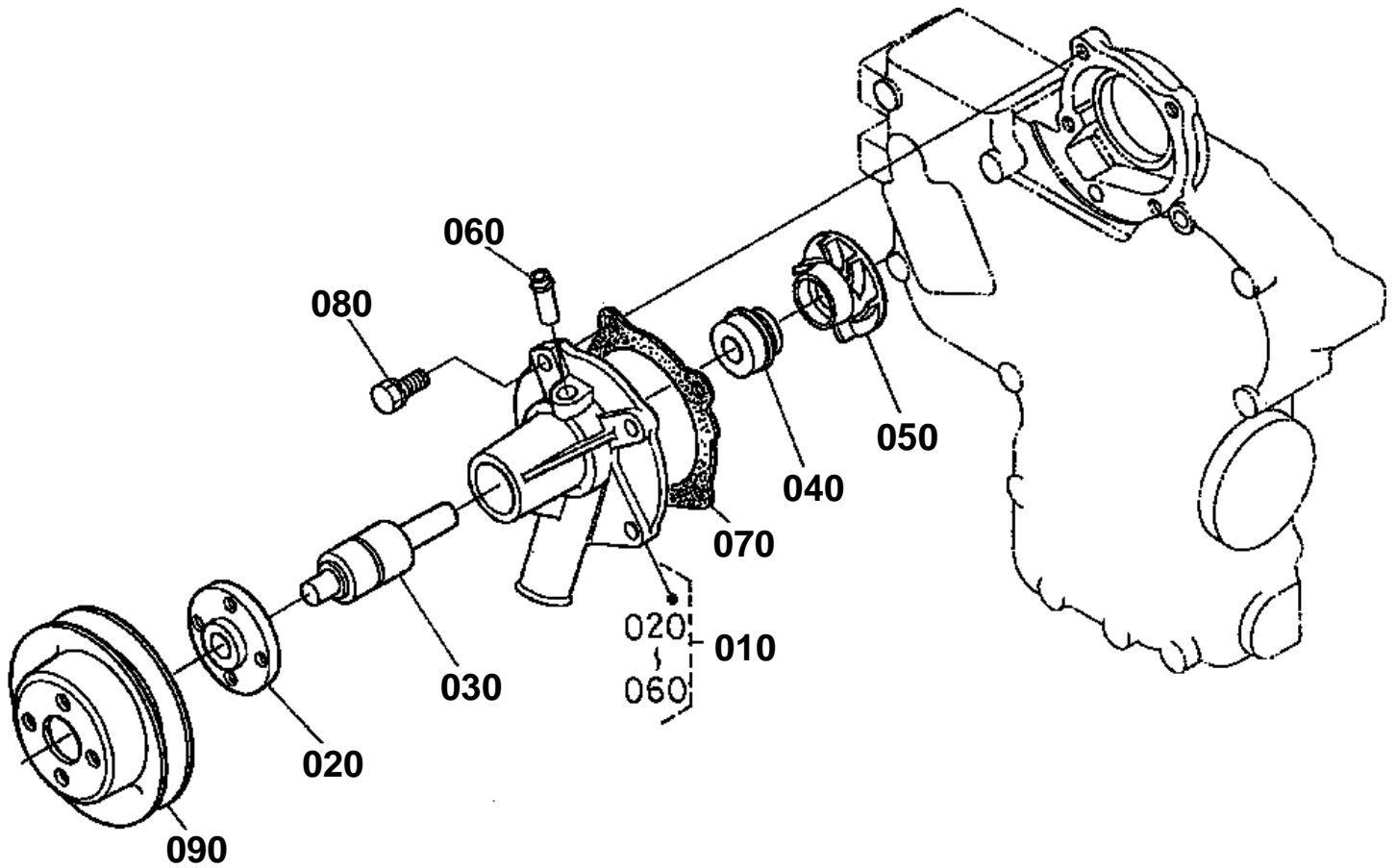
15656-014 -11

**GEAR CASE**

↔ Interchangeable; ≠ not interchangeable; ← new for old; → old for new

REF.No	Part No.	Description	Q'ty	S.No.	I/C	REMARKS	Weight (kgf)	Weight (lb)
010	15532-04022	COMP.CASE GEAR	1	<=755814			0	0
010	15532-04023	COMP.CASE GEAR	1	>=755815	←		1.9	4.18
020	15261-96020	PLUG	2	<=775308			0	0
020	16851-96010	PLUG	2	>=775309	↔		0.015	0.033
030	04811-06130	O RING	3				0	0
040	15221-56280	PIN START SPRING	1				0.006	0.0132
050	15676-04130	GASKET GEAR CASE NA	1				0.01	0.022
060	01023-50660	BOLT	5			[CA]	0.01	0.022
060	01023-50660	BOLT	7			[A] [AU] [NZ]	0.01	0.022
070	01023-50665	BOLT	5			[A] [AU] [NZ]	0.015	0.033
070	01023-50665	BOLT	7			[CA]	0.015	0.033
080	01023-60670	BOLT	1				0.015	0.033
090	01023-50675	BOLT	1				0.01	0.022
100	15241-32290	JOINT PIPE	1				0.053	0.1166
110	15841-04140	SEAL OIL	1				0	0
120	15241-32090	ASSY CARTRIDGE OIL	1				0.35	0.77
130	15261-36070	ASSY VALVE RELIEF	1				0.078	0.1716
140	04810-00150	O RING	1				0	0
150	15531-32310	SUPPORT OIL FILTER	1				0.215	0.473
160	15531-33640	PLUG	2				0.006	0.0132
170	04811-05140	O RING	2				0	0
180	15221-88210	STUD	1				0.005	0.011
190	02056-50060	NUT	2				0.002	0.0044
200	04512-60060	WASHER SPRING	2				0.001	0.0022
210	01023-50630	BOLT	1				0.008	0.0176
220	15531-91490	STUD	1				0.007	0.0154
230	38240-34660	ASSY GEAR CASE H/M	1				0.335	0.737
240	15296-88130	GASKET H/METER UNIT	1				0.002	0.0044
250	15221-88210	STUD	4				0.005	0.011
260	02056-50060	NUT	4				0.002	0.0044
270	04512-60060	WASHER SPRING	4				0.001	0.0022
280	15531-72960	CLAMP PIPE	1				0.005	0.011

WATER PUMP

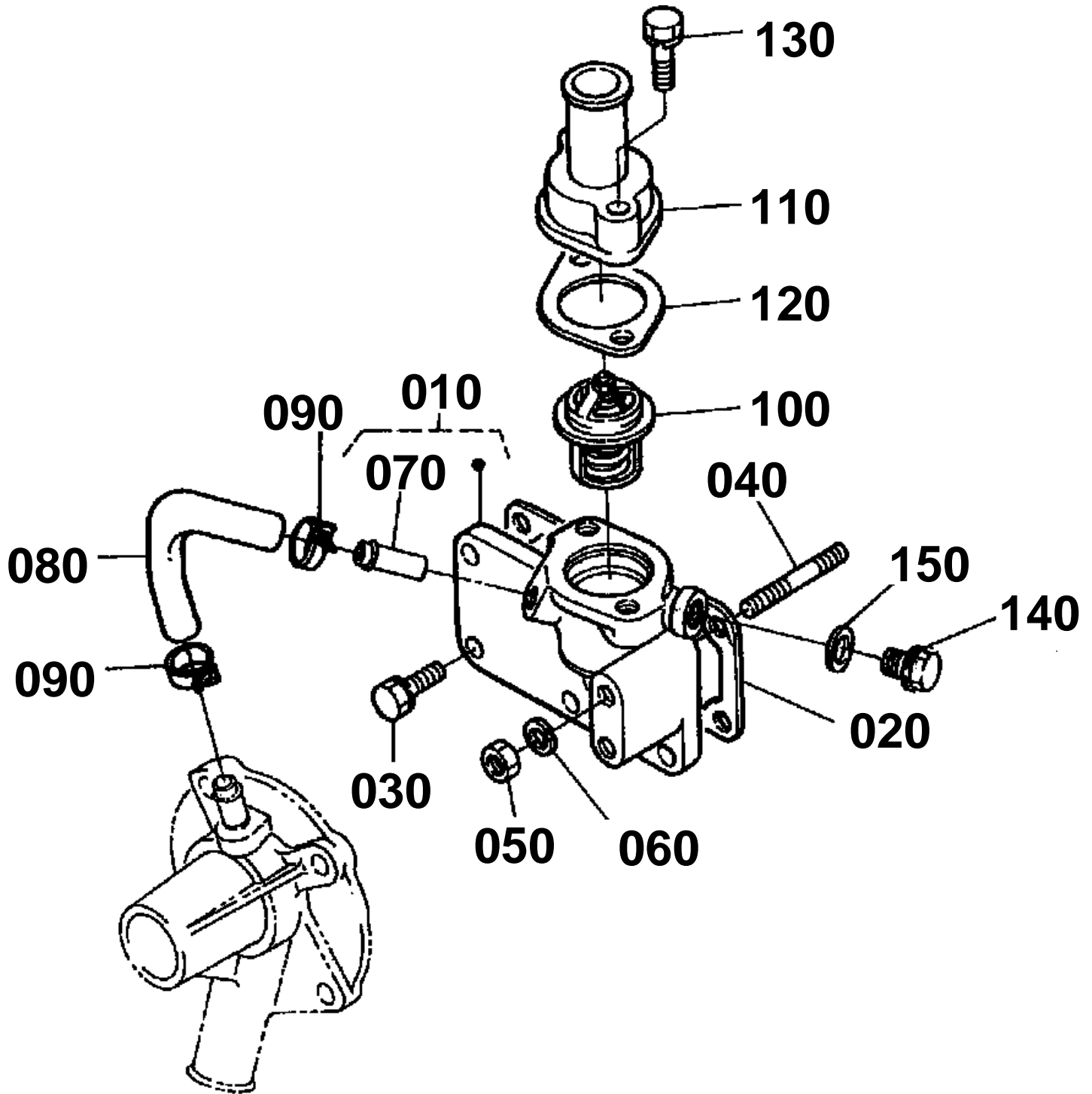


15682-006-10

**WATER PUMP**

↔ Interchangeable; ≠ not interchangeable; ← new for old; → old for new

REF.No	Part No.	Description	Q'ty	S.No.	I/C	REMARKS	Weight (kgf)	Weight (lb)
010	15752-73033	ASSY PUMP WATER	1	≤651889			0	0
010	15534-73030	ASSY PUMP WATER	1	≥651890	↔		0.7	1.54
020	15752-73520	FLANGE WATER PUMP	1	≤651889			0	0
020	15534-73520	FLANGE WATER PUMP	1	≥651890	≠		0.16	0.352
030	15752-73550	BEARING	1	≤651889			0	0
030	15534-73550	BEARING	1	≥651890	≠		0.15	0.33
040	19298-73050	ASSY SEAL MECHANICAL	1	≤651889			0.016	0.0352
040	15852-73050	ASSY SEAL MECHANICAL	1	≥651890	≠		0.005	0.011
050	15531-73510	IMPELLER WATER PUMP	1	≤651889			0.112	0.2464
050	15443-73510	IMPELLER WATER PUMP	1	≥651890	≠		0.12	0.264
060	16241-73340	PIPE WATER RETURN	1	≤651889			0.006	0.0132
060	15852-73340	PIPE WATER RETURN	1	≥651890	≠		0.02	0.044
070	15676-73430	GASKET WATER PUMP NA	1				0.005	0.011
080	01023-50625	BOLT	4				0.007	0.0154
090	15531-74250	PULLEY FAN	1				0.21	0.462



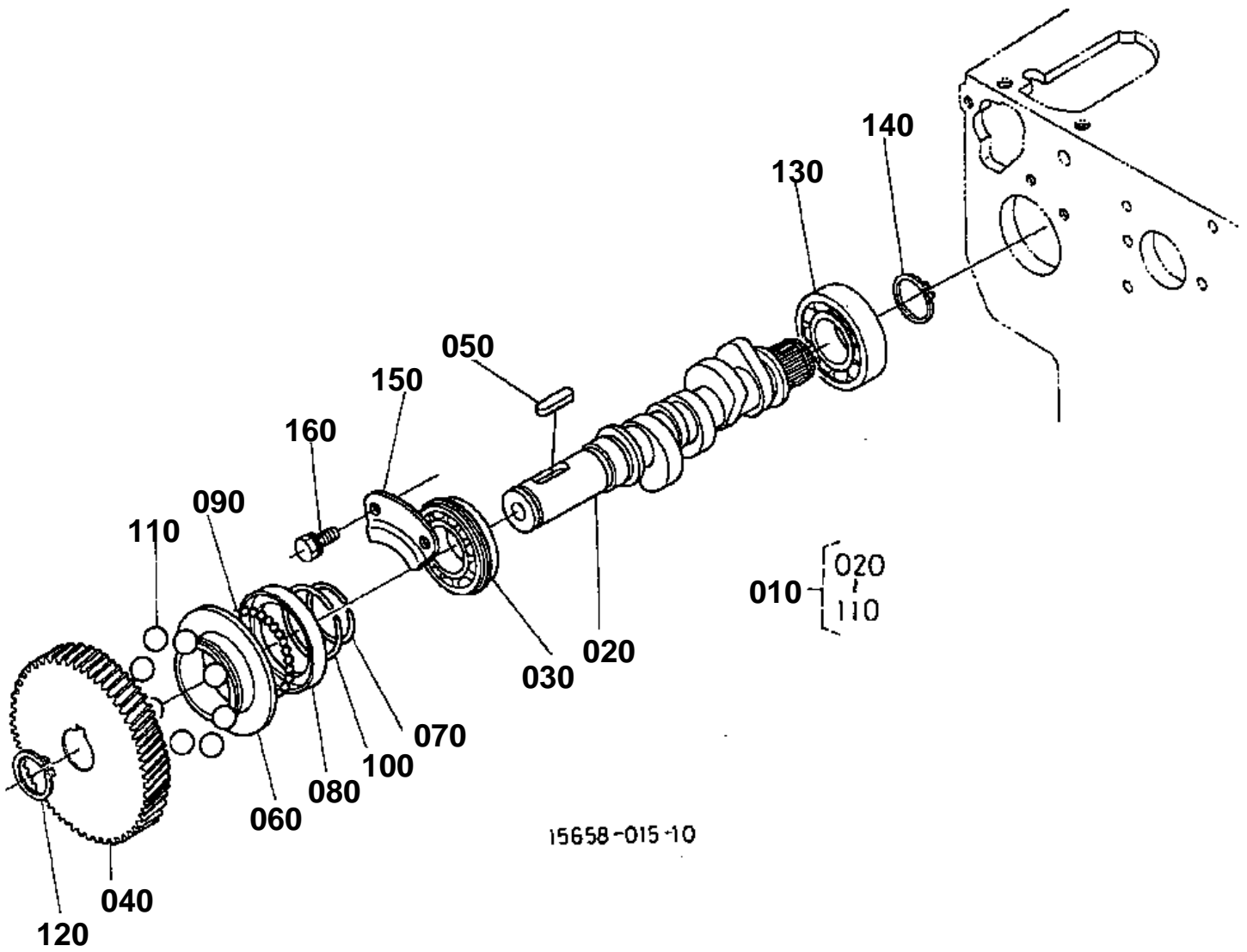
15682-007-10

**WATER FLANGE/THERMOSTAT**

↔ Interchangeable; ≠ not interchangeable; ← new for old; → old for new

REF.No	Part No.	Description	Q'ty	S.No.	I/C	REMARKS	Weight (kgf)	Weight (lb)
010	15582-72700	COMP.FLANGE WATER	1				0.25	0.55
020	15263-72920	GASKET WATER FLANGE	1				0.003	0.0066
030	01023-50616	BOLT	5				0.005	0.011
040	01513-50655	STUD	1				0.013	0.0286
050	02056-50060	NUT	1				0.002	0.0044
060	04512-60060	WASHER SPRING	1				0.001	0.0022
070	16241-73340	PIPE WATER RETURN	1	≤801709			0.006	0.0132
070	16241-73370	PIPE WATER RETURN	1	≥801710	≠		0.007	0.0154
080	15531-73350	PIPE WATER RETURN	1				0.02	0.044
090	15531-73360	BAND PIPE	2	≤669962			0.007	0.0154
090	16241-73360	BAND PIPE	2	≥669963	↔		0.003	0.0066
100	15531-73010	ASSY THERMOSTAT	1				0.063	0.1386
110	15531-73260	COVER THERMOSTAT	1				0.068	0.1496
120	15531-73270	GASKET	1	≤805384			0	0
120	15676-73270	GASKET THERMOSTAT	1	≥805385	↔		0.005	0.011
130	01023-50635	BOLT	2				0.01	0.022
140	06311-25030	PLUG	1				0.051	0.1122
150	04724-00170	GASKET	1				0.005	0.011

FUEL CAMSHAFT



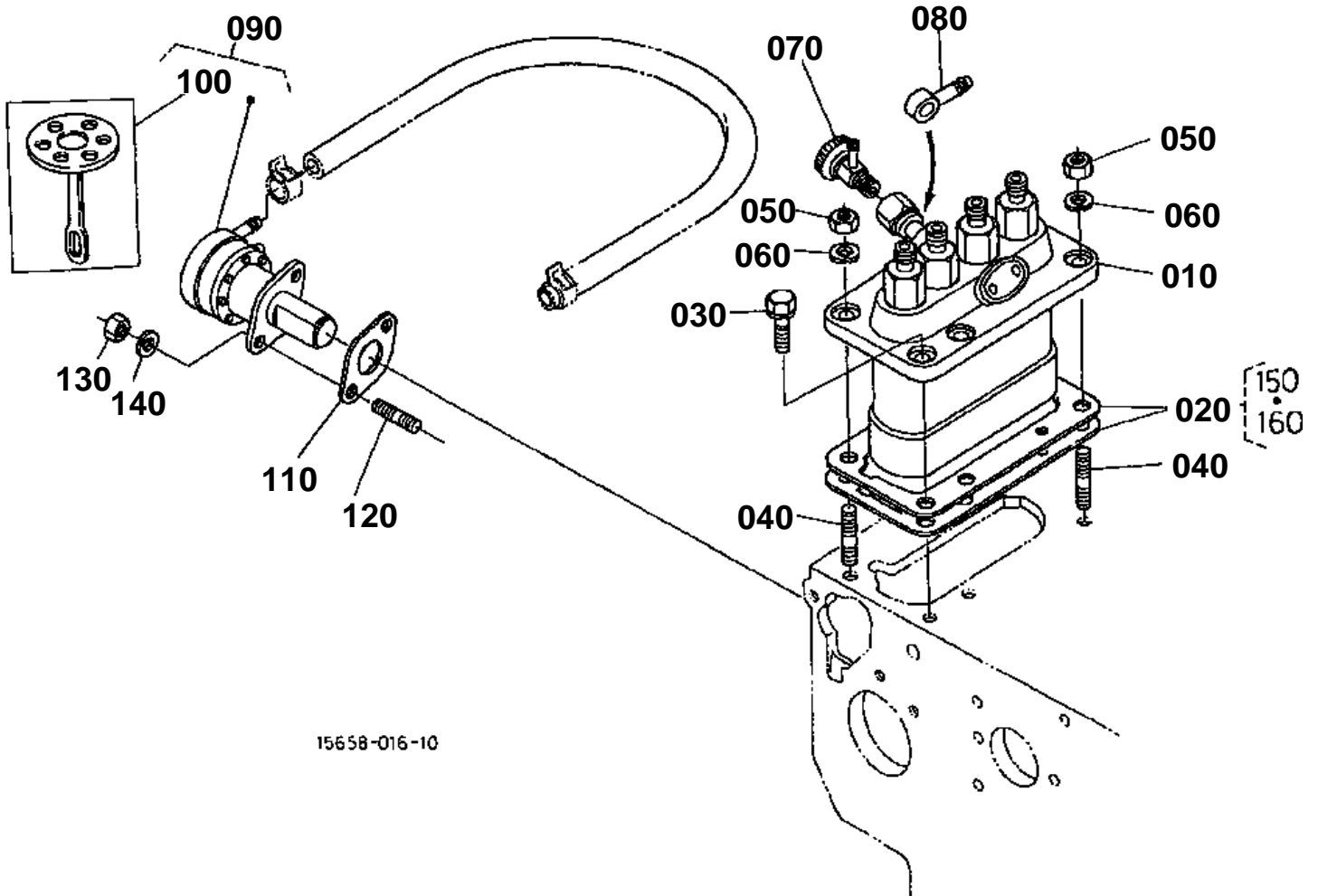
15658-015-10

**FUEL CAMSHAFT**

↔ Interchangeable; ≠ not interchangeable; ← new for old; → old for new

REF.No	Part No.	Description	Q'ty	S.No.	I/C	REMARKS	Weight (kgf)	Weight (lb)
010	15741-16020	ASSY CAMSHAFT FUEL	1				1.32	2.904
020	15741-16170	CAMSHAFT FUEL	1				0.6	1.32
030	08153-06004	BEARING BALL	1				0.07	0.154
040	15549-51150	GEAR INJECTION PUMP	1				0.475	1.045
050	05712-00520	KEY FEATHER	1				0.004	0.0088
060	15261-55450	SLEEVE GOVERNOR	1				0.058	0.1276
070	15261-55470	CIR-CLIP GOV. SLEEVE	1				0.002	0.0044
080	15549-55690	CASE GOVERNOR BALL	1				0.62	1.364
090	07715-03205	BALL	30				0.001	0.0022
100	15261-55740	CIR-CLIP	1				0.002	0.0044
110	07715-03217	BALL	8				0.01	0.022
120	04612-00180	CIRCLIP EXTERNAL	1				0.001	0.0022
130	08103-06004	BEARING BALL	1				0.066	0.1452
140	04612-00200	CIRCLIP EXTERNAL	1				0.001	0.0022
150	15261-16320	STOPPER FUEL.C/SHAFT	1				0.037	0.0814
160	01023-50612	BOLT	2				0.005	0.011

INJECTION PUMP



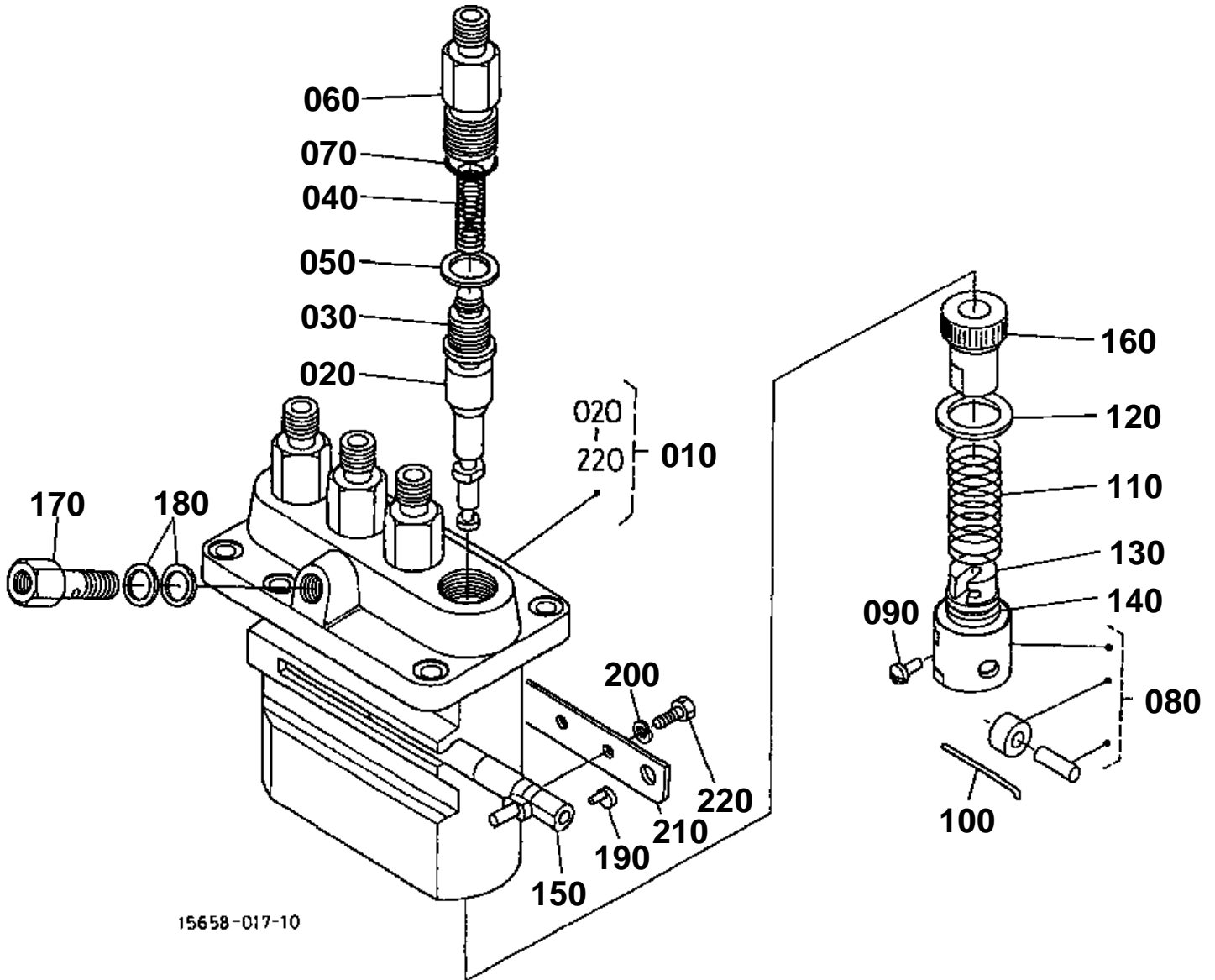
15658-016-10



INJECTION PUMP

↔ Interchangeable; ≠ not interchangeable; ← new for old; → old for new

REF.No	Part No.	Description	Q'ty	S.No.	I/C	REMARKS	Weight (kgf)	Weight (lb)
010	15442-51010	ASSY PUMP INJECTION	1				2.85	6.27
020	15741-52100	ASSY SHIM INJECTION	1				0.05	0.11
030	01123-50822	BOLT	4				0.012	0.0264
040	15221-91530	STUD	2				0.011	0.0242
050	02156-50080	NUT	2				0.004	0.0088
060	04512-60080	WASHER SPRING	2				0.002	0.0044
070	14311-60504	ASSY COCK JET START	1				0.034	0.0748
080	15401-95690	JOINT EYE	1				0.04	0.088
090	15263-52030	ASSY PUMP FUEL	1				0.23	0.506
100	15263-52040	COMP.DIAPHRAGM NA	1				0.02	0.044
110	15263-52140	GASKET FUEL PUMP NA	1				0	0
120	01513-50616	STUD	2				0.004	0.0088
130	02056-50060	NUT	2				0.002	0.0044
140	04512-60060	WASHER SPRING	2				0.001	0.0022



15658-017-10

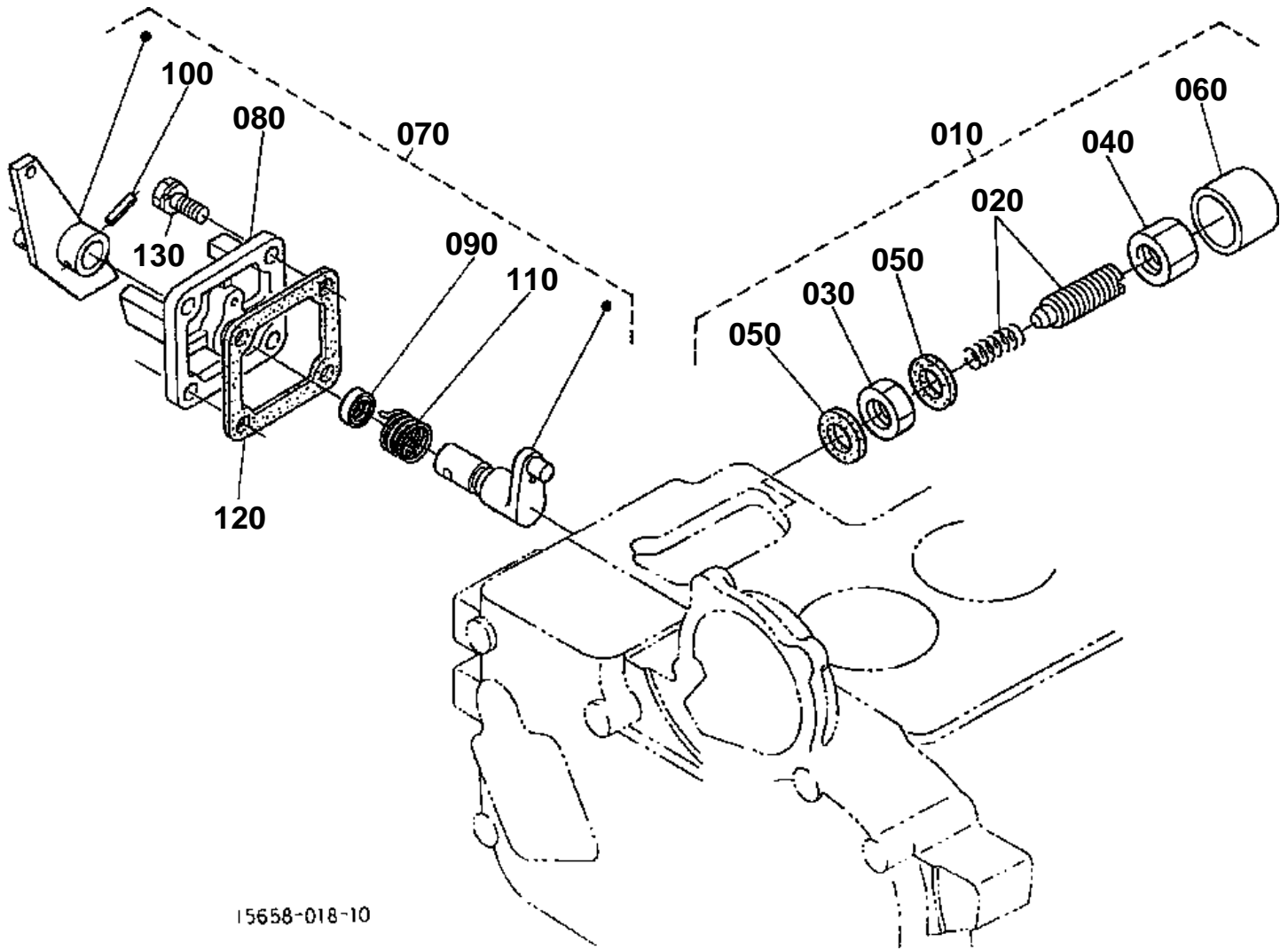


INJECTION PUMP [COMPONENT PARTS]

↔ Interchangeable; ≠ not interchangeable; ← new for old; → old for new

REF.No	Part No.	Description	Q'ty	S.No.	I/C	REMARKS	Weight (kgf)	Weight (lb)
010	15442-51010	ASSY PUMP INJECTION	1				2.85	6.27
020	15261-51050	PLUNGER PUMP	4				0.04	0.088
030	15261-51030	VALVE DELIVERY	4				0.011	0.0242
040	15331-51230	SPRING DELIV.VALVE	4				0.001	0.0022
050	15331-51240	GASKET DELIV.VALVE	4				0.001	0.0022
060	15331-51220	HOLDER DELIV.VALVE	4				0.053	0.1166
070	15331-96760	O RING	4				0.001	0.0022
080	15331-51070	ASSY TAPPET	4				0.036	0.0792
090	15331-51250	PIN TAPPET GUIDE	4				0.001	0.0022
100	15331-51430	PIN CLAMP	1				0.001	0.0022
110	17331-51280	SPRING PLUNGER	4				0.017	0.0374
120	15331-51270	SEAT SPRING UPPER	4				0.001	0.0022
130	15331-51290	SEAT SPRING LOWER	4				0.001	0.0022
140	15381-51490	SHIM	4				0.008	0.0176
150	15442-51060	RACK CONTROL	1				0.056	0.1232
160	15331-51380	SLEEVE CONTROL	4				0.012	0.0264
170	15471-51320	SCREW FOLLOW	1				0.032	0.0704
180	15401-96650	GASKET	2				0.001	0.0022
190	15331-51480	COLLAR	2				0.005	0.011
200	15381-94090	WASHER SPRING	2				0.002	0.0044
210	15381-51390	PLATE ADJUSTING	1				0.008	0.0176
220	15331-91010	BOLT	2				0.034	0.0748

ENGINE STOP LEVER



15658-018-10

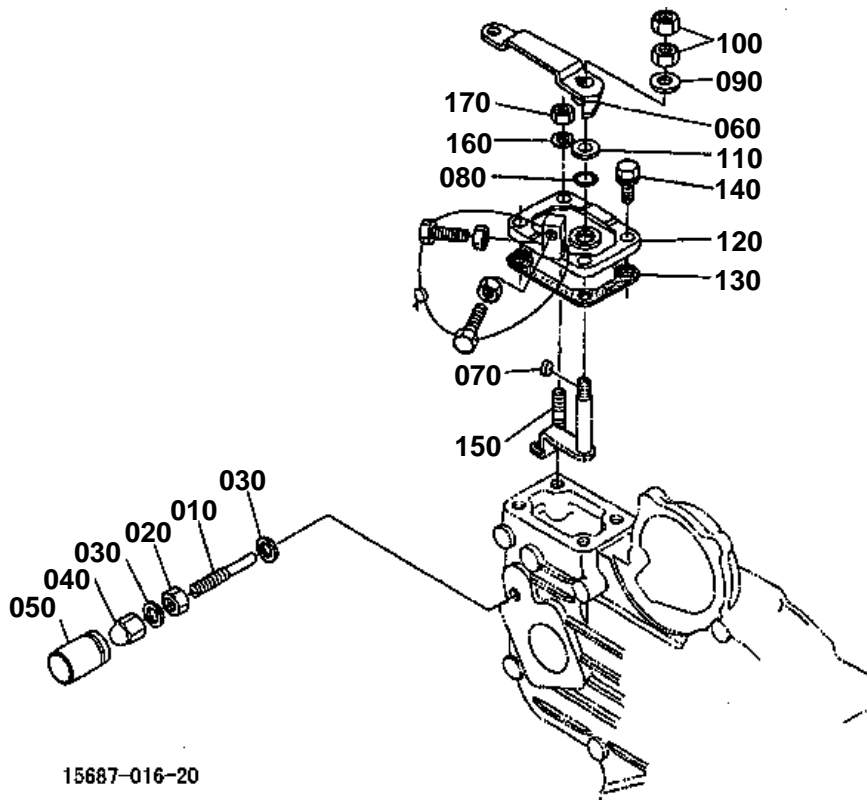


ENGINE STOP LEVER

↔ Interchangeable; ≠ not interchangeable; ← new for old; → old for new

REF.No	Part No.	Description	Q'ty	S.No.	I/C	REMARKS	Weight (kgf)	Weight (lb)
010	15752-54092	ASSY APPARATUS I/D.	1				0.03	0.066
020	15752-54102	ASSY BOLT ADJUSTING	1				0.01	0.022
030	15261-92020	NUT	1				0.004	0.0088
040	15261-92330	NUT CAP	1				0.01	0.022
050	15021-33660	GASKET	2				0.001	0.0022
060	15261-54270	CAP	1				0.002	0.0044
070	15738-57702	ASSY LEVER ENG.STOP	1	<=732040			0	0
070	15738-57706	ASSY LEVER ENG.STOP	1	>=732041	←		0.15	0.33
080	15949-51650	COVER	1	<=732040			0	0
080	15949-51654	COVER INJECTION PUMP	1	>=732041	←		0.1	0.22
090	15471-57980	SEAL OIL	1				0.001	0.0022
100	05411-00420	PIN SPRING	1				0.001	0.0022
110	15738-57920	SPRING RETURN	1				0.002	0.0044
120	15263-05130	GASKET BREATHER NA	1				0.001	0.0022
130	01023-50618	BOLT	4				0.006	0.0132

SPEED CONTROL PLATE

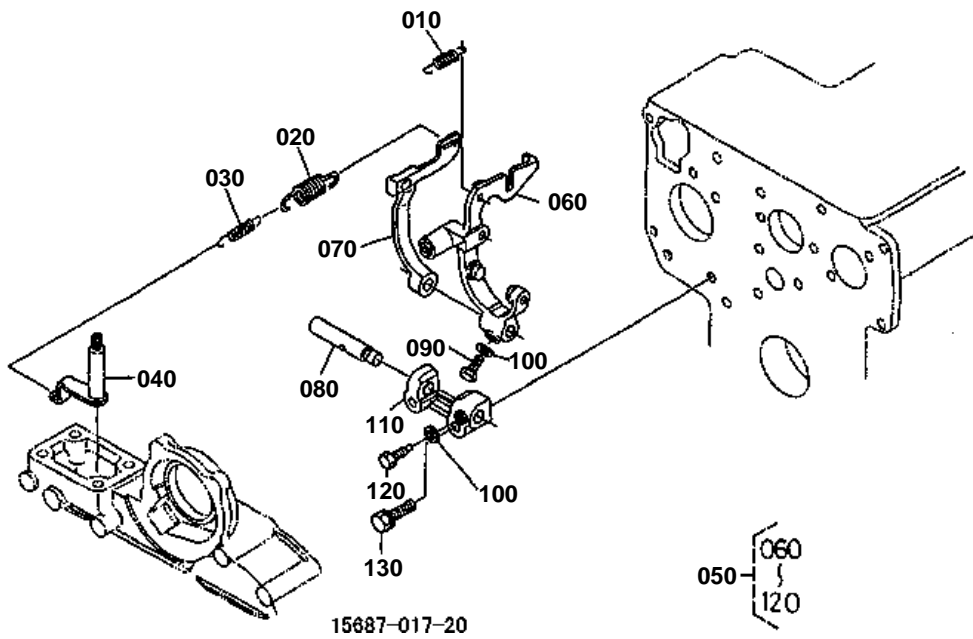


15687-016-20

**SPEED CONTROL PLATE**

↔ Interchangeable; ≠ not interchangeable; ← new for old; → old for new

REF.No	Part No.	Description	Q'ty	S.No.	I/C	REMARKS	Weight (kgf)	Weight (lb)
010	15531-54120	BOLT ADJUSTING	1				0.009	0.0198
020	15531-92030	NUT	1				0.005	0.011
030	15601-96650	GASKET	2				0.001	0.0022
040	15401-54220	NUT CAP	1	≤697417			0	0
040	15841-14620	NUT CAP	1	≥697418	↔		0.01	0.022
050	16241-54420	CAP	1	≤924784			0	0
050	16221-54420	CAP	1	≥924785	↔		0.001	0.0022
060	15741-57150	LEVER SPEED CONTROL	1	≤633345			0.04	0.088
060	15741-57152	LEVER SPEED CONTROL	1	≥633346	≠		0.04	0.088
070	15261-95010	KEY FEATHER	1	≤633345			0.001	0.0022
070	05712-00410	KEY FEATHER	1	≥633346	≠		0.001	0.0022
080	04811-00070	O RING	1				0	0
090	04013-60060	WASHER PLAIN	1				0.001	0.0022
100	02012-60060	NUT	2				0.005	0.011
110	15261-57380	DISK FRICTION	1	≤633345			0	0
110	15261-94010	WASHER PLAIN	1	≥633346	≠		0.002	0.0044
120	15531-57110	PLATE SPEED CONTROL	1				0.06	0.132
130	15263-57210	GASKET NA	1				0.001	0.0022
140	15221-88210	STUD	1				0.005	0.011
150	01023-50620	BOLT	3				0.006	0.0132
160	04512-60060	WASHER SPRING	1				0.001	0.0022
170	02056-50060	NUT	1				0.002	0.0044

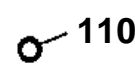
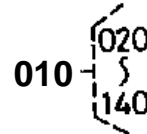
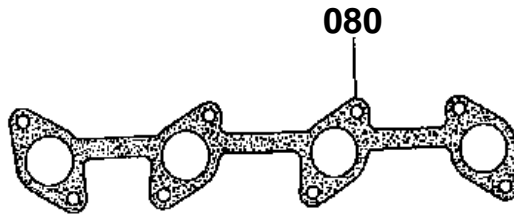
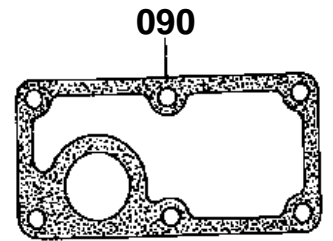
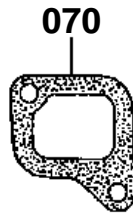
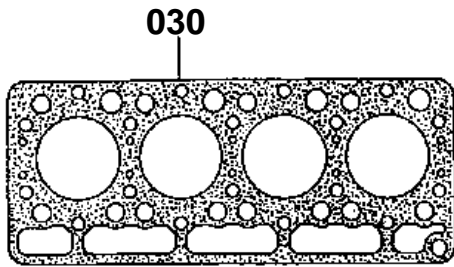
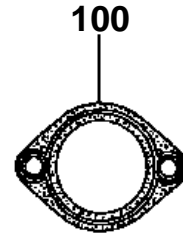
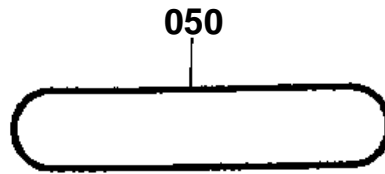
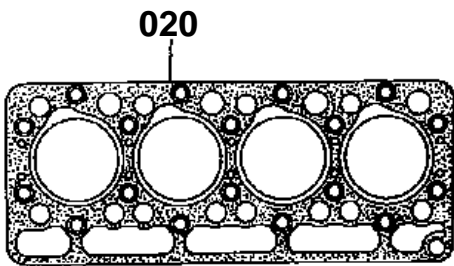


**GOVERNOR**

↔ Interchangeable; ≠ not interchangeable; ← new for old; → old for new

REF.No	Part No.	Description	Q'ty	S.No.	I/C	REMARKS	Weight (kgf)	Weight (lb)
010	15221-56480	SPRING START	1				0.008	0.0176
020	15531-56410	SPRING GOVERNOR	1				0.007	0.0154
030	15531-56420	SPRING GOVERNOR	1				0.003	0.0066
040	15531-56020	COMP.LEVER GOVERNOR	1	<=633345			0.026	0.0572
040	15531-56022	COMP.LEVER GOVERNOR	1	>=633346	≠		0.02	0.044
050	15694-56050	ASSY LEVER FORK	1				0.3	0.66
060	15694-56040	COMP.LEVER FORK	1				0.16	0.352
070	15531-56130	LEVER FORK	1				0.075	0.165
080	15261-56150	SHAFT FORK LEVER	1				0.032	0.0704
090	01053-50516	BOLT	1				0.003	0.0066
100	04512-50050	WASHER SPRING	2				0	0
110	15261-56230	HOLDER FORK LEVER	1				0.038	0.0836
120	15261-66410	BOLT	1				0.003	0.0066
130	01023-50628	BOLT	2				0.015	0.033

UPPER GASKET KIT



15658-021-10

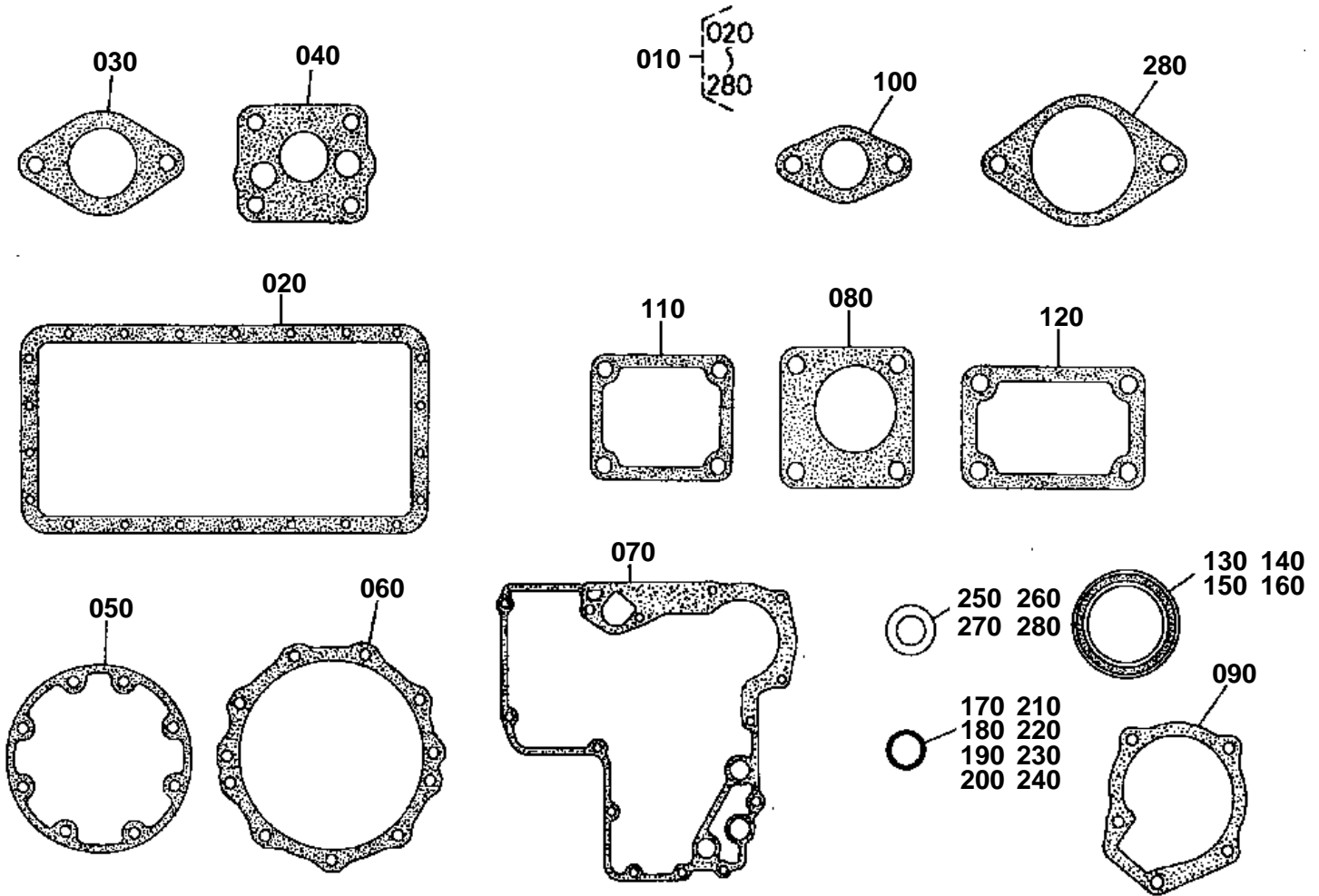


UPPER GASKET KIT

↔ Interchangeable; ≠ not interchangeable; ← new for old; → old for new

REF.No	Part No.	Description	Q'ty	S.No.	I/C	REMARKS	Weight (kgf)	Weight (lb)
010	07916-29965	KIT GASKET UPPER	1				0.3	0.66
020	15741-03312	GASKET CYLINDER HEAD	1				0.1	0.22
030	15442-03320	SHIM CYL.HEAD GASKET	1				0.04	0.088
040	15261-13150	SEAL VALVE STEM	8				0.001	0.0022
050	15442-14520	GASKET HEAD COVER	1				0.009	0.0198
060	19087-11820	GASKET IN-MANIFOLD	1				0.001	0.0022
070	15263-11830	GASKET IN-MANIFOLD	3				0.001	0.0022
080	19087-12360	GASKET EX-MANIFOLD	1				0.023	0.0506
090	15263-72920	GASKET WATER FLANGE	1				0.003	0.0066
100	15676-73270	GASKET THERMOSTAT	1				0.005	0.011
110	15221-33700	O RING	1				0.001	0.0022
120	04811-50300	O RING	1				0	0
130	17011-53620	GASKET	4				0.003	0.0066
140	15951-96660	GASKET	4				0.001	0.0022

LOWER GASKET KIT



15658-022-10

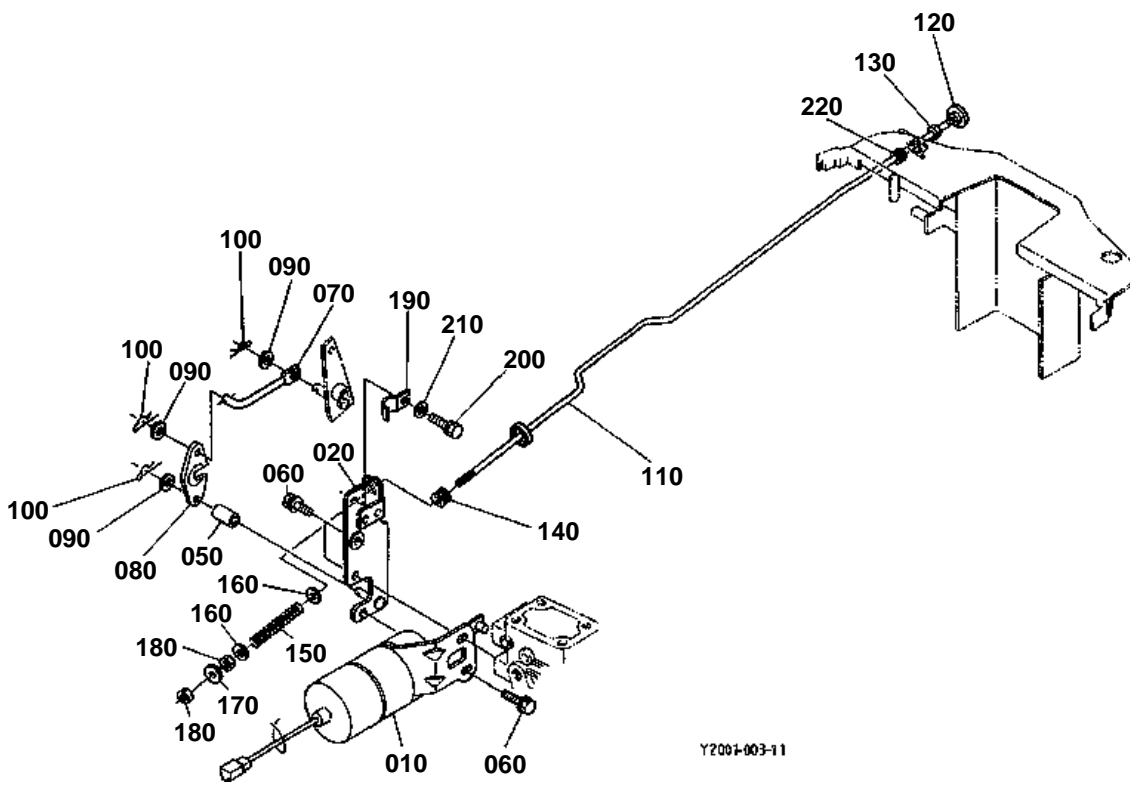


LOWER GASKET KIT

↔ Interchangeable; ≠ not interchangeable; ← new for old; → old for new

REF.No	Part No.	Description	Q'ty	S.No.	I/C	REMARKS	Weight (kgf)	Weight (lb)
010	07916-29975	KIT GASKET LOWER	1				0.21	0.462
020	19087-01620	GASKET OIL PAN	1				0.051	0.1122
030	15263-73920	GASKET WATER COVER	1				0.002	0.0044
040	15263-35150	GASKET OIL PUMP NA	1				0.001	0.0022
050	15263-04360	GASKET BRG.CASE NA	1				0.005	0.011
060	15263-04820	GASKET BRG.CASE COV.	1				0.001	0.0022
070	15676-04130	GASKET GEAR CASE NA	1				0.01	0.022
080	15296-88130	GASKET H/METER UNIT	1				0.002	0.0044
090	15676-73430	GASKET WATER PUMP	1				0.005	0.011
100	15263-52140	GASKET FUEL PUMP NA	1				0	0
110	15263-05130	GASKET BREATHER NA	1				0.001	0.0022
120	15263-57210	GASKET NA	1				0.001	0.0022
130	09400-14247	SEAL OIL	1				0.004	0.0088
140	19215-04460	SEAL OIL	1				0.03	0.066
150	15841-04140	SEAL OIL	1				0	0
160	15471-57980	SEAL OIL	1				0.001	0.0022
170	04811-00140	O RING	1				0	0
180	04811-05230	O RING	1				0	0
190	04811-06130	O RING	3				0	0
200	04810-00150	O RING	1				0	0
210	04811-05140	O RING	2				0	0
220	04811-00070	O RING	1				0	0
230	04811-10750	O RING	1				0.001	0.0022
240	04811-10530	O RING	1				0.005	0.011
250	15109-33660	GASKET	1				0.001	0.0022
260	15021-33660	GASKET	2				0.001	0.0022
270	15601-96650	GASKET	2				0.001	0.0022
280	66905-51160	GASKET NA	1				0.002	0.0044

ENGINE STOP ROD

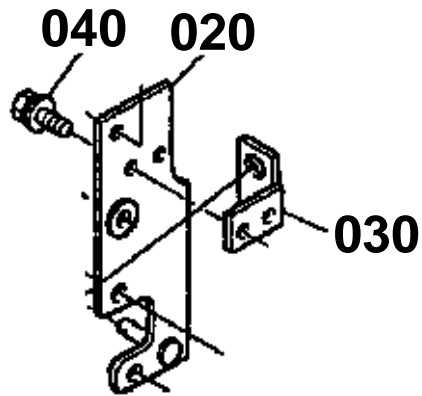


Y2007-003-11

020 66375-5395-0

030 66375-5397-0

040 01125-50612



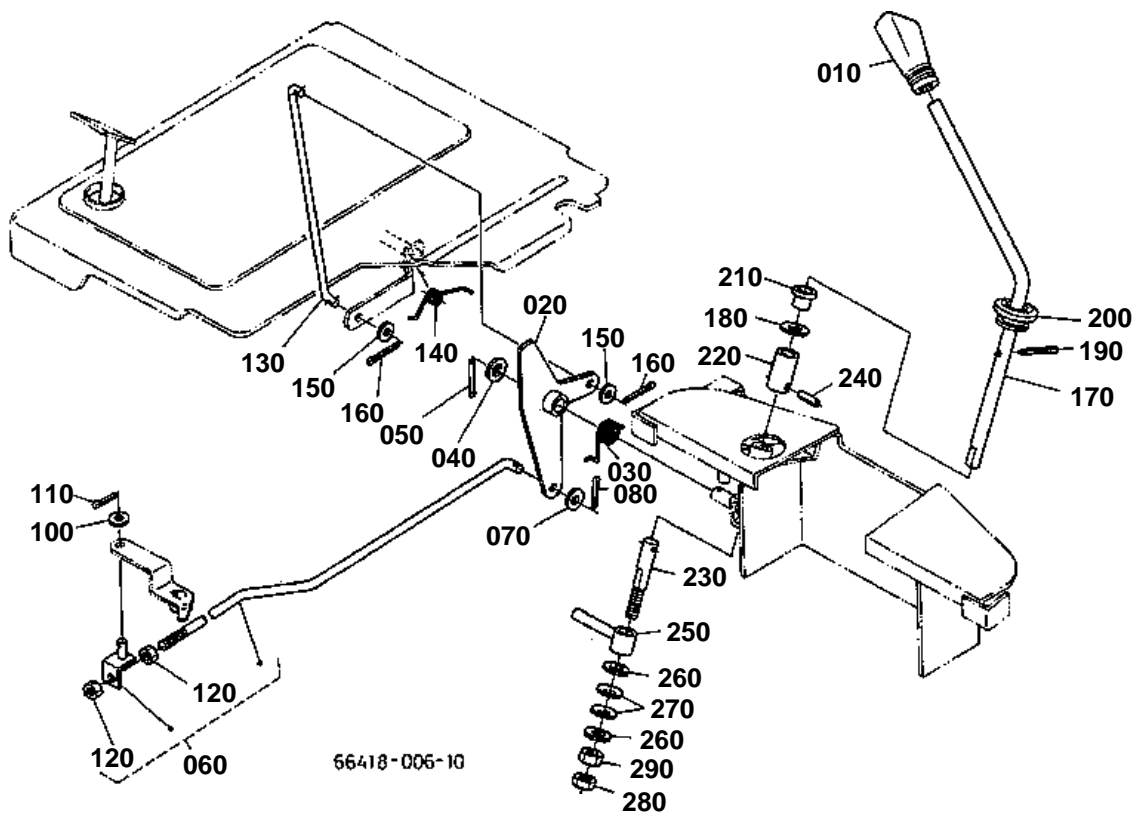
66417-800-10

**ENGINE STOP ROD**

↔ Interchangeable; ≠ not interchangeable; ← new for old; → old for new

REF.No	Part No.	Description	Q'ty	S.No.	I/C	REMARKS	Weight (kgf)	Weight (lb)
010	15471-60010	SOLENOID STOP	1				0.35	0.77
020	66375-53950	SUPPORT SOLENOID	1	≤10090			0	0
020	66375-53953	SUPPORT SOLENOID	1	≥10091	←		0.14	0.308
030	66375-53970	SUPPORT STOP ROD	1	≤10090			0.03	0.066
040	01025-50612	BOLT	2	≤10090			0.005	0.011
050	66375-53960	COLLAR ENG.STOP	1				0.009	0.0198
060	01125-50820	BOLT	3				0	0
070	66375-53940	LEVER STOP	1				0.016	0.0352
080	15471-60162	LEVER STOP	1				0.007	0.0154
090	04013-60060	WASHER PLAIN	3				0.001	0.0022
100	15471-94810	PIN SNAP	3	≤10227			0	0
100	05525-50600	PIN SNAP	3	≥10228	↔		0	0
110	66418-53920	ROD ENGINE STOP	1				0.15	0.33
120	35260-17160	KNOB	1				0.015	0.033
130	02014-50060	NUT	1				0.002	0.0044
140	66591-54580	RUBBER RELEASE ROD	1				0.002	0.0044
150	15471-60250	SPRING	1				0.005	0.011
160	04012-50060	WASHER PLAIN	2				0.001	0.0022
170	04015-60060	WASHER PLAIN	1				0.005	0.011
180	02012-60060	NUT	2				0.005	0.011
190	38430-17180	SPRING	1				0.1	0.22
200	01023-50610	BOLT	1				0.005	0.011
210	04013-60060	WASHER PLAIN	1				0.001	0.0022
220	66591-54580	RUBBER RELEASE ROD	1				0.002	0.0044

ACCELERATOR LEVER



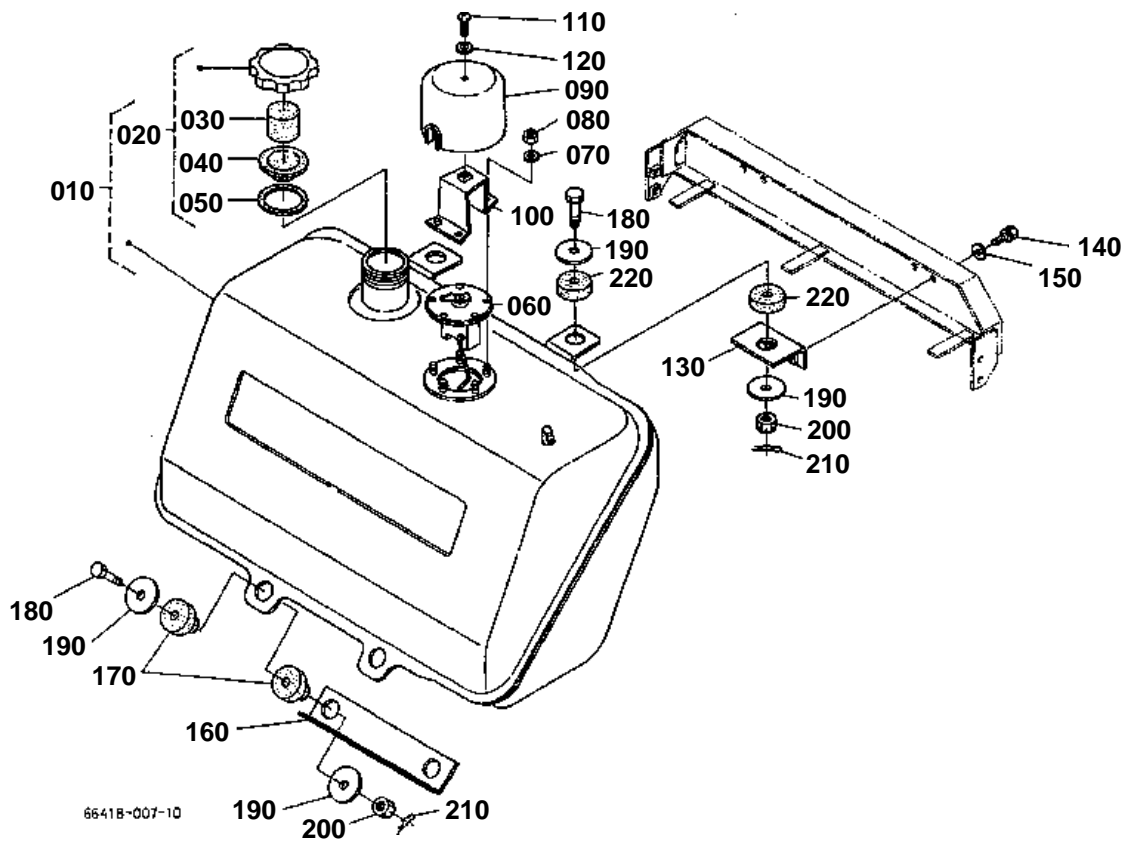


ACCELERATOR LEVER

↔ Interchangeable; ≠ not interchangeable; ← new for old; → old for new

REF.No	Part No.	Description	Q'ty	S.No.	I/C	REMARKS	Weight (kgf)	Weight (lb)
010	67156-43320	GRIP	1				0.026	0.0572
020	67156-43354	ARM RELEASE	1				0.1	0.22
040	04013-50100	WASHER PLAIN	1				0	0
050	05511-50320	PIN SPLIT	1				0.002	0.0044
060	66418-44840	ASSY ROD RELEASE	1				0.05	0.11
070	04012-50060	WASHER PLAIN	1				0.001	0.0022
080	05511-51612	PIN SPLIT	1				0.001	0.0022
100	04013-60060	WASHER PLAIN	1				0.001	0.0022
110	05511-51612	PIN SPLIT	1				0.001	0.0022
120	02014-50060	NUT	2				0.002	0.0044
130	67817-44880	ROD ACCEL.PEDAL	1				0.06	0.132
140	67800-44890	SPRING ACCELERATOR	1				0.02	0.044
150	04013-60060	WASHER PLAIN	2				0.001	0.0022
160	05511-51612	PIN SPLIT	2				0.001	0.0022
170	66416-43310	LEVER RELEASE	1				0.22	0.484
180	04011-50100	WASHER PLAIN	1				0.002	0.0044
190	05511-50320	PIN SPLIT	1				0.002	0.0044
200	67156-43370	CAP LEVER	1				0.006	0.0132
210	67111-54920	BUSH	1				0.01	0.022
220	67156-43382	FULCRUM LEVER	1				0.026	0.0572
230	67156-43410	SHAFT RELEASE HOLDER	1				0.032	0.0704
240	05411-00425	PIN SPRING	1				0.001	0.0022
250	67156-43422	HOLDER RELEASE	1				0.04	0.088
260	04015-60080	WASHER PLAIN	2				0.01	0.022
270	66116-51530	SPRING PLATE	2				0.003	0.0066
280	02112-50080	NUT	1				0.003	0.0066
290	02114-50080	NUT	1				0.005	0.011

FUEL TANK

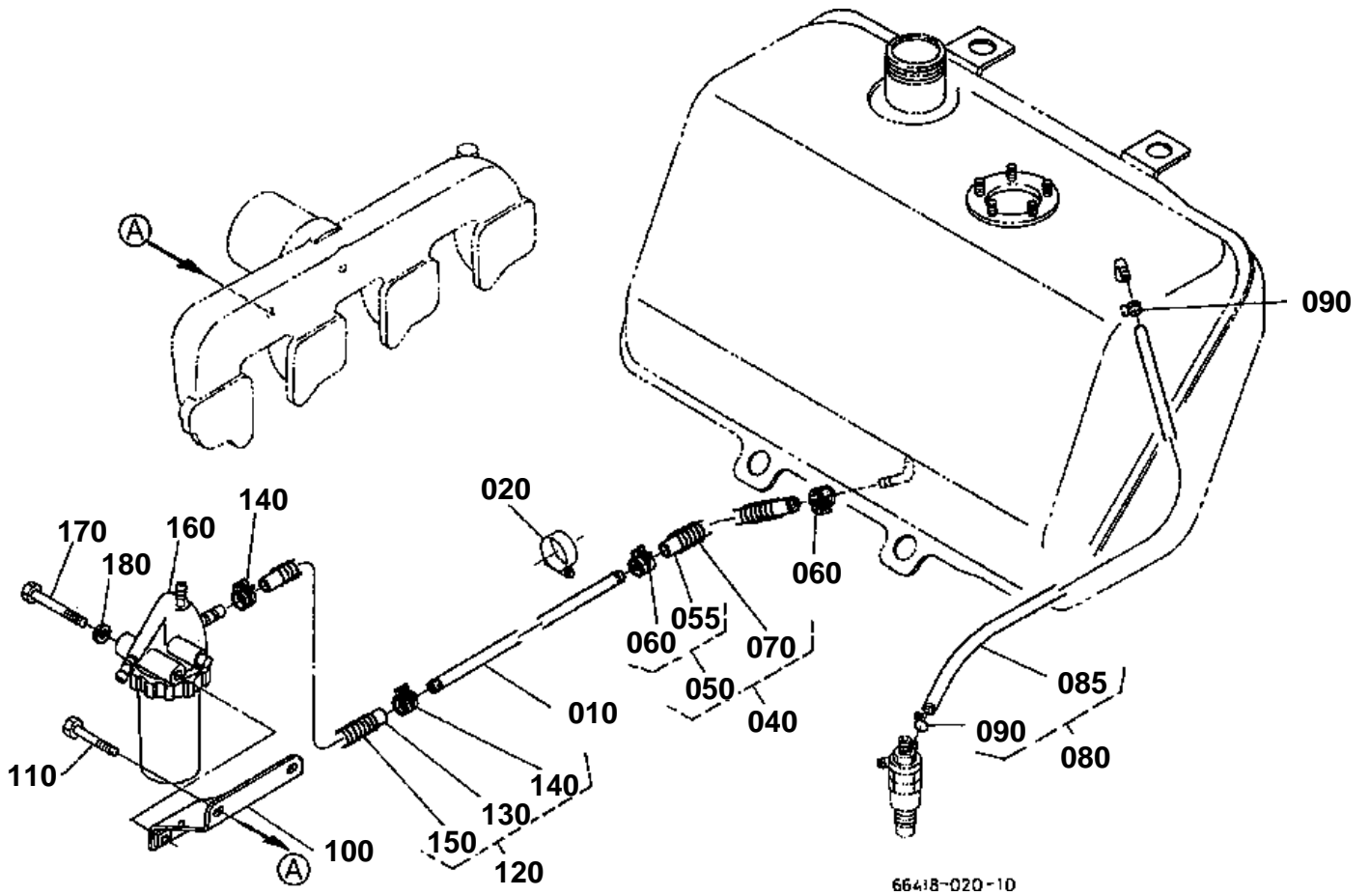


**FUEL TANK**

↔ Interchangeable; ≠ not interchangeable; ← new for old; → old for new

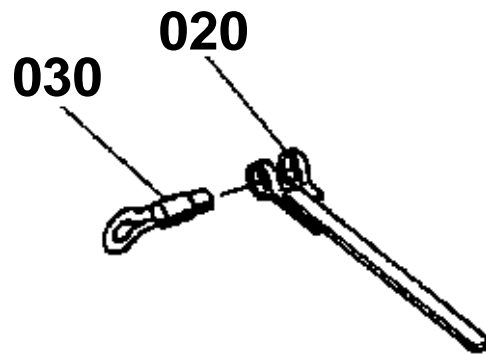
REF.No	Part No.	Description	Q'ty	S.No.	I/C	REMARKS	Weight (kgf)	Weight (lb)
010	66418-53600	ASSY TANK FUEL	1				6.2	13.64
020	38240-35200	ASSY CAP FUEL TANK	1				0.06	0.132
030	34150-35240	SPONGE	1				0.001	0.0022
040	34150-35230	GASKET	1				0.01	0.022
050	34150-35180	GASKET	1				0.001	0.0022
060	66418-53620	UNIT FUEL	1				0.24	0.528
070	04013-60050	WASHER PLAIN	5				0.001	0.0022
080	02054-50050	NUT	5				0.002	0.0044
090	32539-35250	UNIT COVER	1				0.06	0.132
100	66361-53630	BRACKET UNIT COVER	1				0.05	0.11
110	03017-50612	SCREW CR-REC-BD-HD	1				0.004	0.0088
120	04717-00600	WASHER WITH RUBBER	1				0.001	0.0022
130	66418-53630	STAY FUEL TANK	2				0.04	0.088
140	01123-60816	BOLT	4				0.01	0.022
150	04013-50080	WASHER PLAIN	4				0	0
160	67111-52520	SUPPORT FUEL TANK	1				0.24	0.528
170	67111-53650	CUSHION	4				0.01	0.022
180	67111-53660	BOLT	4				0.025	0.055
190	04015-50100	WASHER PLAIN	8				0	0
200	02116-50100	NUT	4				0.004	0.0088
210	05515-60800	PIN SNAP	4				0.002	0.0044
220	31352-48460	CUSHION	4				0.002	0.0044

FUEL PIPE 1



020 67111-5377-0

030 33430-8276-0



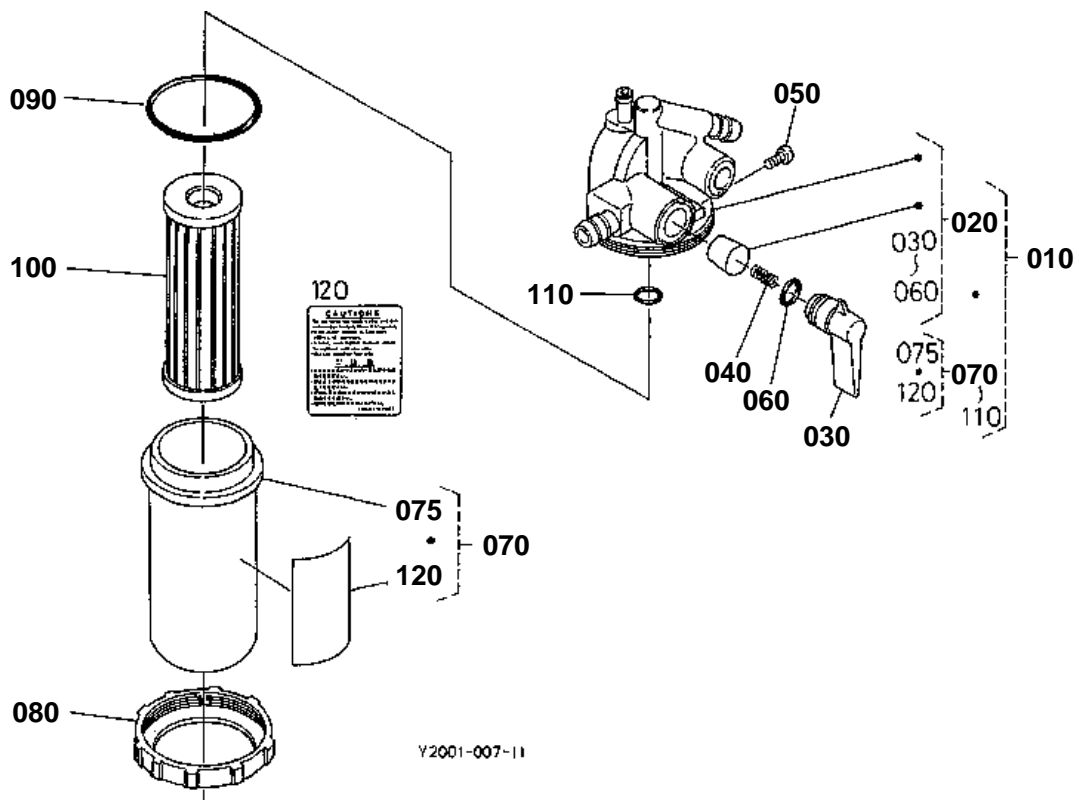
66418-800-10

**FUEL PIPE 1**

↔ Interchangeable; ≠ not interchangeable; ← new for old; → old for new

REF.No	Part No.	Description	Q'ty	S.No.	I/C	REMARKS	Weight (kgf)	Weight (lb)
010	66361-53720	PIPE FUEL	1				0.19	0.418
020	67111-53770	BAND PIPE	3	≤10042			0.01	0.022
020	66204-36280	BAND PIPE	2	≥10043	≠		0.02	0.044
020	67955-36230	CLAMP	2	≥10228	↔		0.023	0.0506
030	33430-82760	PIN BAND	3	≤10042			0.004	0.0088
040	67800-53700	ASSY PIPE FUEL	1				0.07	0.154
050	67800-53710	ASSY PIPE FUEL	1				0.05	0.11
055	09661-70380	TUBE FUEL	1				0.04	0.088
060	14911-42750	CLIP PIPE	2				0.002	0.0044
070	67111-58320	SPRING PIPE PROTECT.	1				0.02	0.044
080	67955-54910	ASSY TUBE FUEL	1				0.02	0.044
085	67955-54920	TUBE FUEL	1				0.11	0.242
090	14971-42750	CLIP PIPE	2				0.001	0.0022
100	66361-53812	STAY FILTER	1				0.2	0.44
110	01053-50648	BOLT	2				0.01	0.022
120	66361-53800	ASSY PIPE FUEL	1				0.06	0.132
130	14611-42020	ASSY PIPE FUEL	1	≤10194			0.048	0.1056
130	09661-70300	TUBE FUEL	1	≥10195	↔		0.04	0.088
140	14301-42750	CLIP PIPE	1	≤10194			0.005	0.011
140	14911-42750	CLIP PIPE	2	≥10195	↔		0.002	0.0044
150	67111-58320	SPRING PIPE PROTECT.	1				0.02	0.044
160	15751-43010	ASSY FILTER FUEL	1				0.41	0.902
170	01153-50865	BOLT	1				0.025	0.055
180	04512-60080	WASHER SPRING	1				0.002	0.0044

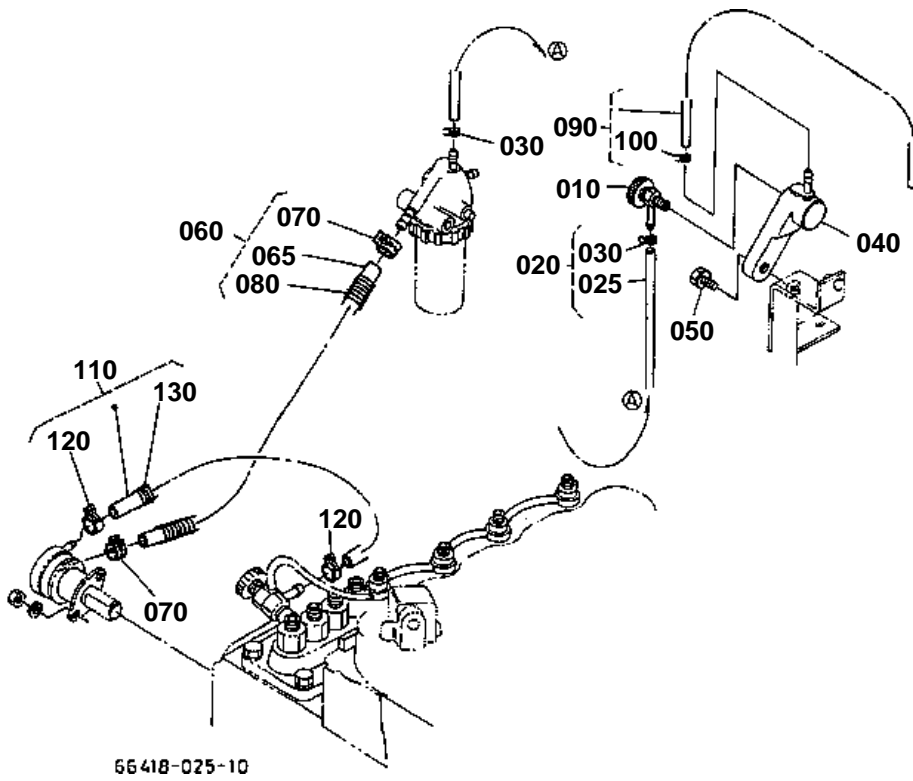
FUEL FILTER



**FUEL FILTER**

↔ Interchangeable; ≠ not interchangeable; ← new for old; → old for new

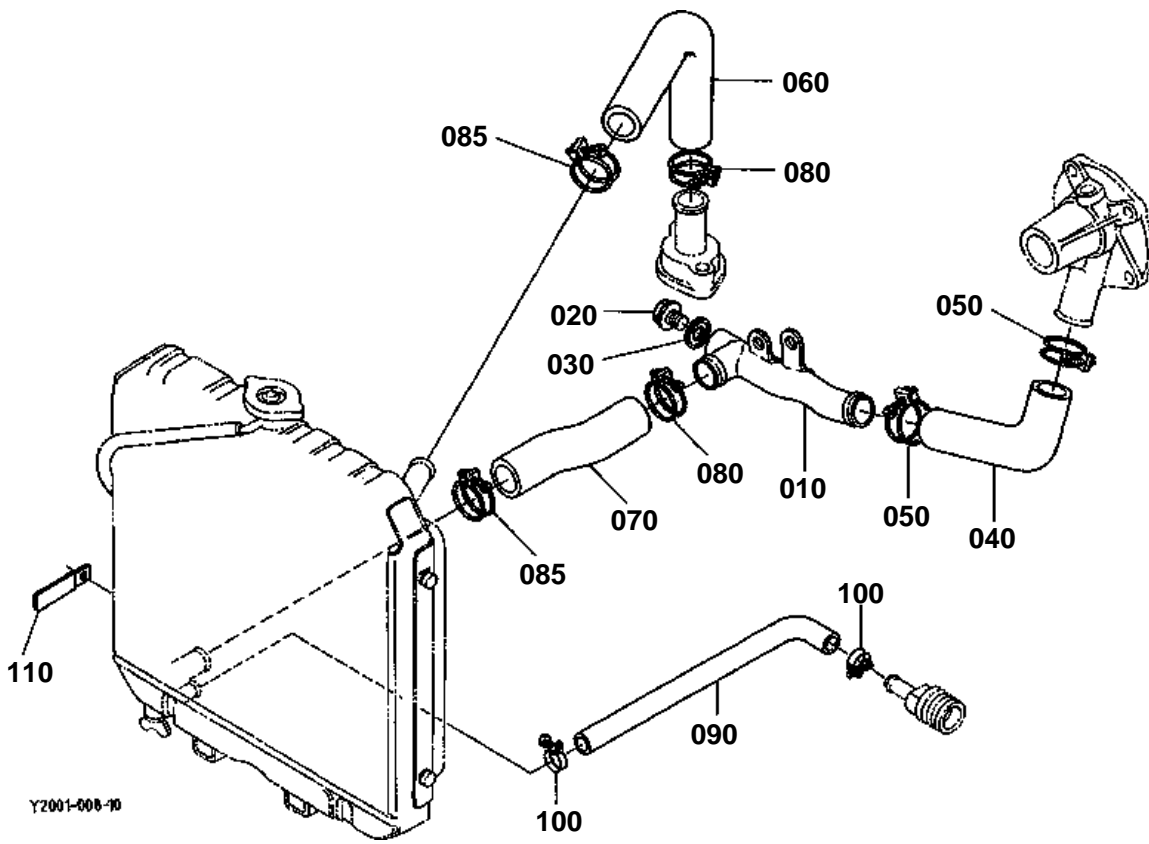
REF.No	Part No.	Description	Q'ty	S.No.	I/C	REMARKS	Weight (kgf)	Weight (lb)
010	15751-43010	ASSY FILTER FUEL	1				0.41	0.902
020	15531-43110	COMP.BODY COCK	1				0.255	0.561
030	14301-43522	LEVER COCK	1				0.024	0.0528
040	14301-43820	SPRING VALVE	1				0.001	0.0022
050	14301-43830	SCREW SET	1				0.001	0.0022
060	14301-43840	O RING LEVER	1				0.001	0.0022
070	19204-43100	ASSY CUP FILTER	1	>=10228			0.02	0.044
075	15000-34832	CUP FILTER	1	<=10227			0.07	0.154
075	15393-43580	CUP FILTER	1	>=10228	↔		0.01	0.022
080	14301-43590	RING RETAINING	1				0.054	0.1188
090	14301-43650	O RING FILTER CUP	1				0.001	0.0022
100	15231-43560	ASSY ELEMENT	1				0.03	0.066
110	04811-00100	O RING FILTER	1				0	0
120	66706-58310	LABEL FUEL FILTER	1	<=10227			0.001	0.0022
120	16689-88430	LABEL FUEL	1	>=10228	↔		0.001	0.0022



**FUEL PIPE 2**

↔ Interchangeable; ≠ not interchangeable; ← new for old; → old for new

REF.No	Part No.	Description	Q'ty	S.No.	I/C	REMARKS	Weight (kgf)	Weight (lb)
010	14311-60504	ASSY COCK JET START	1				0.034	0.0748
020	66418-58600	ASSY PIPE OVER FLOW	1				0.02	0.044
025	09661-40360	TUBE FUEL	1				0.02	0.044
030	14971-42750	CLIP PIPE	2				0.001	0.0022
040	15531-42800	COMP.SUPPORT COCK	1				0.05	0.11
050	01123-50825	BOLT	1				0.013	0.0286
060	66361-58200	ASSY PIPE FUEL	1	<=10090			0.05	0.11
060	67061-58350	ASSY PIPE FUEL	1	>=10091	↔		0.04	0.088
065	09661-70190	TUBE FUEL	1	>=10091			0.02	0.044
070	14301-42750	CLIP PIPE	2	<=10090			0.005	0.011
070	14911-42750	CLIP PIPE	2	>=10091	↔		0.002	0.0044
080	67111-53790	SPRING PIPE PROTECT.	1				0.01	0.022
090	66418-58500	ASSY PIPE OVER FLOW	1				0.04	0.088
100	10244-42320	CLIP PIPE	1				0.001	0.0022
110	15263-42010	ASSY PIPE FUEL	1				0.04	0.088
120	14301-42750	CLIP PIPE	2	<=10227			0.005	0.011
120	16241-42750	BAND PIPE	2	>=10228	↔		0	0
130	66591-54250	SPRING PIPE PROTECT.	1				0.01	0.022

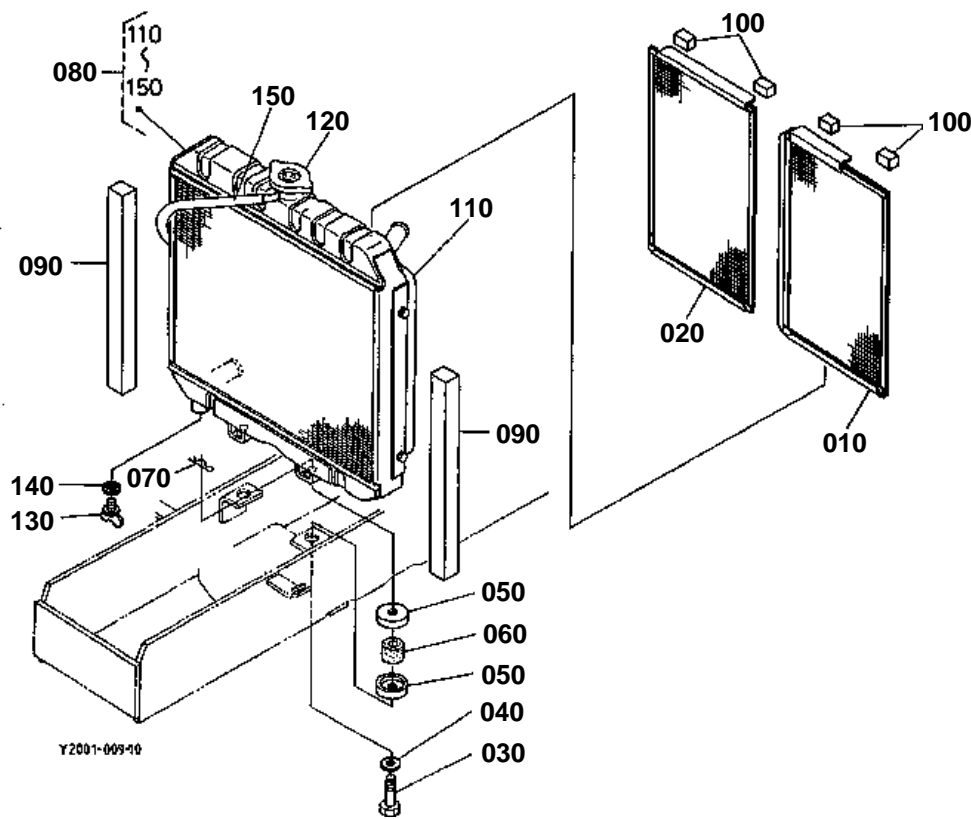


**WATER PIPE**

↔ Interchangeable; ≠ not interchangeable; ← new for old; → old for new

REF.No	Part No.	Description	Q'ty	S.No.	I/C	REMARKS	Weight (kgf)	Weight (lb)
010	15554-72860	PIPE WATER	1				0.214	0.4708
020	06311-25030	PLUG	1				0.051	0.1122
030	04717-01700	WASHER WITH RUBBER	1				0.003	0.0066
040	15531-72870	PIPE WATER	1				0.052	0.1144
050	15261-72780	BAND	2				0.024	0.0528
060	66418-72940	PIPE WATER	1	<=10194			0	0
060	66418-72942	PIPE WATER	1	>=10195	←		0.16	0.352
070	66418-72850	PIPE WATER	1				0.19	0.418
080	15261-72780	BAND	4	<=10227			0.024	0.0528
080	15261-72780	BAND	2	>=10228			0.024	0.0528
085	36200-82720	CLAMP	1	<=10227			0.025	0.055
085	67955-58630	CLAMP HOSE	2	>=10228	↔		0.025	0.055
090	66418-73130	PIPE DRAIN	1				0.065	0.143
100	19269-73360	BAND PIPE	2	<=10042			0.01	0.022
100	15109-73360	BAND PIPE	2	>=10043	←		0.01	0.022
110	15241-67580	CLAMP CORD	1				0.004	0.0088

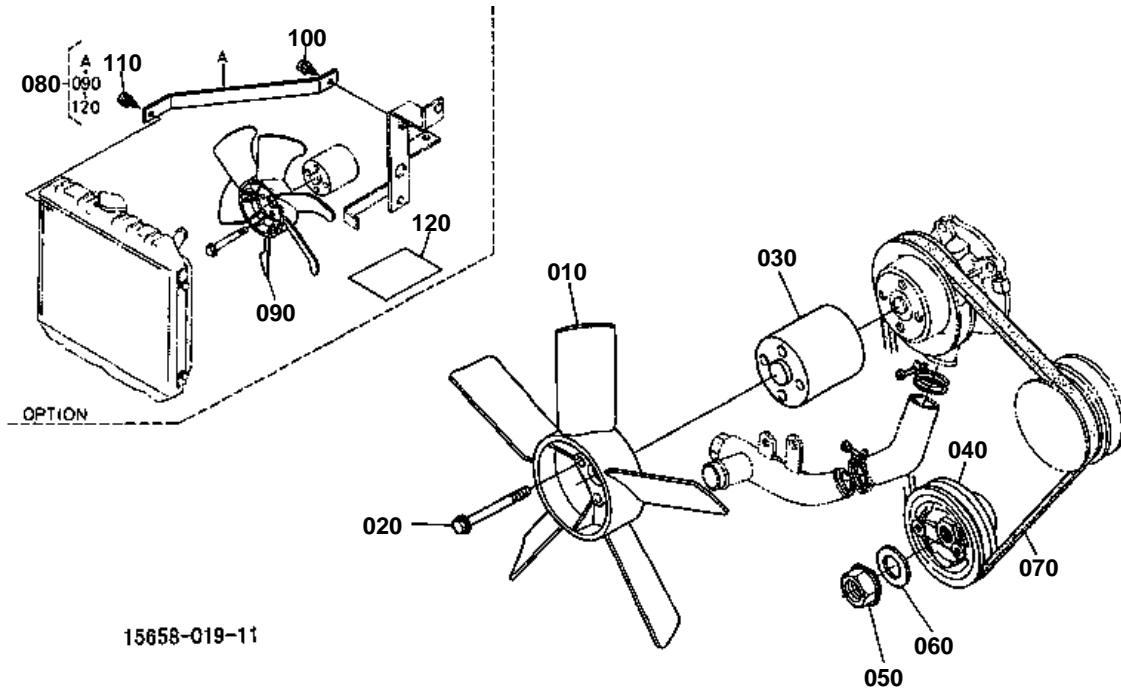
RADIATOR



**RADIATOR**

↔ Interchangeable; ≠ not interchangeable; ← new for old; → old for new

REF.No	Part No.	Description	Q'ty	S.No.	I/C	REMARKS	Weight (kgf)	Weight (lb)
010	66418-53510	NET DUSTPROOF	1				0.24	0.528
020	66418-53520	NET DUSTPROOF	1				0.2	0.44
030	67111-58710	BOLT RADIATOR	2				0.027	0.0594
040	04013-50100	WASHER PLAIN	2				0	0
050	15111-72200	WASHER	4				0.013	0.0286
060	15111-72180	CUSHION	2				0.015	0.033
070	05515-61000	PIN SNAP	2				0.002	0.0044
080	66418-58700	ASSY RADIATOR	1				4	8.8
090	67511-54520	TAPE	2				0.004	0.0088
100	66416-51490	TAPE DUSTPROOF	4				0.001	0.0022
110	66418-58730	SHROUD FAN	1				1.32	2.904
120	15272-72020	ASSY CAP	1				0.071	0.1562
130	15231-73110	COCK DRAIN	1				0.006	0.0132
140	15231-96690	GASKET	1				0.001	0.0022
150	15302-72710	PIPE WATER OVERFLOW	1				0.06	0.132



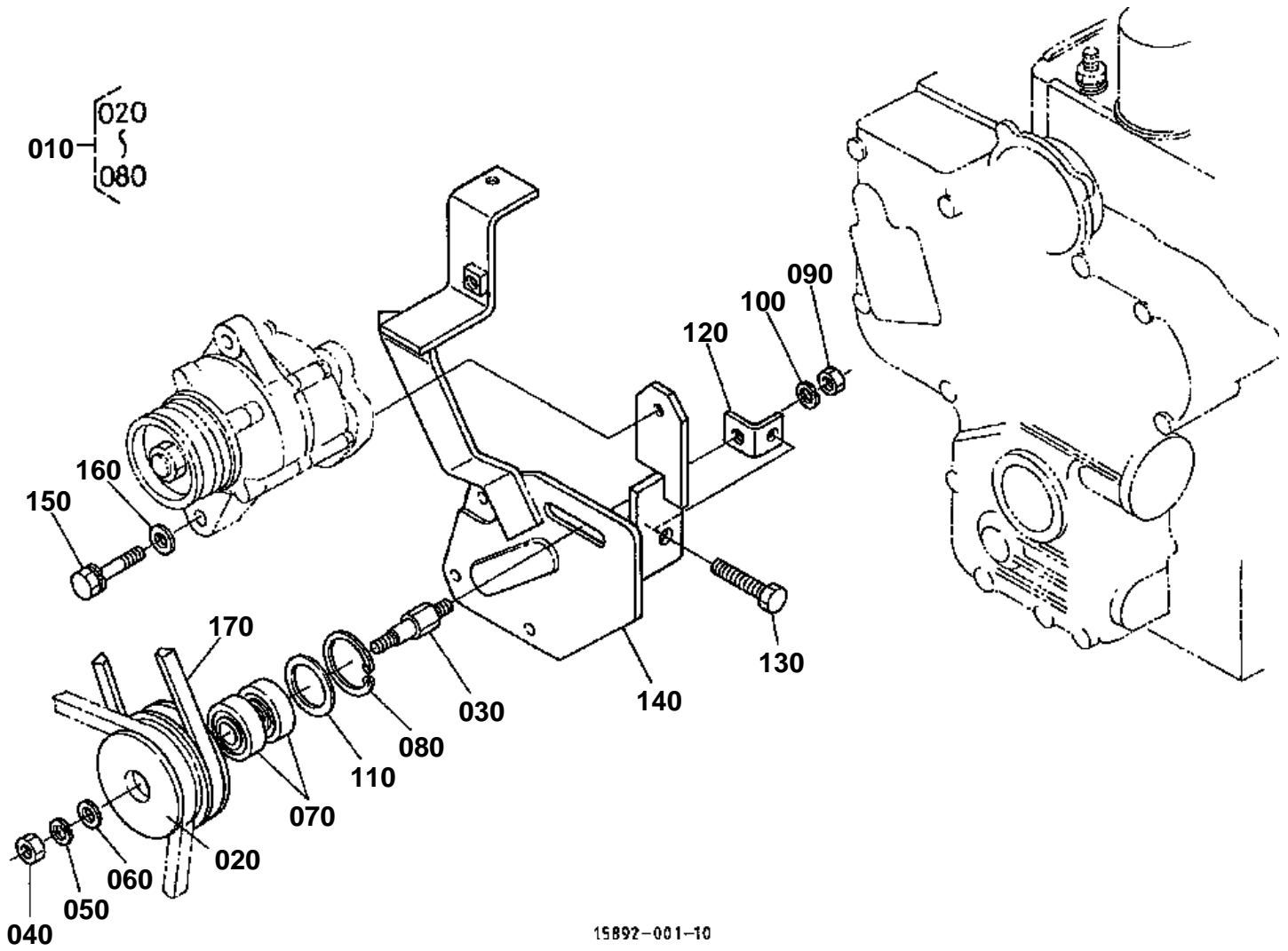
15658-019-11

**FAN**

↔ Interchangeable; ≠ not interchangeable; ← new for old; → old for new

REF.No	Part No.	Description	Q'ty	S.No.	I/C	REMARKS	Weight (kgf)	Weight (lb)
010	15694-74110	FAN	1				0.34	0.748
020	01754-50665	BOLT FLANGE	4				0.01	0.022
030	15656-74152	COLLAR FAN	1				0.23	0.506
040	15741-74280	PULLEY FAN DRIVE	1				1.24	2.728
050	15752-23360	NUT CRANKSHAFT	1				0.04	0.088
060	15752-23380	WASHER CRANKSHAFT	1				0.01	0.022
070	15531-72530	BELT FAN	1			[A][AU][NZ]	0.085	0.187
070	66426-64210	V BELT	1			[CA]	0.08	0.176
080	66418-85102	KIT FAN	1	>=945300			0.1	0.22
090	16239-74110	FAN	1	>=945300			0.5	1.1
100	01123-50828	BOLT	1	>=945300			0.014	0.0308
110	01023-50612	BOLT	1	>=945300			0.005	0.011
120	66418-85122	MANUAL INSTRUCTION	1	>=945300			0.002	0.0044

TENSION PULLEY [CA]

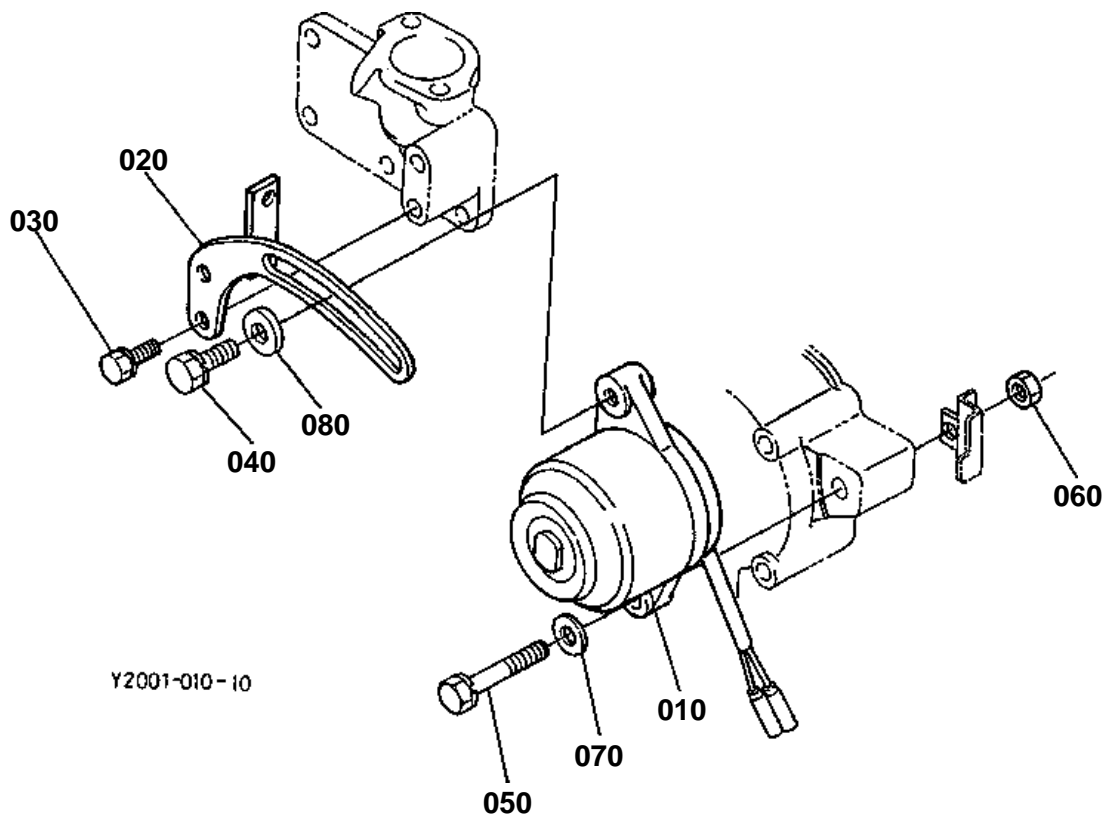


15892-001-10

**TENSION PULLEY [CA]**

↔ Interchangeable; ≠ not interchangeable; ← new for old; → old for new

REF.No	Part No.	Description	Q'ty	S.No.	I/C	REMARKS	Weight (kgf)	Weight (lb)
010	67820-64100	ASSY PULLEY TENSION	1				0.85	1.87
020	67820-64113	PULLEY TENSION	1				0.58	1.276
030	67820-64125	SHAFT PULLEY	1				0.109	0.2398
040	02118-50100	NUT	1				0.005	0.011
050	04512-60100	WASHER SPRING	1				0.002	0.0044
060	04013-50100	WASHER PLAIN	1				0	0
070	08141-06301	BEARING BALL	2				0.05	0.11
080	04611-00370	CIR CLIP INTERNAL	1				0.004	0.0088
090	02118-50100	NUT	1				0.005	0.011
100	04512-60100	WASHER SPRING	1				0.002	0.0044
110	67820-64230	COLLAR	1				0.008	0.0176
120	67820-64140	RETAINER SPRING	1				0.07	0.154
130	67820-64150	BOLT ADJUSTING	1				0.035	0.077
140	66426-64130	STAY PULLEY	1				1.34	2.948
150	01133-51045	BOLT	1				0.034	0.0748
160	04013-50100	WASHER PLAIN	1				0	0
170	66426-64200	V BELT	1	<=723497			0.04	0.088
170	66426-64202	V BELT	1	>=723498	←		0.05	0.11

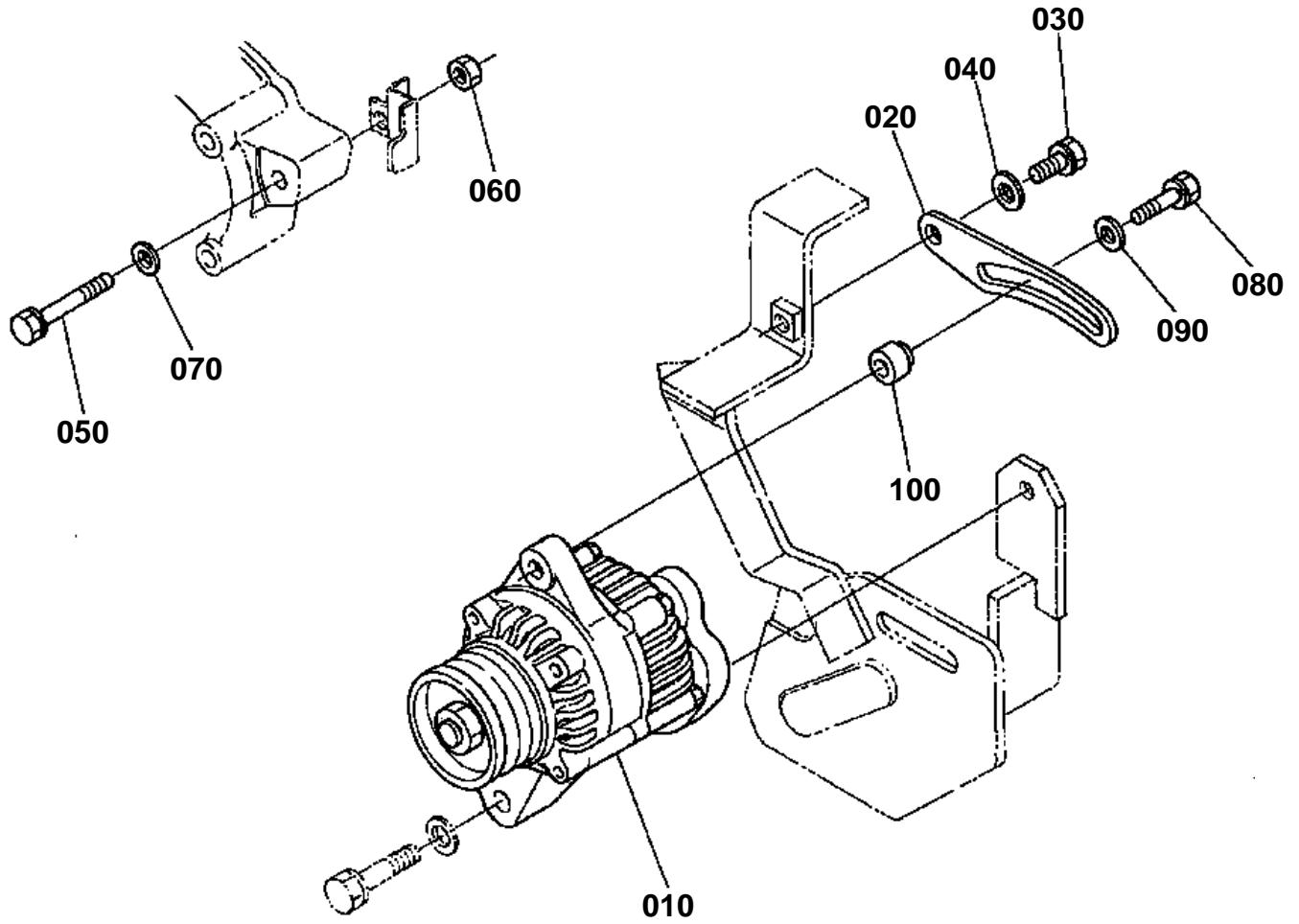


Y2001-010-10



↔ Interchangeable; ≠ not interchangeable; ← new for old; → old for new

REF.No	Part No.	Description	Q'ty	S.No.	I/C	REMARKS	Weight (kgf)	Weight (lb)
010	15531-64010	ASSY DYNAMO	1				0	0
020	15655-64420	STAY DYNAMO	1				0.11	0.242
030	01023-50616	BOLT	1				0.005	0.011
040	01123-50825	BOLT	1				0.013	0.0286
050	01123-50860	BOLT	1				0.002	0.0044
060	02156-50080	NUT	1				0.004	0.0088
070	04013-50080	WASHER PLAIN	1				0	0
080	04015-60080	WASHER PLAIN	1				0.01	0.022



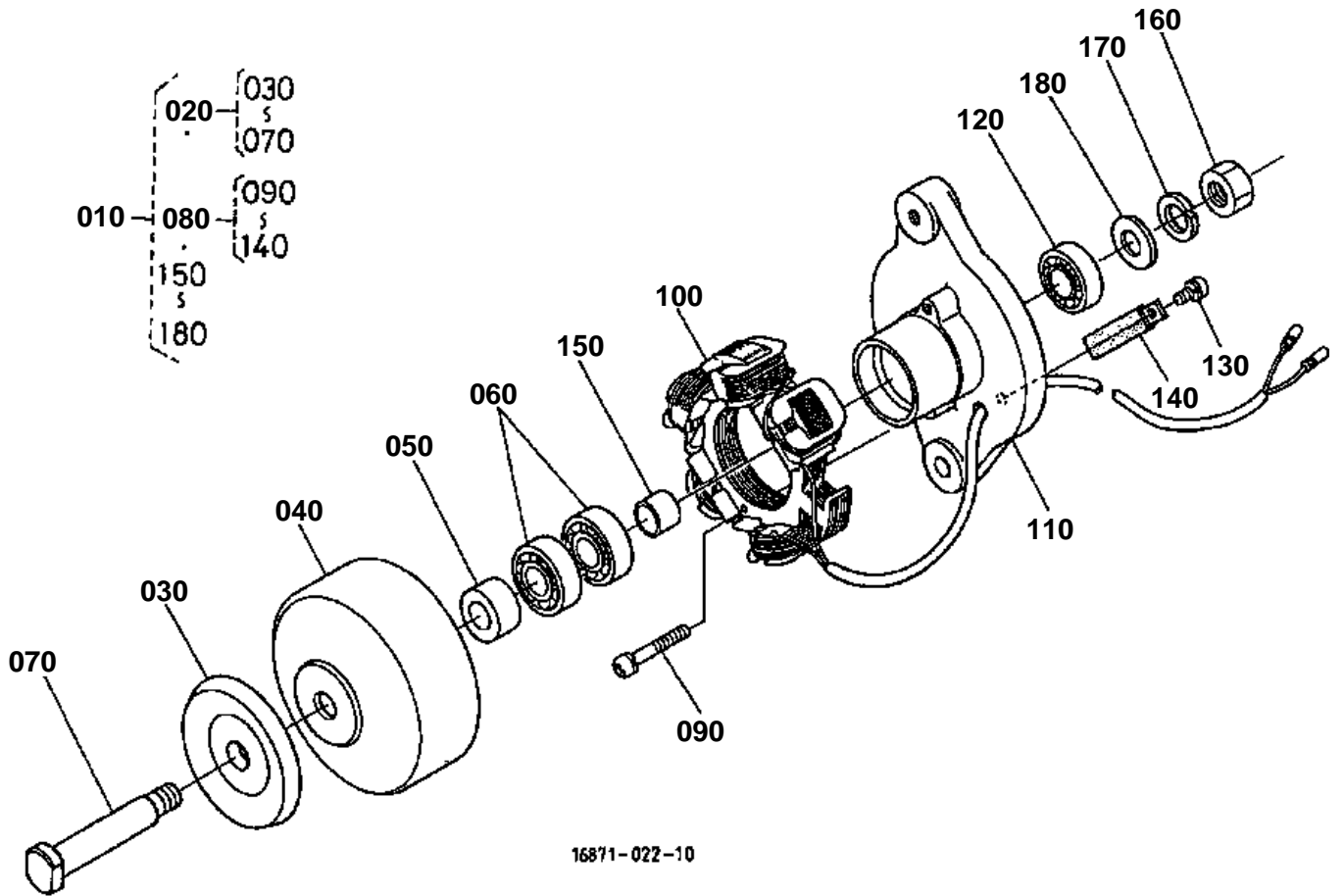
15892-002-10



ALTERNATOR [CA]

↔ Interchangeable; ≠ not interchangeable; ← new for old; → old for new

REF.No	Part No.	Description	Q'ty	S.No.	I/C	REMARKS	Weight (kgf)	Weight (lb)
010	16241-64010	ASSY ALTERNATOR	1				0	0
020	15451-64420	STAY DYNAMO	1				0.15	0.33
030	01133-51030	BOLT	1				0.025	0.055
040	04013-50100	WASHER PLAIN	1				0	0
050	01123-50845	BOLT	1				0.02	0.044
060	02056-50080	NUT	1				0.005	0.011
070	04013-50080	WASHER PLAIN	1				0	0
080	01123-50835	BOLT	1				0.02	0.044
090	04015-60080	WASHER PLAIN	1				0.01	0.022
100	66426-64140	COLLAR	1				0.02	0.044



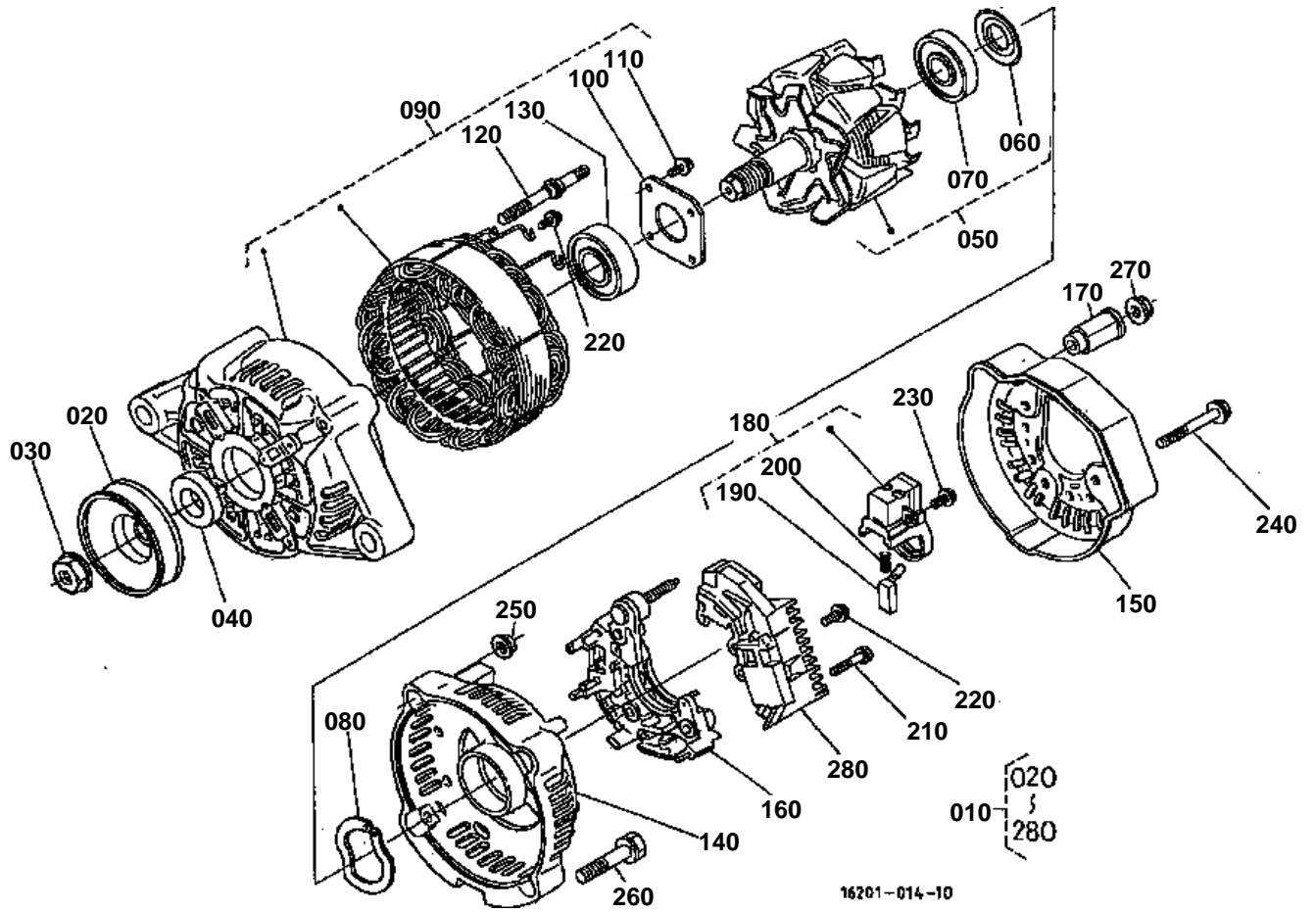


DYNAMO [A][AU][NZ] [COMPONENT PARTS]

↔ Interchangeable; ≠ not interchangeable; ← new for old; → old for new

REF.No	Part No.	Description	Q'ty	S.No.	I/C	REMARKS	Weight (kgf)	Weight (lb)
010	15531-64010	ASSY DYNAMO	1				0	0
020	15531-64122	COMP ROTOR	1				0.76	1.672
030	15531-64110	PULLEY	1				0.15	0.33
040	15531-64040	ROTOR	1				0.5	1.1
050	6C040-82860	COLLAR	1				0.014	0.0308
060	15531-74180	BEARING BALL	2				0.04	0.088
070	15531-74140	SHAFT FAN	1				0.075	0.165
080	15531-64363	COMP.STATOR	1				0.555	1.221
090	15261-93010	SCREW ROUND HEAD	2				0.003	0.0066
100	15531-64292	STATOR	1				0.29	0.638
110	15531-64072	PLATE	1				0.3	0.66
120	15531-74180	BEARING BALL	1				0.04	0.088
130	15531-93010	SCREW ROUND HEAD	1				0.002	0.0044
140	15531-64190	CLAMP CORD	1				0.005	0.011
150	15261-64150	COLLAR	1				0.02	0.044
160	15261-92030	NUT	1				0.01	0.022
170	15261-94070	WASHER SPRING	1				0.003	0.0066
180	15261-94020	WASHER PLAIN	1				0.007	0.0154

ALTERNATOR [CA] [COMPONENT PARTS]



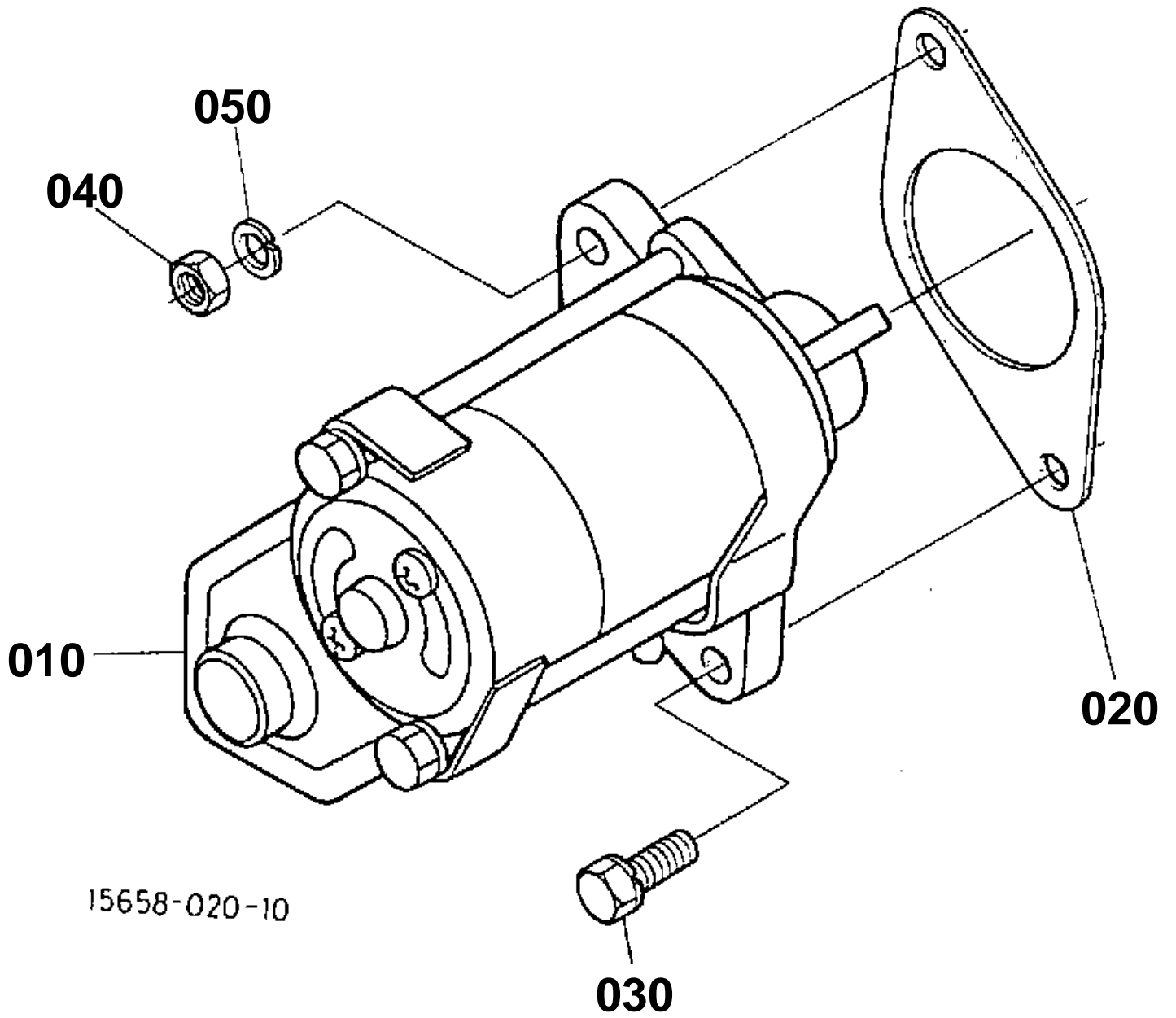


ALTERNATOR [CA] [COMPONENT PARTS]

↔ Interchangeable; ≠ not interchangeable; ← new for old; → old for new

REF.No	Part No.	Description	Q'ty	S.No.	I/C	REMARKS	Weight (kgf)	Weight (lb)
010	16241-64010	ASSY ALTERNATOR	1				0	0
020	15881-64110	PULLEY DYNAMO	1				0.16	0.352
030	15881-92010	NUT	1				0.02	0.044
040	15881-64150	COLLAR	1				0.004	0.0088
050	15881-64040	ROTOR	1				0	0
060	15881-64800	COVER BEARING	1				0.001	0.0022
070	15881-64770	BEARING BALL	1				0.04	0.088
080	15881-64810	WASHER THRUST	1				0.002	0.0044
090	15881-64020	FRAME DRIVE END	1				1.2	2.64
100	15881-64710	PLATE RETAINER	1				0.01	0.022
110	15881-93010	SCREW ROUND HEAD	4				0.003	0.0066
120	15881-64260	BOLT THROUGH	2				0.01	0.022
130	15881-64780	BEARING BALL	1				0.05	0.11
140	16241-64060	FRAME END	1				0.2	0.44
150	16241-64230	COVER END	1				0	0
160	16241-64850	ASSY RECTIFIER	1				0	0
170	16241-64900	BUSH INSULATION	1				0.007	0.0154
180	15881-64310	HOLDER BRUSH	1				0.025	0.055
190	15881-64090	BRUSH	2				0.002	0.0044
200	15881-64330	SPRING BRUSH	2				0.002	0.0044
210	15881-93020	SCREW ROUND HEAD	2				0.005	0.011
220	15881-93030	SCREW ROUND HEAD	6				0.003	0.0066
230	15881-93040	SCREW ROUND HEAD	1				0.003	0.0066
240	15881-91040	BOLT	3				0.005	0.011
250	15881-92020	NUT	2				0.02	0.044
260	15881-91050	BOLT	2				0.01	0.022
270	14182-92030	NUT	1				0.003	0.0066
280	15881-64600	ASSY REGULATOR	1				0	0

STARTER



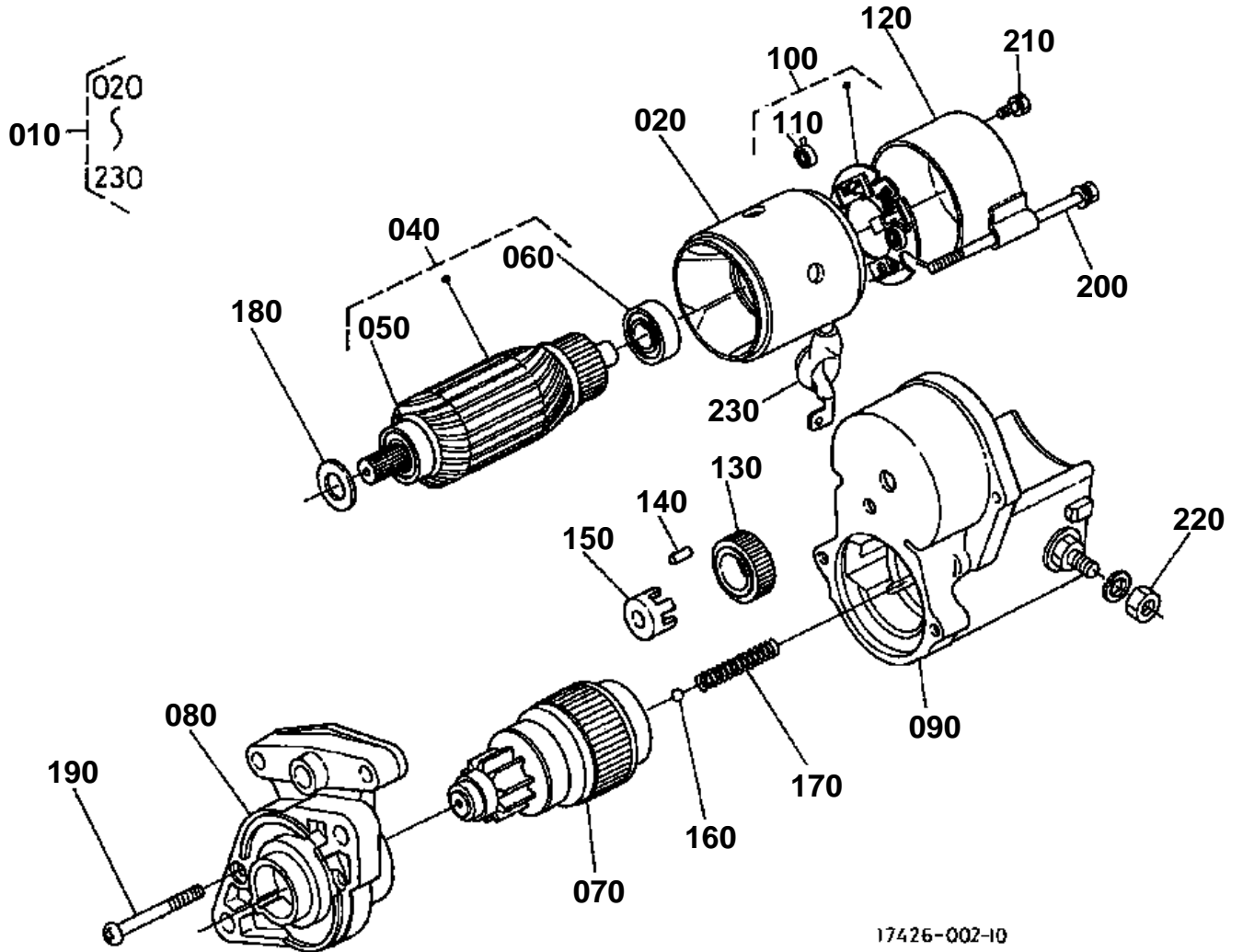


STARTER

↔ Interchangeable; ≠ not interchangeable; ← new for old; → old for new

REF.No	Part No.	Description	Q'ty	S.No.	I/C	REMARKS	Weight (kgf)	Weight (lb)
010	15741-63010	ASSY STARTER	1				4.15	9.13
020	66905-51160	GASKET	1				0.002	0.0044
030	01123-50838	BOLT	1				0.02	0.044
040	02156-50080	NUT	1				0.004	0.0088
050	04512-60080	WASHER SPRING	1				0.002	0.0044

STARTER [COMPONENT PARTS]

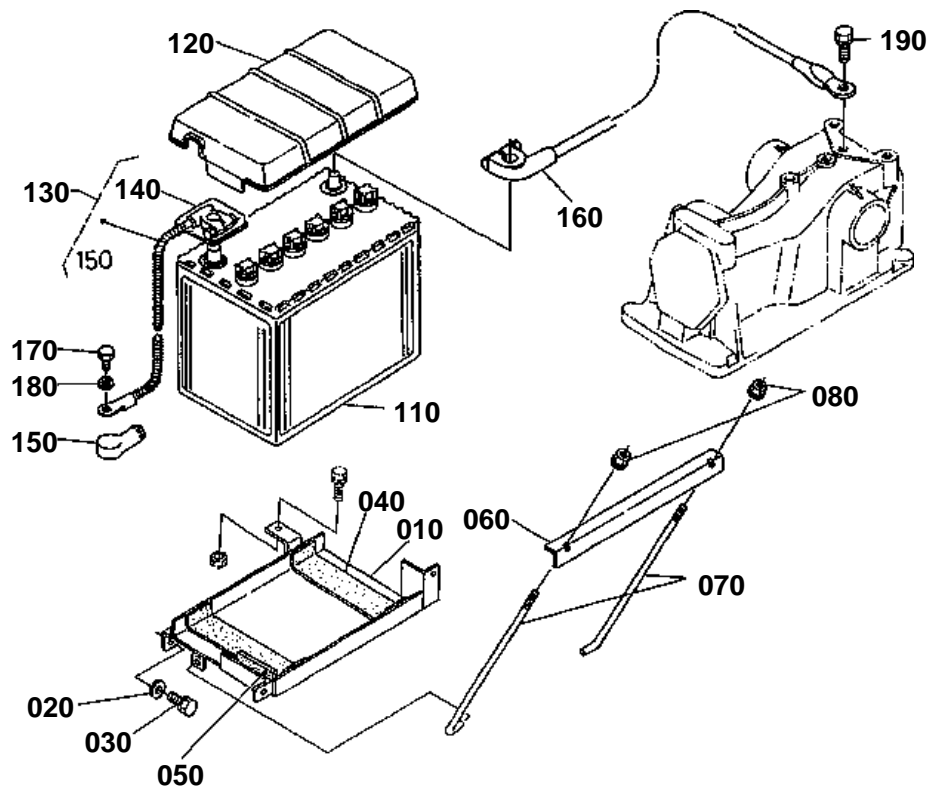


**STARTER [COMPONENT PARTS]**

↔ Interchangeable; ≠ not interchangeable; ← new for old; → old for new

REF.No	Part No.	Description	Q'ty	S.No.	I/C	REMARKS	Weight (kgf)	Weight (lb)
010	15741-63010	ASSY STARTER	1				4.15	9.13
020	15501-63080	YOKE	1				0.675	1.485
030	15501-63370	BRUSH	2				0.01	0.022
040	15501-63070	ARMATURE	1				0.78	1.716
050	15504-63500	BEARING BALL	1				0.02	0.044
060	15504-63530	BEARING BALL	1				0.04	0.088
070	15504-63040	CLUTCH	1				0.725	1.595
080	15504-63030	HOUSING	1				0.385	0.847
090	15504-63020	SWITCH MAGNETIC	1				0	0
100	15501-63380	HOLDER BRUSH	1				0.075	0.165
110	15401-63390	SPRING BRUSH	4				0.003	0.0066
120	15501-63200	FRAME END	1				0.08	0.176
130	11233-63280	GEAR	1				0.1	0.22
140	19212-63100	ROLLER	5				0.002	0.0044
150	19212-63110	RETAINER	1				0.002	0.0044
160	19212-97130	BALL	1				0.003	0.0066
170	19212-63120	SPRING	1				0.004	0.0088
180	15501-96670	WASHER FELT	1				0.005	0.011
190	15501-93310	SCREW	2				0.01	0.022
200	15501-63320	BOLT THROUGH	2				0.03	0.066
210	15501-91020	BOLT	2				0.01	0.022
220	13963-92010	NUT HEXAGON	1				0.005	0.011
230	15504-63120	COVER CORD	1				0.06	0.132

BATTERY

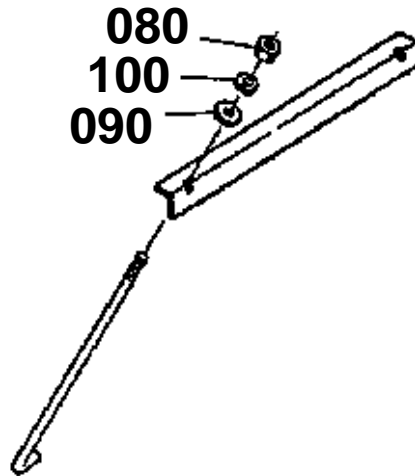


66418-005-10

080 02014-50060

090 04013-60060

100 04512-60060



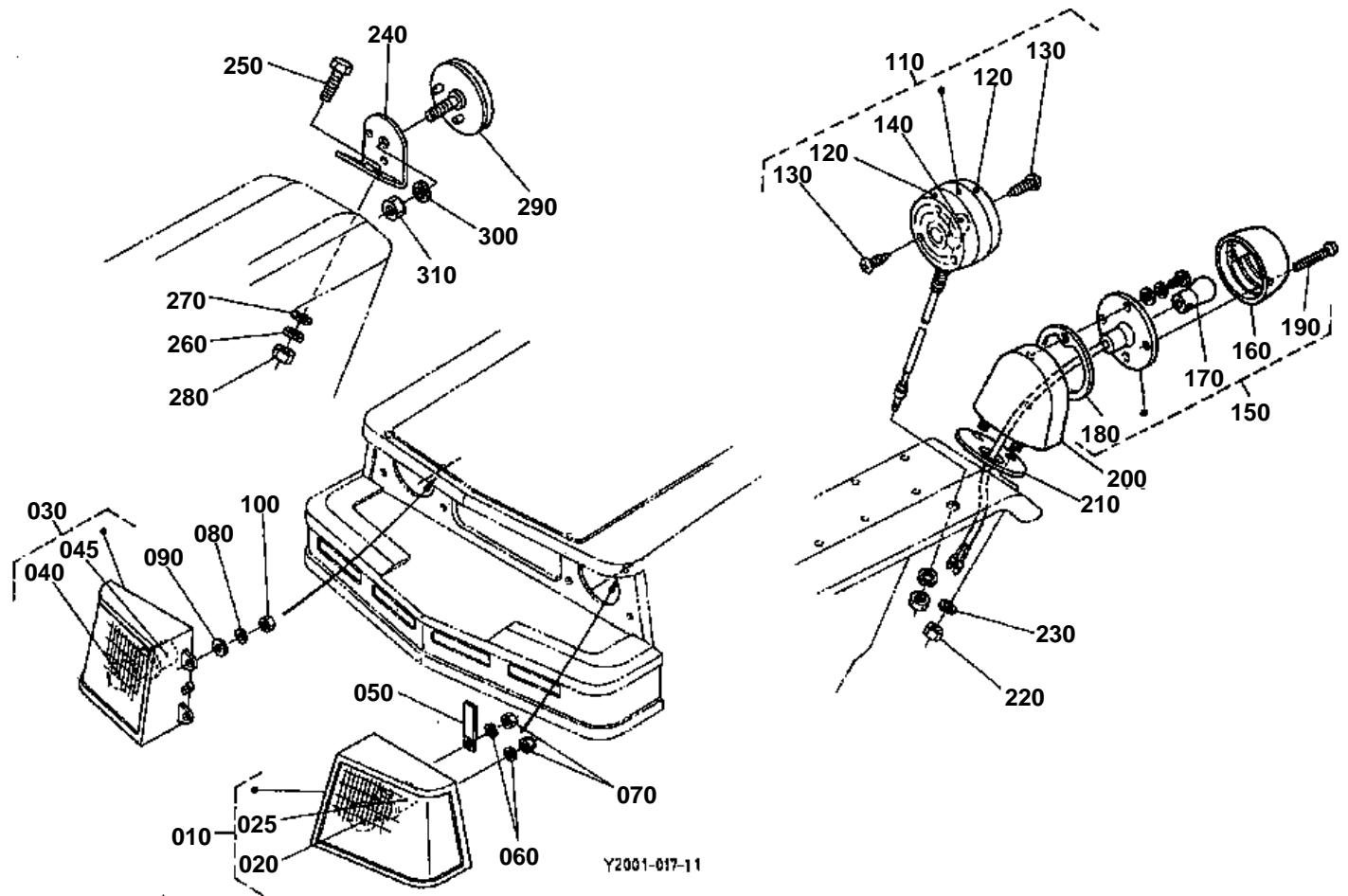
66418-801-10

**BATTERY**

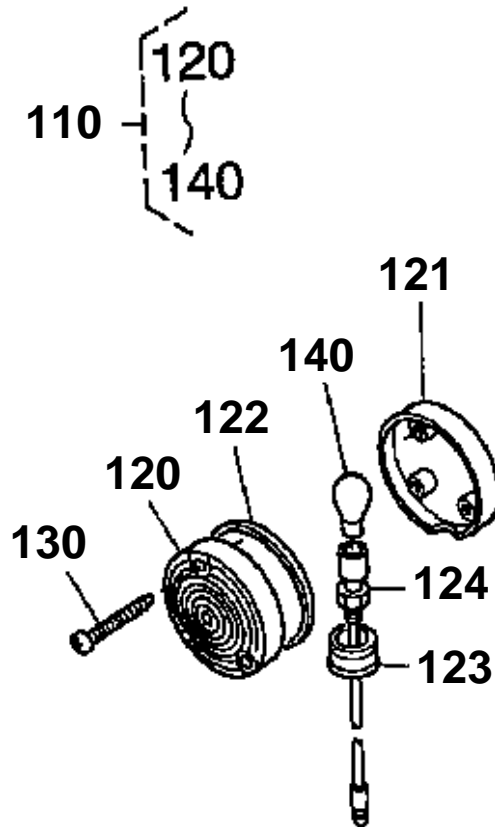
↔ Interchangeable; ≠ not interchangeable; ← new for old; → old for new

REF.No	Part No.	Description	Q'ty	S.No.	I/C	REMARKS	Weight (kgf)	Weight (lb)
010	66361-52350	SUPPORT BATTERY	1				1.35	2.97
020	04013-50080	WASHER PLAIN	1				0	0
030	01123-50818	BOLT	3				0.012	0.0264
040	34150-33220	CUSHION	2				0.015	0.033
050	67800-53620	RUBBER	1				0.015	0.033
060	34150-33272	RETAINER BATTERY	1				0.18	0.396
070	38240-33295	BOLT HOOK	2				0.05	0.11
080	02014-50060	NUT	2	<=10227			0.002	0.0044
080	02751-50060	NUT FLANGE	2	>=10228	≠		0.005	0.011
090	04013-60060	WASHER PLAIN	2	<=10227			0.001	0.0022
100	04512-60060	WASHER SPRING	2	<=10227			0.001	0.0022
110	67800-55610	BATTERY	1				10.4	22.88
120	67800-55622	COVER BATTERY	1				0.1	0.22
130	67817-55710	ASSY CORD BATTERY(+)	1				0.2	0.44
140	67111-55740	CAP	1				0.01	0.022
150	67800-55760	CAP TERMINAL	1				0.01	0.022
160	37410-55740	CORD BATTERY EARTH	1	<=10064			0	0
160	37410-55742	CORD BATTERY EARTH	1	>=10065	↔		0.175	0.385
170	01153-51018	BOLT	1				0.015	0.033
180	04512-60100	WASHER SPRING	1				0.002	0.0044
190	01123-51020	BOLT	1				0.02	0.044

LIGHT



- 110 35450-7501-0
- 120 35450-7511-0
- 121 35450-7505-0
- 122 35450-7506-0
- 123 35450-7507-0
- 124 35450-7509-0
- 130 35450-7508-0
- 140 35450-7502-2

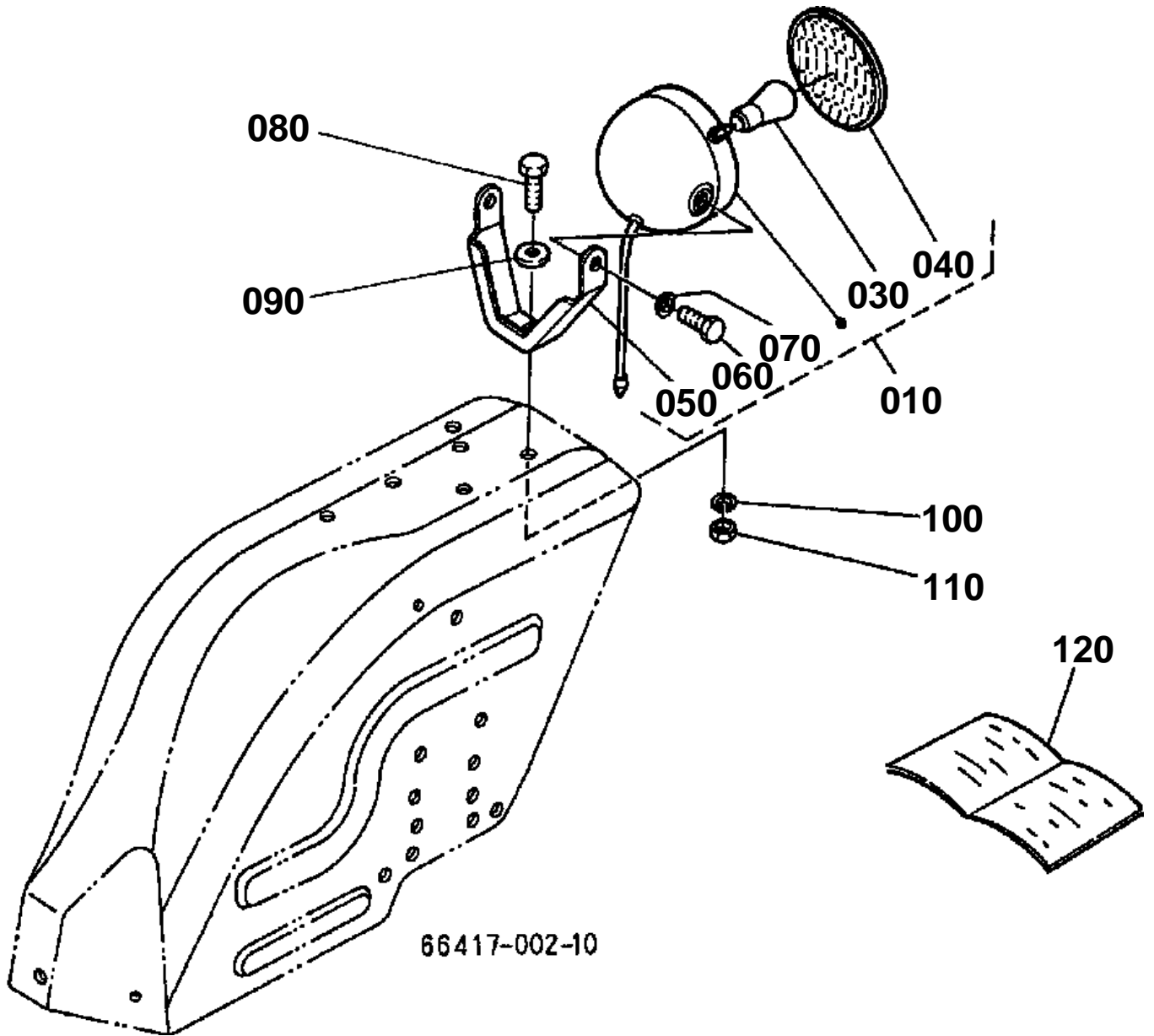


66417-802-10

**LIGHT**

↔ Interchangeable; ≠ not interchangeable; ← new for old; → old for new

REF.No	Part No.	Description	Q'ty	S.No.	I/C	REMARKS	Weight (kgf)	Weight (lb)
010	66416-54350	LIGHT HEAD LH	1				0.29	0.638
020	67156-54490	BULB	1				0.02	0.044
025	67156-54500	SOCKET HEAD LIGHT	1				0.01	0.022
030	66416-54360	LIGHT HEAD RH	1				0.29	0.638
040	67156-54490	BULB	1				0.02	0.044
045	67156-54500	SOCKET HEAD LIGHT	1				0.01	0.022
050	15241-67580	CLAMP CORD	3				0.004	0.0088
060	04512-60060	WASHER SPRING	4				0.001	0.0022
070	02014-50060	NUT	4				0.002	0.0044
080	04512-50050	WASHER SPRING	4				0	0
090	04013-60050	WASHER PLAIN	4				0.001	0.0022
100	02054-50050	NUT	4				0.002	0.0044
110	35450-75010	ASSY LIGHT HAZARD	2	≤10128			0.3	0.66
110	32530-33610	ASSY LIGHT HAZARD	2	≥10129	↔		0.38	0.836
120	35450-75110	LENS	2	≤10128			0.07	0.154
120	32530-91510	LENS HAZARD LIGHT	4	≥10129	≠		0.085	0.187
121	35450-75050	LENS	2	≤10128			0.07	0.154
122	35450-75060	GASKET SEAL	2	≤10128			0.02	0.044
123	35450-75070	HOUSING	2	≤10128			0.04	0.088
124	35450-75090	ASSY SOCKET	2	≤10128			0.035	0.077
130	35450-75080	SCREW TAPPING	6	≤10128			0.005	0.011
130	32530-91520	SCREW TAPPING	12	≥10129	≠		0.001	0.0022
140	35450-75022	BULB HAZARD FLASHER	2	≤10128			0.008	0.0176
140	32530-91530	BULB LIGHT	2	≥10129	≠		0.02	0.044
150	34350-34100	ASSY LIGHT TAIL	1				0	0
160	34350-34120	LENS TAIL LIGHT	1				0.05	0.11
170	34350-34140	BULB TAIL LIGHT	1				0.008	0.0176
180	34350-99220	GASKET LENS	1				0	0
190	03056-50335	SCREW CSK-HD	2				0.001	0.0022
200	66416-55540	BRACKET TAIL LIGHT	1				0	0
210	67800-55530	CUSHION	1				0.015	0.033
220	02014-50060	NUT	2				0.002	0.0044
230	04512-60060	WASHER SPRING	2				0.001	0.0022
240	66416-52730	STAY REFLETOR	1				0.07	0.154
250	01053-50616	BOLT	2				0.005	0.011
260	04512-60060	WASHER SPRING	2				0.001	0.0022
270	04013-60060	WASHER PLAIN	2				0.001	0.0022
280	02014-50060	NUT	2				0.002	0.0044
290	67601-55730	ASSY REFLECTOR	1				0.02	0.044
300	04512-50050	WASHER SPRING	1				0	0
310	02054-50050	NUT	1				0.002	0.0044

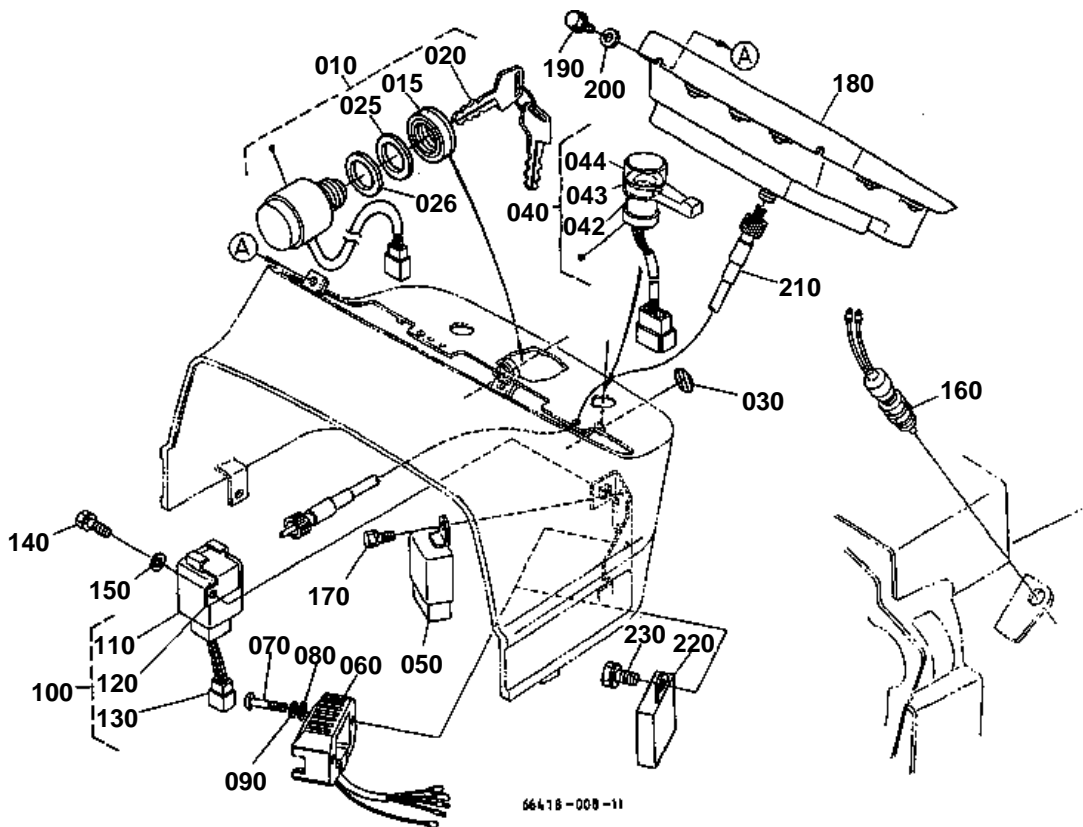


**WORKING LIGHT [OPTION]**

↔ Interchangeable; ≠ not interchangeable; ← new for old; → old for new

REF.No	Part No.	Description	Q'ty	S.No.	I/C	REMARKS	Weight (kgf)	Weight (lb)
010	35871-75900	ASSY LIGHT WORKING	1				0.85	1.87
030	68331-53360	BULB	1				0.015	0.033
040	68331-53310	LENS	1				0.15	0.33
050	35861-75910	STAY HEAD LIGHT	1				0.25	0.55
060	01153-50820	BOLT	2				0.012	0.0264
070	04512-60080	WASHER SPRING	2				0.002	0.0044
080	01153-50818	BOLT	1				0.01	0.022
090	04013-60080	WASHER PLAIN	1				0.002	0.0044
100	04512-60080	WASHER SPRING	1				0.002	0.0044
110	02114-50080	NUT	1				0.005	0.011
120	67401-85512	MANUAL INSTRUCTION	1				0.002	0.0044

PANEL/SWITCH



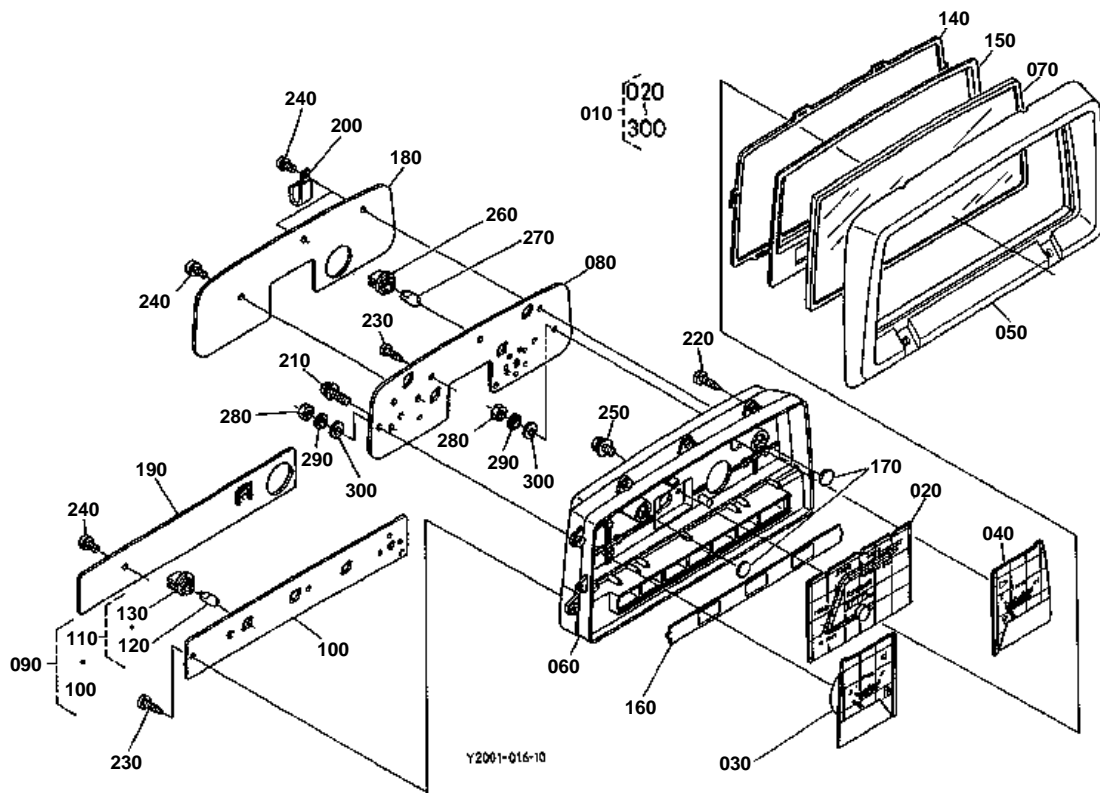


PANEL/SWITCH

↔ Interchangeable; ≠ not interchangeable; ← new for old; → old for new

REF.No	Part No.	Description	Q'ty	S.No.	I/C	REMARKS	Weight (kgf)	Weight (lb)
010	37410-59110	ASSY SWITCH STARTER	1				0.32	0.704
015	37410-55180	CAP STARTER SWITCH	1				0.001	0.0022
020	37410-55150	KEY STARTER	1				0.025	0.055
025	66416-55170	WASHER	1				0.001	0.0022
026	66416-55170	WASHER	1				0.001	0.0022
030	35110-32420	PLUG	1	<=10227			0.002	0.0044
030	66416-47170	LABEL COVER	1	>=10228	↔		0.001	0.0022
040	67156-55210	SWITCH COMBINATION	1				0.095	0.209
042	67156-55230	NUT RING	1				0.003	0.0066
043	67156-55240	LEVER FLASHER	1				0.004	0.0088
044	67156-55250	KNOB LIGHT	1				0.004	0.0088
050	31351-31410	TIMER	1	<=10227			0	0
050	T0070-31410	TIMER KEY STOP	1	>=10228	←		0.065	0.143
060	19267-64600	ASSY REGULATOR	1	<=10194		[A] [AU] [NZ]	0	0
060	19267-64602	ASSY REGULATOR	1	>=10195	←	[A] [AU] [NZ]	0	0
060	RP201-53710	ASSY REGULATOR	1	>=10272	↔	[A] [AU] [NZ]	0.182	0.4004
070	03014-50625	SCREW	2			[A] [AU] [NZ]	0	0
080	04012-50060	WASHER PLAIN	2			[A] [AU] [NZ]	0.001	0.0022
090	04512-60060	WASHER SPRING	2			[A] [AU] [NZ]	0.001	0.0022
100	32430-33700	ASSY HAZARD UNIT	1				0.095	0.209
110	32430-94260	BODY HAZARD UNIT	1				0.045	0.099
120	32430-94270	BRACKET HAZARD UNIT	1				0.015	0.033
130	32430-94280	HARNES HAZARD UNIT	1				0.02	0.044
140	01202-50620	BOLT	1				0.007	0.0154
150	04013-60060	WASHER PLAIN	1				0.001	0.0022
160	66416-55810	ASSY SWITCH SAFETY	1				0.11	0.242
170	01023-50610	BOLT	1				0.005	0.011
180	66416-55120	ASSY PANEL GAUGE	1	<=10227			0	0
180	66416-55122	ASSY PANEL GAUGE	1	>=10228	←		1.74	3.828
190	31351-18790	BOLT FLANGE	4				0.007	0.0154
200	31351-18860	WASHER	4				0.002	0.0044
210	66416-55310	CABLE HOUR METER	1				0.268	0.5896
230	01023-50610	BOLT	2				0.005	0.011

PANEL BOARD [COMPONENT PARTS]

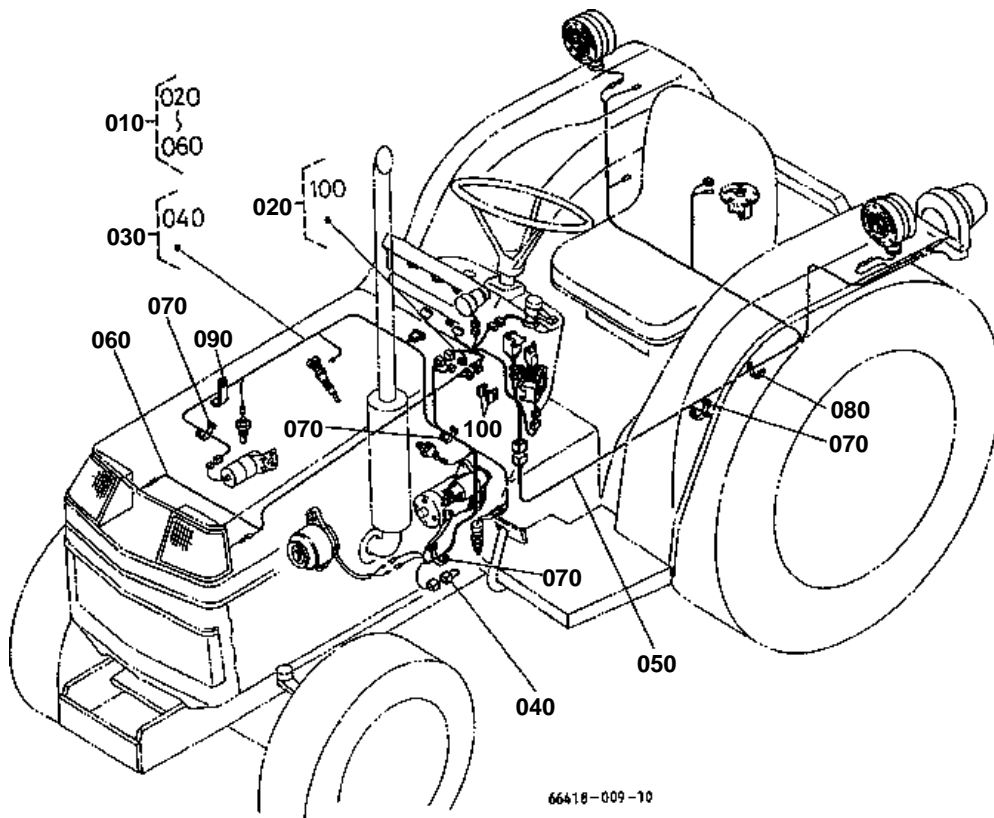




PANEL BOARD [COMPONENT PARTS]

↔ Interchangeable; ≠ not interchangeable; ← new for old; → old for new

REF.No	Part No.	Description	Q'ty	S.No.	I/C	REMARKS	Weight (kgf)	Weight (lb)
010	66416-55120	ASSY PANEL GAUGE	1	<=10227			0	0
010	66416-55122	ASSY PANEL GAUGE	1	>=10228	←		1.74	3.828
020	66426-81010	ASSY TACHOMETER	1				0.1	0.22
030	66426-81020	ASSY METER FUEL	1				0.12	0.264
040	66426-81030	ASSY THERMOMETER	1				0.1	0.22
050	67156-93750	HOOD	1				0.28	0.616
060	66426-81040	CASE	1				0.5	1.1
070	31351-93760	GLASS WITH GASKET	1				0.475	1.045
080	66426-81050	ASSY PLATE METER	1				0.2	0.44
090	67156-93760	ASSY PLATE	1				0.12	0.264
100	67156-93780	ASSY PLATE	1				0.03	0.066
110	38240-31460	BULB	3				0.015	0.033
120	38240-31470	BULB	3				0.01	0.022
130	38240-31480	SOCKET	3				0.001	0.0022
140	31351-93790	GASKET RUBBER	1				0.055	0.121
150	66426-81070	PLATE WIND	1				0.2	0.44
160	67156-93770	LENS	1				0.04	0.088
170	31351-93820	LENS	2				0.005	0.011
180	34670-93830	CASE	1				0.195	0.429
190	31351-93840	CASE	1				0.13	0.286
200	31351-93850	CLAMP	2				0.04	0.088
210	35533-76230	SCREW WITH WASHER	1				0.002	0.0044
220	03514-50420	SCREW	11				0.002	0.0044
230	03514-50425	SCREW TAPPING	5				0.001	0.0022
240	03514-50414	SCREW TAPPING	5				0.001	0.0022
250	32530-94900	SCREW WITH WASHER	2				0.002	0.0044
260	38240-31480	SOCKET	7				0.001	0.0022
270	38240-31470	BULB	7				0.01	0.022
280	02054-50040	NUT	5				0.001	0.0022
290	04512-50040	WASHER SPRING	5				0	0
300	66426-81100	WASHER PLAIN	5				0.001	0.0022



66418-009-10

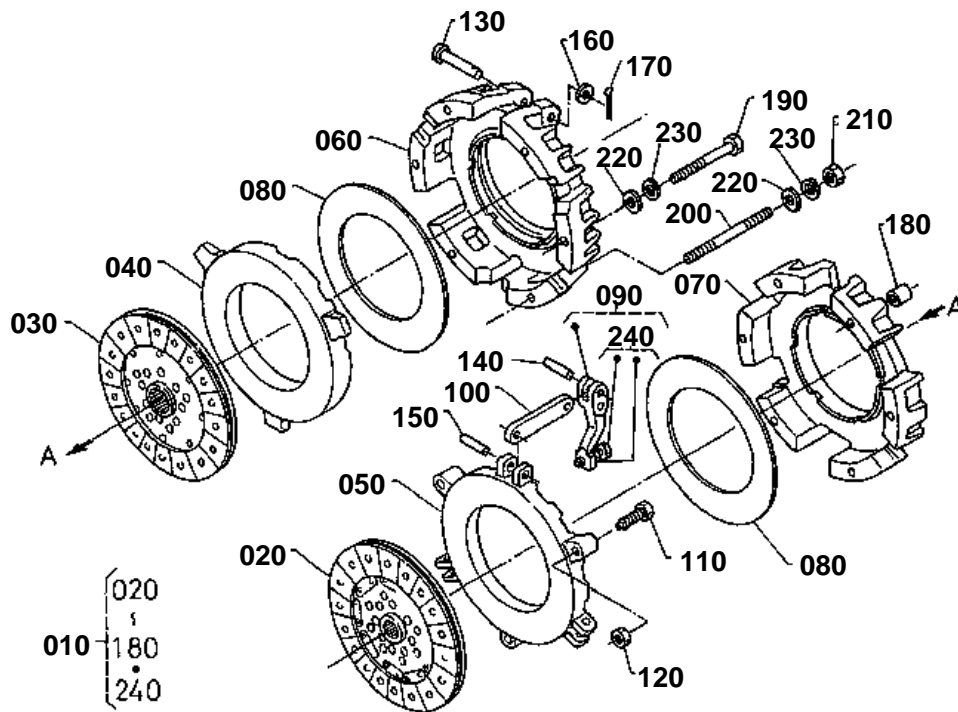


WIRE HARNESS [A][AU][NZ]

↔ Interchangeable; ≠ not interchangeable; ← new for old; → old for new

REF.No	Part No.	Description	Q'ty	S.No.	I/C	REMARKS	Weight (kgf)	Weight (lb)
010	66418-55100	ASSY WIRE HARNESS	1				0.28	0.616
020	66418-55110	WIRE HARNESS	1				0.39	0.858
030	66418-55120	WIRE HARNESS	1				0.28	0.616
040	67111-55190	RING FUSIBLE	1				0.005	0.011
050	66418-55130	WIRE HARNESS	1				0.28	0.616
060	66418-55150	WIRE HARNESS	1				0.07	0.154
070	53581-64150	BAND CORD	5				0.002	0.0044
080	55311-41260	BAND CORD	1				0.007	0.0154
090	35340-29380	CLAMP CORD	1				0.01	0.022
100	35820-75560	FUSE AUTO	2			15A	0.002	0.0044

CLUTCH



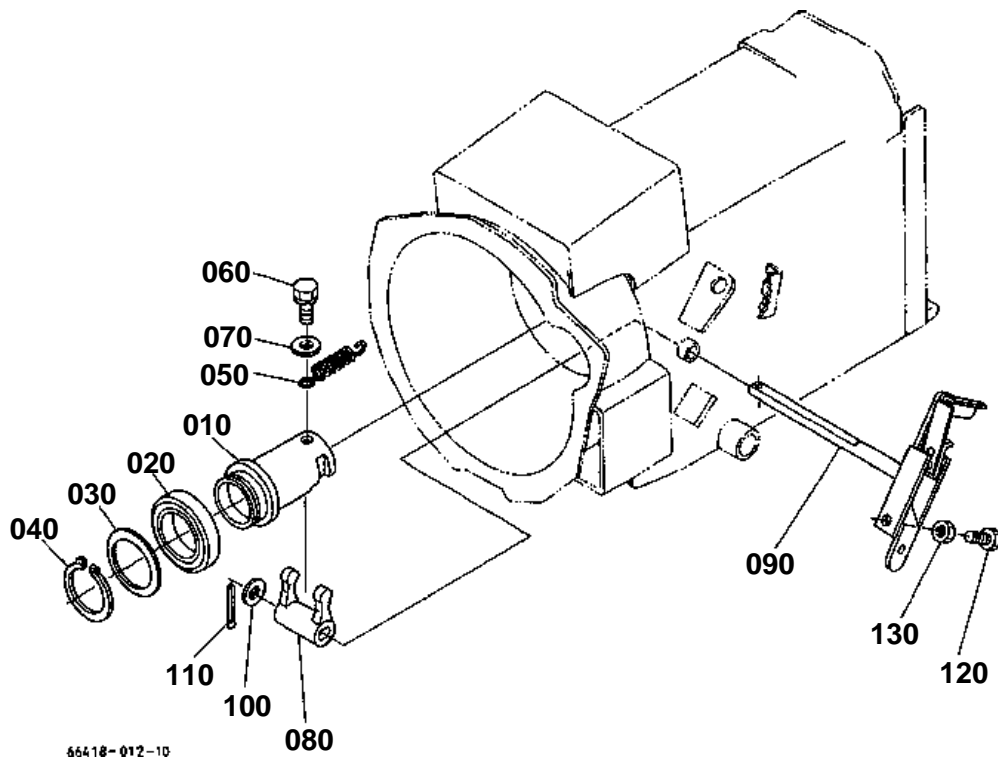
66418-010-10

**CLUTCH**

↔ Interchangeable; ≠ not interchangeable; ← new for old; → old for new

REF.No	Part No.	Description	Q'ty	S.No.	I/C	REMARKS	Weight (kgf)	Weight (lb)
010	67817-14200	ASSY CLUTCH DUAL	1	<=845680			0	0
010	66438-14200	ASSY CLUTCH DUAL	1	>=845681	↔		18.2	40.04
020	67817-14210	COMP.DISK CLUTCH	1	<=845680			0	0
020	66438-14210	COMP.DISK CLUTCH	1	>=845681	↔		1	2.2
030	38260-14450	COMP.DISK CLUTCH	1	<=845680			0	0
030	32425-14450	COMP.DISK CLUTCH	1	>=845681	↔		1	2.2
040	38260-14430	PLATE PRESSURE	1				2.1	4.62
050	35290-14440	PLATE PRESSURE	1				2.1	4.62
060	38260-14410	COVER CLUTCH	1				4.7	10.34
070	38260-14420	COVER CLUTCH	1				4.72	10.384
080	38260-14520	SPRING DIAPHRAGM	2				0.318	0.6996
090	35290-99030	COMP LEVER RELEASE	1				0.415	0.913
100	38260-14530	COMP ROD RELEASE	3				0.08	0.176
110	35290-14580	BOLT	3				0.035	0.077
120	02176-50100	NUT	3				0.005	0.011
130	38260-14560	PIN JOINT	3				0.022	0.0484
140	34370-14570	PIN STRAIGHT	3				0.016	0.0352
150	34370-14580	PIN STRAIGHT	3				0.014	0.0308
160	04012-50080	WASHER PLAIN	3				0.001	0.0022
170	38260-14590	PIN SPLIT	3				0.001	0.0022
180	38260-14570	PIPE KNOCK	2				0.007	0.0154
190	01153-50800	BOLT	4				0.036	0.0792
200	32530-14590	STUD	2				0.045	0.099
210	02156-50080	NUT	2				0.004	0.0088
220	04013-50080	WASHER PLAIN	6				0	0
230	04512-60080	WASHER SPRING	6				0.002	0.0044
240	35290-14600	KIT BOLT NUT	1				0.05	0.11

CLUTCH ROD



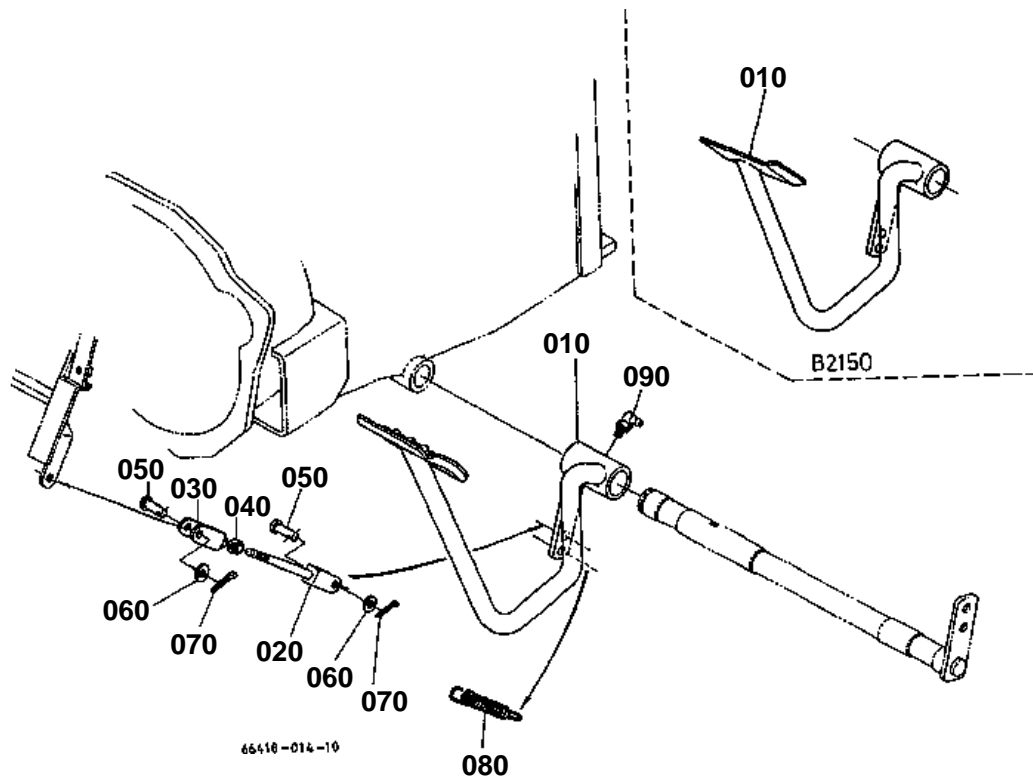


CLUTCH ROD

↔ Interchangeable; ≠ not interchangeable; ← new for old; → old for new

REF.No	Part No.	Description	Q'ty	S.No.	I/C	REMARKS	Weight (kgf)	Weight (lb)
010	67817-13410	HOLDER RELEASE BRG	1				0.75	1.65
020	38430-14820	BEARING THRUST BALL	1				0.27	0.594
030	67817-13420	SPRING PLATE	1				0.001	0.0022
040	38450-44220	CIRCLIP EXTERNAL	1				0.003	0.0066
050	66611-13340	SPRING RELEASE	1				0.006	0.0132
060	01202-50610	BOLT	1				0.004	0.0088
070	04013-60060	WASHER PLAIN	1				0.001	0.0022
080	67817-13450	FORK CLUTCH RELEASE	1				0.15	0.33
090	66418-13460	ASSY ROD CLUTCH	1				0.74	1.628
100	04011-60160	WASHER PLAIN	1				0.01	0.022
110	05511-50425	PIN SPLIT	1				0.003	0.0066
120	66711-13320	BOLT ADJUSTING	1				0.028	0.0616
130	02116-50100	NUT	1				0.004	0.0088

CLUTCH PEDAL



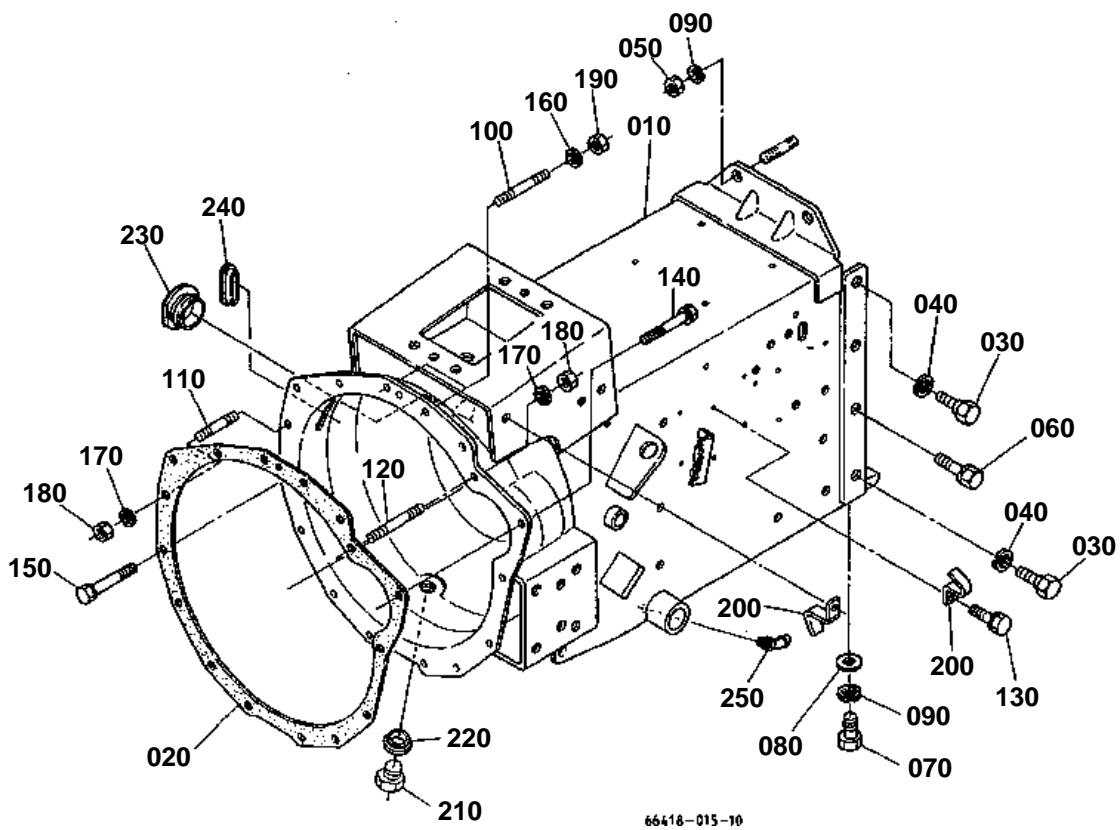


CLUTCH PEDAL

↔ Interchangeable; ≠ not interchangeable; ← new for old; → old for new

REF.No	Part No.	Description	Q'ty	S.No.	I/C	REMARKS	Weight (kgf)	Weight (lb)
010	66418-44110	PEDAL CLUTCH	1				1.99	4.378
020	67817-44123	ROD CLUTCH	1				0.075	0.165
030	67311-42830	U-JOINT	1				0.05	0.11
040	02112-50080	NUT	1				0.003	0.0066
050	05122-50822	PIN JOINT	2				0.01	0.022
060	04012-50080	WASHER PLAIN	2				0.001	0.0022
070	05511-50215	PIN SPLIT	2				0.001	0.0022
080	67817-44140	SPRING RETURN	1				0.07	0.154
090	67111-44250	NIPPLE GREASE	1				0.005	0.011

CLUTCH HOUSING



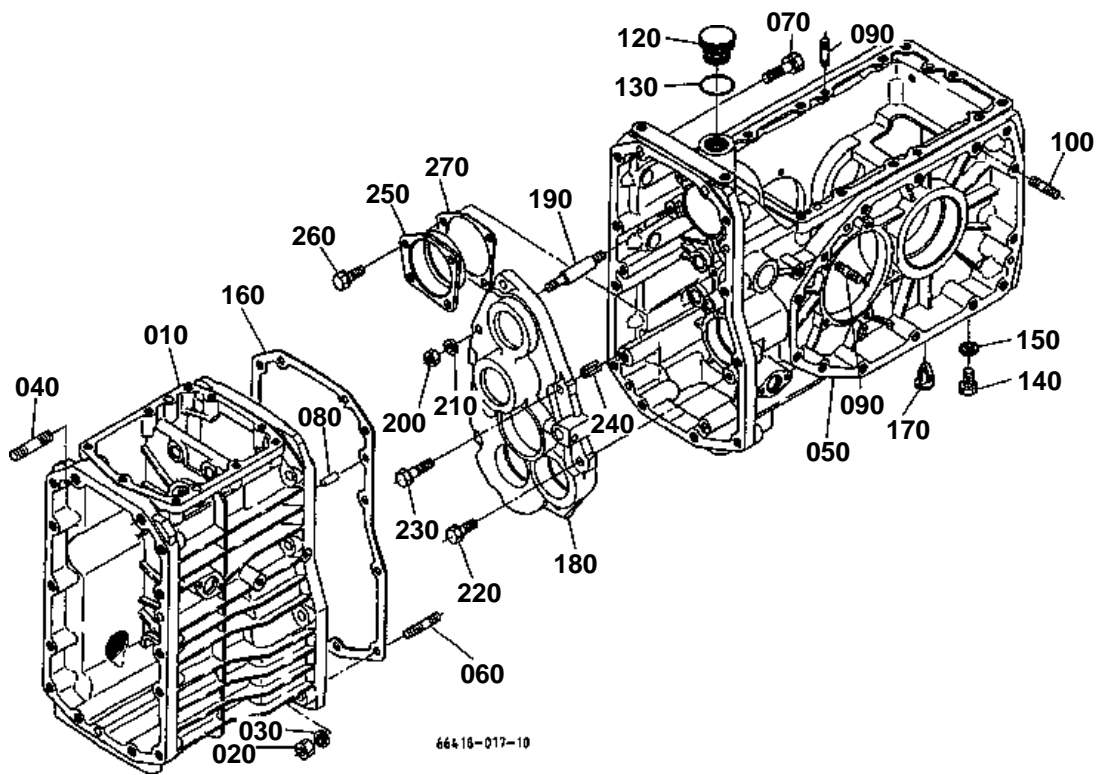
66418-015-10

**CLUTCH HOUSING**

↔ Interchangeable; ≠ not interchangeable; ← new for old; → old for new

REF.No	Part No.	Description	Q'ty	S.No.	I/C	REMARKS	Weight (kgf)	Weight (lb)
010	66418-51110	HOUSING FRAME CLUTCH	1	<=10092			0	0
010	66418-51113	HOUSING FRAME CLUTCH	1	>=10093	←		25	55
020	66385-51130	GASKET	1				0	0
030	67111-51150	BOLT REAMER	4				0.04	0.088
040	04512-60140	WASHER SPRING	4				0.008	0.0176
050	02176-50120	NUT	2				0.01	0.022
060	01123-51230	BOLT	4				0.04	0.088
070	01153-51225	BOLT	2				0.032	0.0704
080	04013-60120	WASHER PLAIN	2				0.01	0.022
090	04512-50120	WASHER SPRING	4				0	0
100	01517-51065	STUD	2				0.043	0.0946
110	01518-50855	STUD	1				0.02	0.044
120	01518-50880	STUD	1				0.02	0.044
130	01123-50825	BOLT	3				0.013	0.0286
140	01123-50855	BOLT	3				0.02	0.044
150	01123-50865	BOLT	1				0.028	0.0616
160	04512-60100	WASHER SPRING	2				0.002	0.0044
170	04512-60080	WASHER SPRING	2				0.002	0.0044
180	02114-50080	NUT	3				0.005	0.011
190	02118-50100	NUT	2				0.005	0.011
200	35340-29380	CLAMP COAD	3				0.01	0.022
210	06331-35016	PLUG	1				0.04	0.088
220	04717-01600	WASHER WITH RUBBER	1				0.003	0.0066
230	67800-51192	COVER TIMING HOLE	1				0.01	0.022
240	66301-51250	CAP RUBBER	1				0.012	0.0264
250	67111-44250	NIPPLE GREASE	1				0.005	0.011

TRANSMISSION CASE

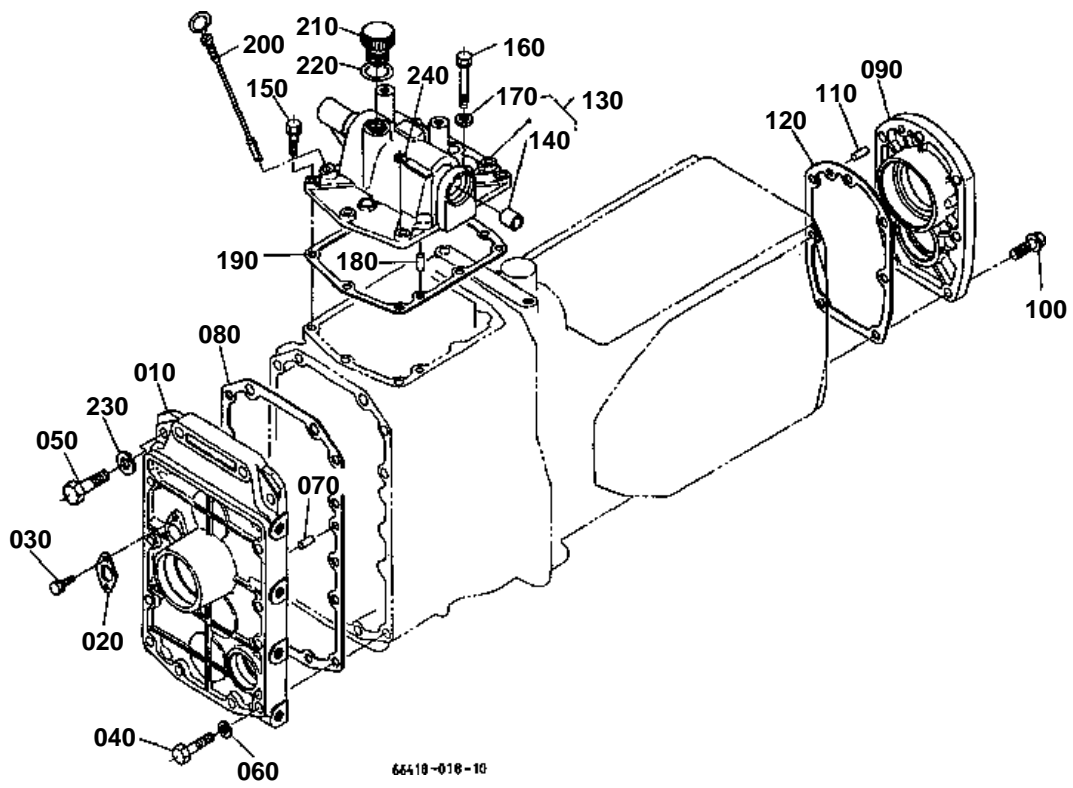


**TRANSMISSION CASE**

↔ Interchangeable; ≠ not interchangeable; ← new for old; → old for new

REF.No	Part No.	Description	Q'ty	S.No.	I/C	REMARKS	Weight (kgf)	Weight (lb)
010	67817-11110	CASE TRANSMISSION	1				5	11
020	02176-50100	NUT	10				0.005	0.011
030	04512-60100	WASHER SPRING	10				0.002	0.0044
040	01554-51245	STUD	2				0.045	0.099
050	66301-11120	CASE DIFF.GEAR	1				12	26.4
060	01554-51040	STUD	10				0.029	0.0638
070	01123-51050	BOLT	2				0.035	0.077
080	05012-00818	PIN STRAIGHT	2				0.013	0.0286
090	01554-51030	STUD	4				0.02	0.044
100	01554-51040	STUD	2				0.029	0.0638
110	99999-99999	BLANK	0				0	0
120	06314-60060	PLUG OIL FILLER	1				0.029	0.0638
130	04811-00260	O RING	1				0	0
140	06331-35016	PLUG	1				0.04	0.088
150	04717-01600	WASHER WITH RUBBER	1				0.003	0.0066
160	66385-11130	GASKET	1				0	0
170	67211-11140	PLUG	4				0.001	0.0022
180	67800-11413	RETAINER BEARING	1				2.6	5.72
190	67800-11432	STUD	1				0.06	0.132
200	02114-50080	NUT	1				0.005	0.011
210	04512-60080	WASHER SPRING	1				0.002	0.0044
220	01123-50825	BOLT	3				0.013	0.0286
230	01123-50840	BOLT	2				0.018	0.0396
240	67111-11420	PIN KNOCK	2				0.005	0.011
250	66361-11510	HOLDER BEARING	1				0.14	0.308
260	01123-50820	BOLT	4				0.011	0.0242
270	67111-11540	SHIM	1			0.2MM	0.003	0.0066
270	67111-11550	SHIM	1			0.5MM	0.01	0.022
270	67111-11560	SHIM	1			0.8MM	0.01	0.022

TRANSMISSION CASE COVER

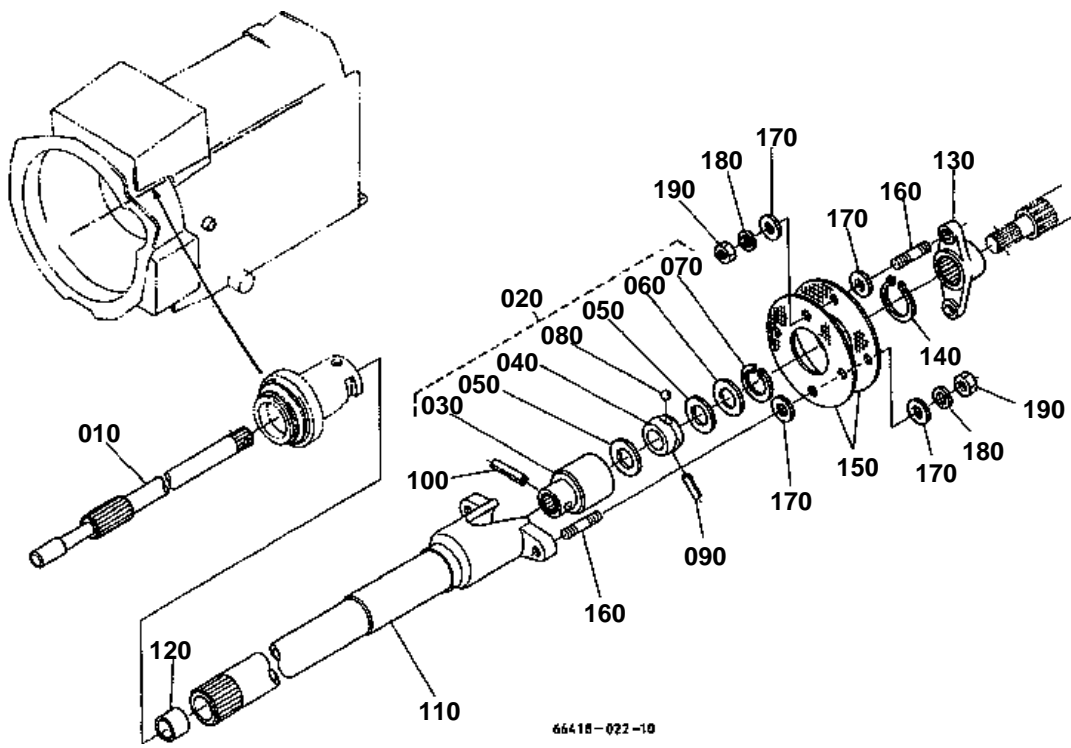


**TRANSMISSION CASE COVER**

↔ Interchangeable; ≠ not interchangeable; ← new for old; → old for new

REF.No	Part No.	Description	Q'ty	S.No.	I/C	REMARKS	Weight (kgf)	Weight (lb)
010	67817-12110	COVER FRONT	1				6.5	14.3
020	67111-12120	WASHER LOCK	1				0.013	0.0286
030	01202-50614	BOLT	2				0.006	0.0132
040	01153-51050	BOLT	10				0.03	0.066
050	01153-51030	BOLT	2				0.023	0.0506
060	04512-60100	WASHER SPRING	10				0.002	0.0044
070	05012-00818	PIN STRAIGHT	2				0.013	0.0286
080	66385-12130	GASKET	1				0	0
090	67111-12210	COVER REAR	1				1.67	3.674
100	01123-51035	BOLT	7				0.025	0.055
110	05012-00818	PIN STRAIGHT	1				0.013	0.0286
120	66385-12220	GASKET	1				0	0
130	67817-12400	ASSY COVER UPPER F.	1				3.1	6.82
140	67156-18230	BUSH	2				0.01	0.022
150	01123-50828	BOLT	8				0.014	0.0308
160	01123-50860	BOLT	1				0.002	0.0044
170	04013-50080	WASHER PLAIN	2				0	0
180	05012-00818	PIN STRAIGHT	2				0.013	0.0286
190	66385-12420	GASKET	1				0	0
200	67111-12430	GAUGE OIL	1				0.018	0.0396
210	06314-60040	PLUG OIL FILLER	1				0.016	0.0352
220	04811-00200	O RING	1				0	0
230	04512-60100	WASHER SPRING	2				0.002	0.0044
240	35340-29380	CLAMP CORD	1	≤10172			0.01	0.022
240	13824-67580	CLAMP CORD	1	≥10173	↔		0.006	0.0132

PROPELLER SHAFT

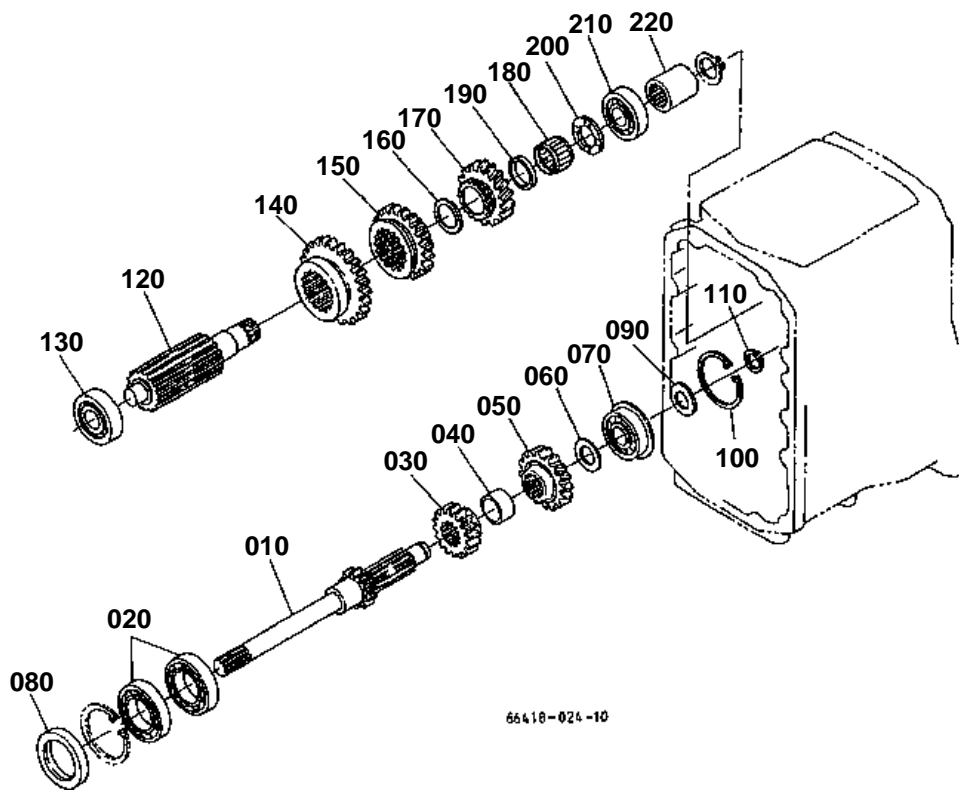




PROPELLER SHAFT

↔ Interchangeable; ≠ not interchangeable; ← new for old; → old for new

REF.No	Part No.	Description	Q'ty	S.No.	I/C	REMARKS	Weight (kgf)	Weight (lb)
010	67817-13610	SHAFT PROPELLER	1	<=10227			0	0
010	67817-13613	SHAFT PROPELLER	1	>=10228	←		1.1	2.42
020	67111-13700	ASSY JOINT BALL	1				0.325	0.715
030	67111-13710	COUPLING BALL OUTER	1				0.225	0.495
040	67111-13720	COUPLING BALL INNER	1				0.075	0.165
050	67111-13730	GASKET BALL JOINT	2				0.002	0.0044
060	67111-13740	SUPPORT GASKET	1				0.004	0.0088
070	04611-00350	CIR CLIP INTERNAL	1				0.003	0.0066
080	07715-00803	BALL	4				0.004	0.0088
090	05411-00632	PIN SPRING	1				0.004	0.0088
100	05411-00640	PIN SPRING	1				0.006	0.0132
110	67817-13810	SHAFT PROPELLER	1				1.95	4.29
120	67817-13820	BUSH	1				0.02	0.044
130	67817-13830	FLANGE	1				0.33	0.726
140	04612-00350	CIRCLIP EXTERNAL	1				0.01	0.022
150	67817-13840	PLATE COUPLING	2				0.025	0.055
160	01517-61022	STUD	4				0.019	0.0418
170	04015-50100	WASHER PLAIN	8				0	0
180	04512-60100	WASHER SPRING	4				0.002	0.0044
190	02118-50100	NUT	4				0.005	0.011



66418-024-10

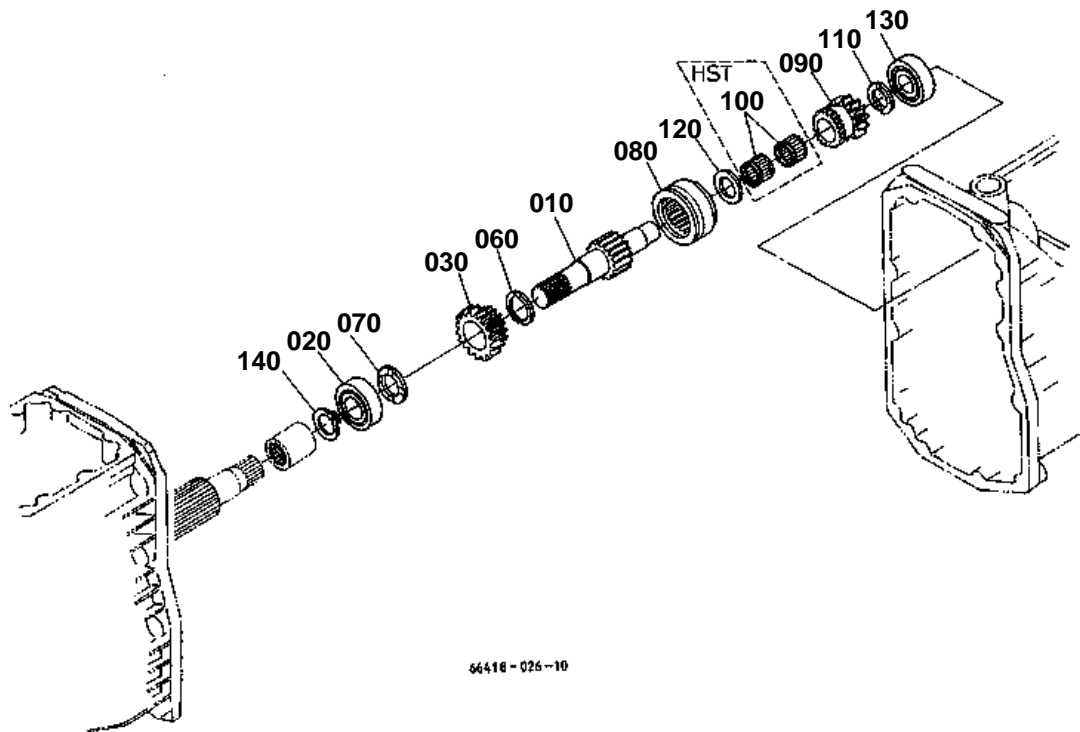


1ST SHAFT/2ND SHAFT

↔ Interchangeable; ≠ not interchangeable; ← new for old; → old for new

REF.No	Part No.	Description	Q'ty	S.No.	I/C	REMARKS	Weight (kgf)	Weight (lb)
010	67817-14110	SHAFT FIRST	1			12T	0.88	1.936
020	08101-06007	BEARING BALL	2				0.16	0.352
030	67111-14120	GEAR	1			16T	0.22	0.484
040	67111-14140	COLLAR	1				0.024	0.0528
050	67111-14150	GEAR	1			20T	0.33	0.726
060	67111-14160	COLLAR	1				0.01	0.022
070	08151-06304	BEARING BALL	1				0.148	0.3256
080	67817-14190	SEAL OIL	1				0.038	0.0836
090	67800-14210	SHIM	3			0.2MM	0.001	0.0022
090	67800-14220	SHIM	3			0.3MM	0.001	0.0022
100	37410-16170	CIR-CLIP	1				0.005	0.011
110	04612-00200	CIRCLIP EXTERNAL	1				0.001	0.0022
120	67800-14310	SHAFT SECOND	1	<=10227			1.2	2.64
120	67800-14390	SHAFT SECOND	1	>=10228	←		1.25	2.75
130	08101-06304	BEARING BALL	1				0.146	0.3212
140	67817-14320	GEAR	1			32T	0.6	1.32
150	67111-14360	GEAR	1	<=10227		24T	0	0
150	67111-14366	GEAR	1	>=10228	←	24T	0.2	0.44
160	67111-14370	COLLAR	1				0.007	0.0154
170	67111-14410	GEAR	1			20T	0.3	0.66
180	08822-83221	BEARING NEEDLE	1				0.02	0.044
190	67111-14430	COLLAR	1				0.006	0.0132
200	67111-14450	COLLAR	1				0.01	0.022
210	08101-06205	BEARING BALL	1				0.14	0.308
220	67800-14460	BOSS SPLINE	1				0.095	0.209

3RD SHAFT

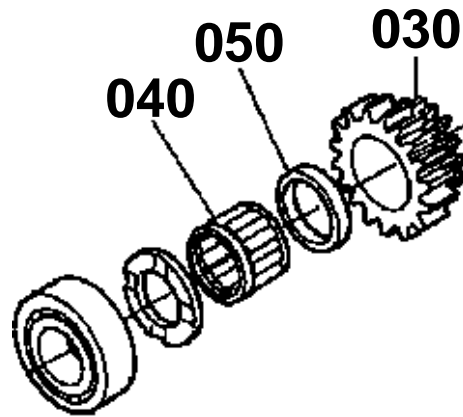


66418 - 026 - 10

030 66301-1483-0

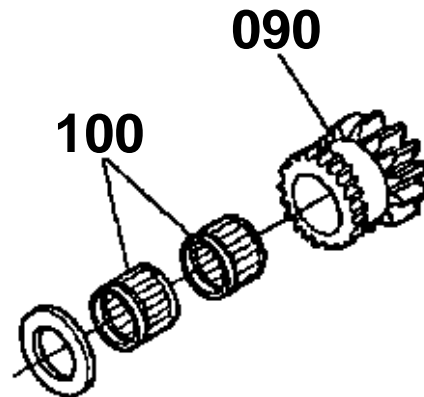
040 08822-83221

050 67111-1443-0



090 67800-1517-2

100 08822-22720



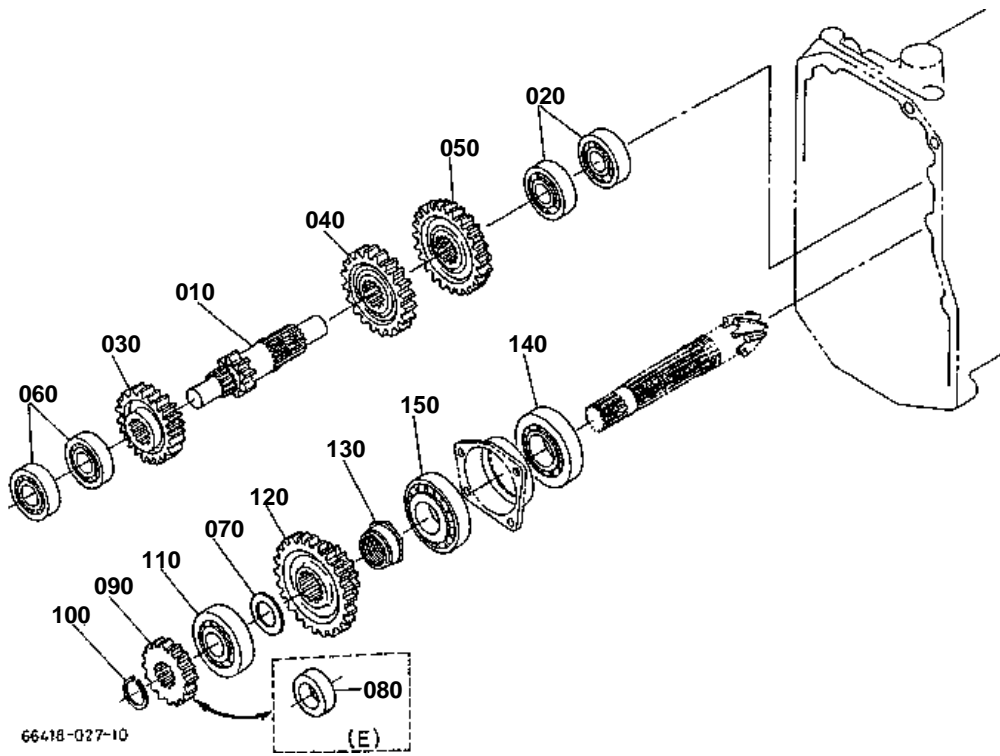
66418-803-10

**3RD SHAFT**

↔ Interchangeable; ≠ not interchangeable; ← new for old; → old for new

REF.No	Part No.	Description	Q'ty	S.No.	I/C	REMARKS	Weight (kgf)	Weight (lb)
010	67800-14810	SHAFT THIRD	1			16T	0.795	1.749
020	67121-56760	BEARING BALL	1	≤10227			0	0
020	67121-56770	BEARING BALL	1	≥10228	←		0.127	0.2794
030	66301-14830	GEAR	1	≤10227		18T	0.25	0.55
030	66301-14833	GEAR	1	≥10228	≠	18T	0.27	0.594
040	08822-83221	BEARING NEEDLE	1	≤10227			0.02	0.044
050	67111-14430	COLLAR	1	≤10227			0.006	0.0132
060	67111-14370	COLLAR	1				0.007	0.0154
070	67111-14450	COLLAR	1				0.01	0.022
080	67800-15140	SHIFTER	1				0.37	0.814
090	67800-15172	GEAR	1	≤10227		13T	0.2	0.44
090	67800-15173	GEAR	1	≥10228	≠	13T	0.245	0.539
100	08822-22720	BEARING NEEDLE	2	≤10227			0.025	0.055
110	67800-14890	COLLAR	1				0.005	0.011
120	67111-15110	COLLAR	1				0.01	0.022
130	67111-14180	BEARING BALL	1	≤10227			0	0
130	37415-17710	BEARING BALL	1	≥10228	←		0.15	0.33
140	04612-00250	CIRCLIP EXTERNAL	1				0.002	0.0044

4TH SHAFT

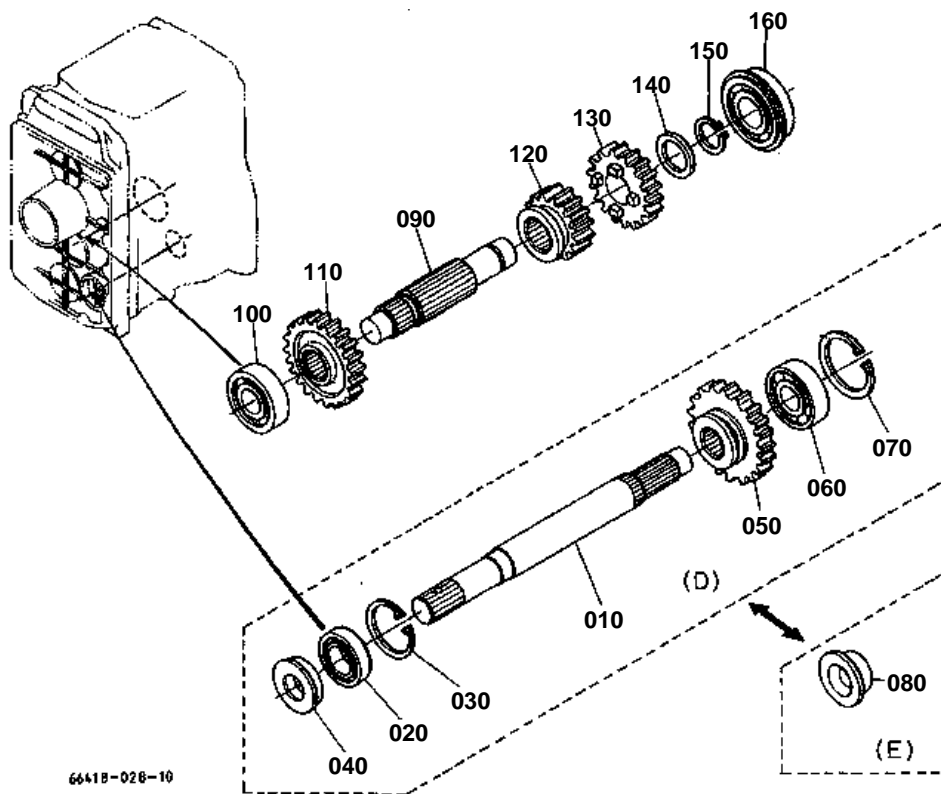




4TH SHAFT

↔ Interchangeable; ≠ not interchangeable; ← new for old; → old for new

REF.No	Part No.	Description	Q'ty	S.No.	I/C	REMARKS	Weight (kgf)	Weight (lb)
010	67800-15210	SHAFT FORTH	1			11T	0.63	1.386
020	08101-06304	BEARING BALL	2				0.146	0.3212
030	66301-15240	GEAR	1			22T	0.35	0.77
040	67111-15220	GEAR	1			25T	0.41	0.902
050	67111-15234	GEAR	1			27T	0.475	1.045
060	08101-06304	BEARING BALL	2				0.146	0.3212
070	67061-14380	COLLAR	1				0.01	0.022
080	67111-15390	COLLAR	1				0.05	0.11
100	04612-00250	CIRCLIP EXTERNAL	1				0.002	0.0044
110	08101-06305	BEARING BALL	1				0.23	0.506
120	67111-15360	GEAR	1			15-29T	0.593	1.3046
130	67111-15372	NUT	1				0	0
140	66361-15380	BEARING TAPER-ROLLER	1				0.29	0.638
150	66361-15390	BEARING TAPER-ROLLER	1				0.23	0.506



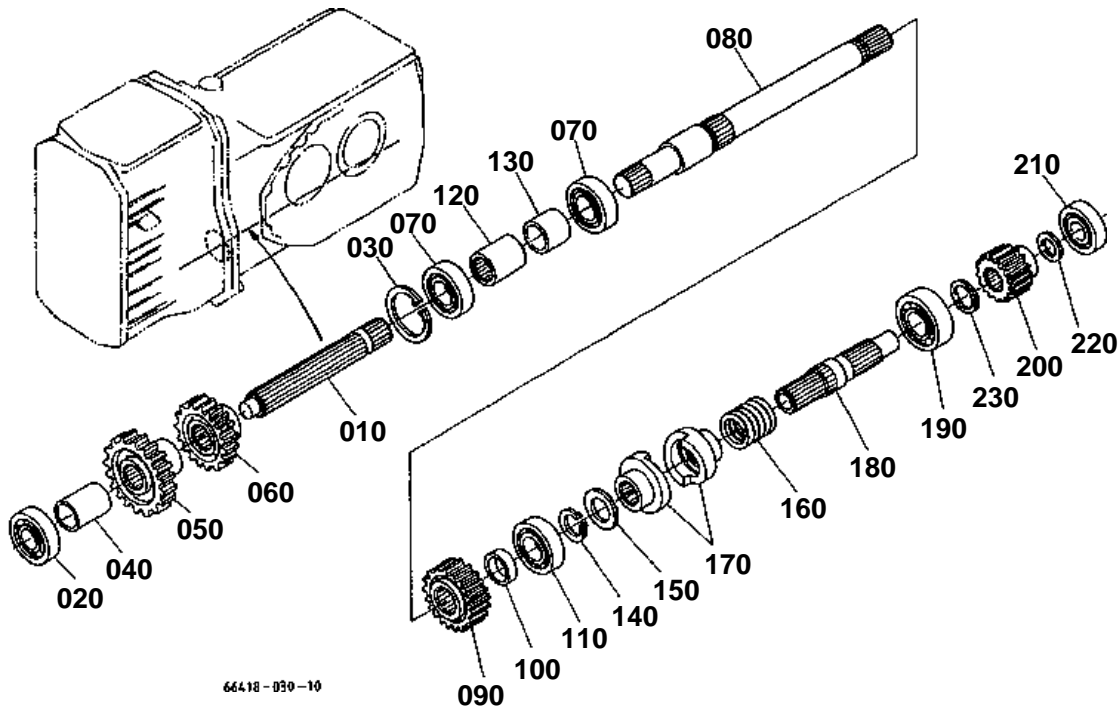


FRONT DRIVE SHAFT/6TH SHAFT

↔ Interchangeable; ≠ not interchangeable; ← new for old; → old for new

REF.No	Part No.	Description	Q'ty	S.No.	I/C	REMARKS	Weight (kgf)	Weight (lb)
080	67111-15610	CAP RUBBER	1				0.03	0.066
090	67817-15710	SHAFT SIXTH	1				0.65	1.43
100	08101-06304	BEARING BALL	1				0.146	0.3212
110	67817-15720	GEAR	1			25T	0.45	0.99
120	67817-15730	GEAR	1			17T	0.3	0.66
130	66418-15740	GEAR	1			20T	0.4	0.88
140	67111-14450	COLLAR	1				0.01	0.022
150	04612-00250	CIRCLIP EXTERNAL	1				0.002	0.0044
160	08151-06305	BEARING BALL	1				0.233	0.5126

7TH SHAFT



66418-030-10

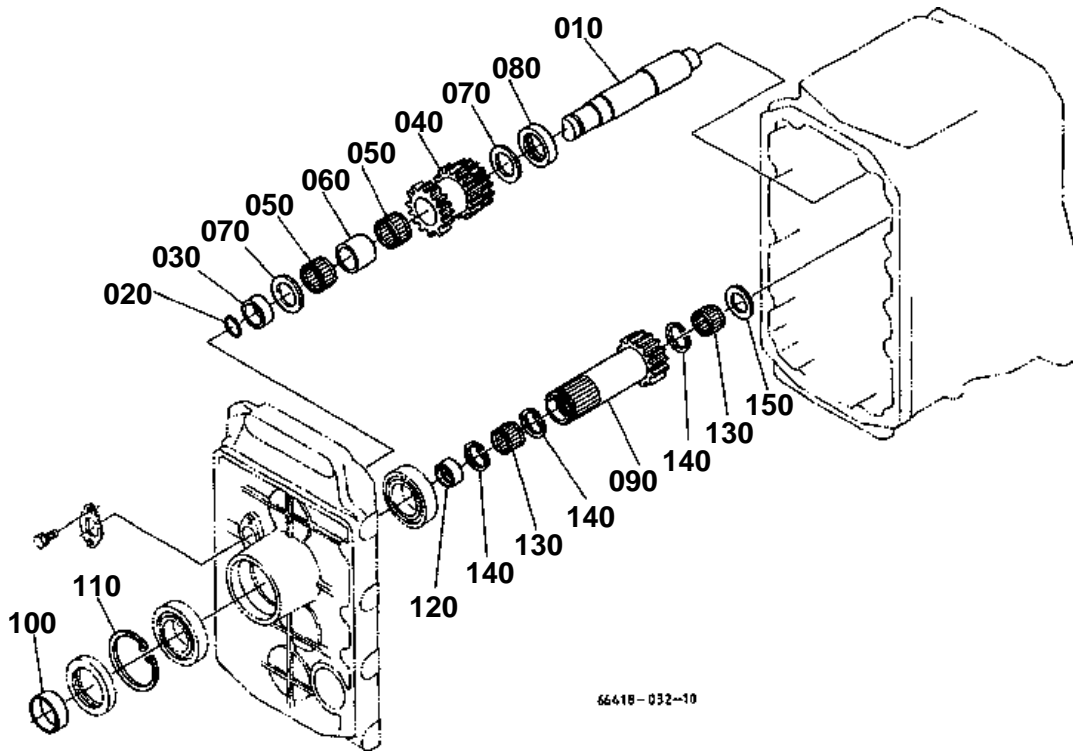


7TH SHAFT

↔ Interchangeable; ≠ not interchangeable; ← new for old; → old for new

REF.No	Part No.	Description	Q'ty	S.No.	I/C	REMARKS	Weight (kgf)	Weight (lb)
010	67817-15910	SHAFT SEVENTH FRONT	1				0.6	1.32
020	08101-06304	BEARING BALL	1				0.146	0.3212
030	04611-00520	CIR CLIP INTERNAL	1				0.009	0.0198
040	67817-15920	COLLAR	1				0.07	0.154
050	67817-15930	GEAR	1			25T	0.64	1.408
060	66418-15940	GEAR	1			21T	0.2	0.44
070	08101-06205	BEARING BALL	2				0.14	0.308
080	67817-15820	SHAFT SEVENTH MIDDLE	1				1.5	3.3
090	66301-15870	GEAR	1			27T	0.54	1.188
100	66301-15810	COLLAR	1				0.03	0.066
110	67121-56760	BEARING BALL	1	≤10227			0	0
110	67121-56770	BEARING BALL	1	≥10228	←		0.127	0.2794
120	67800-14460	BOSS SPLINE	1				0.095	0.209
130	67817-15950	COLLAR	1				0.09	0.198
140	04612-00250	CIRCLIP EXTERNAL	1				0.002	0.0044
150	67061-14380	COLLAR	1				0.01	0.022
160	67800-16420	SPRING CAM	1				0.04	0.088
170	67800-16430	CAM ONE WAY CLUTCH	2				0.26	0.572
180	67800-15922	SHAFT SEVENTH REAR	1				0.48	1.056
190	08101-06305	BEARING BALL	1				0.23	0.506
200	67111-15950	GEAR	1			15T	0.34	0.748
210	08101-06304	BEARING BALL	1				0.146	0.3212
220	67111-15960	SHIM	1			0.1MM	0.001	0.0022
220	67111-15970	SHIM	1			0.2MM	0.001	0.0022
230	67111-15980	SHIM	1			0.1MM	0.001	0.0022
230	67111-15990	SHIM	1			0.2MM	0.001	0.0022
230	67800-15950	SHIM	1			0.3MM	0.001	0.0022
230	67800-15960	SHIM	1			0.5MM	0.005	0.011

REVERSE SHAFT



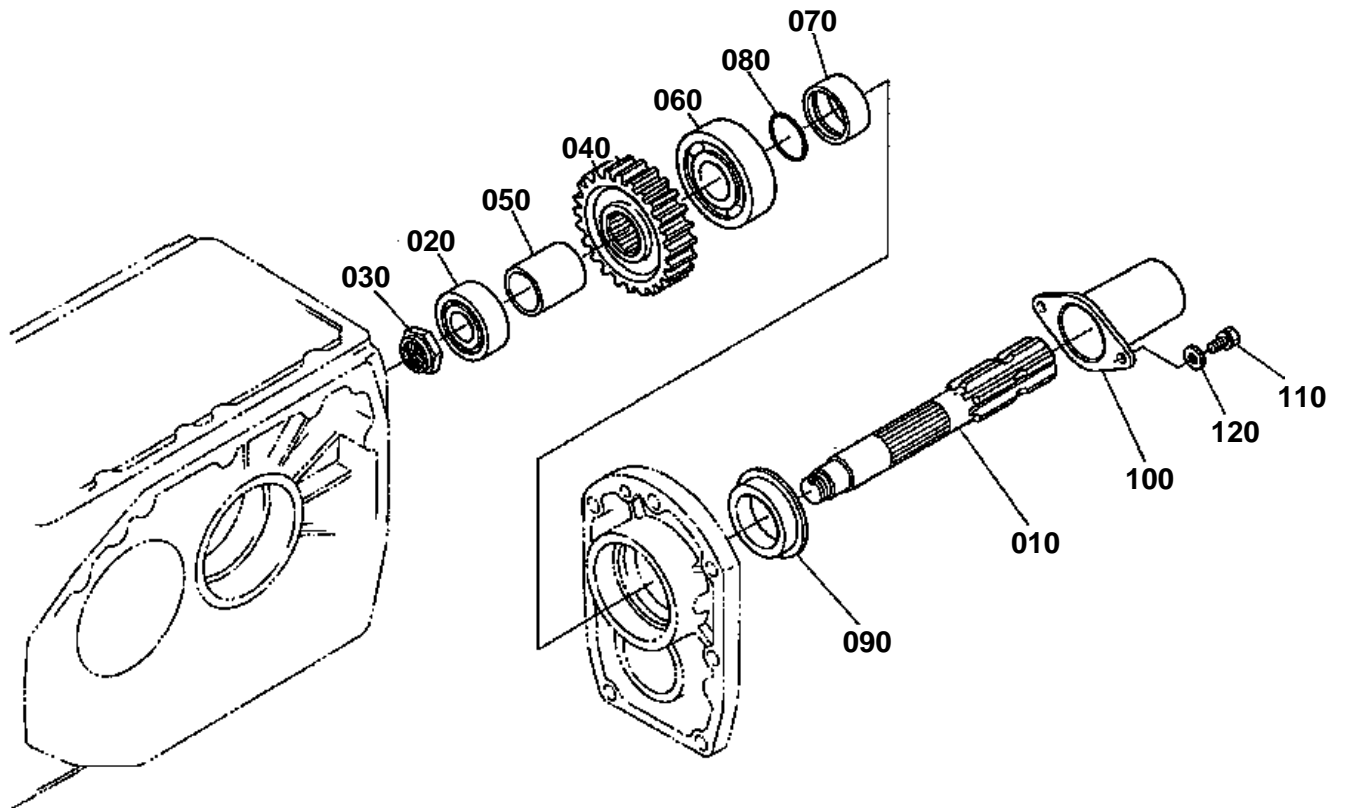


REVERSE SHAFT

↔ Interchangeable; ≠ not interchangeable; ← new for old; → old for new

REF.No	Part No.	Description	Q'ty	S.No.	I/C	REMARKS	Weight (kgf)	Weight (lb)
010	67800-15512	SHAFT REVERSE	1				0.62	1.364
020	04811-00160	O RING	1				0	0
030	67817-15520	COLLAR	1				0.04	0.088
040	67817-15530	GEAR	1			16-16T	0.43	0.946
050	08822-53017	BEARING NEEDLE	2				0.022	0.0484
060	67817-15540	COLLAR	1				0.02	0.044
070	67111-14450	COLLAR	2				0.01	0.022
080	67817-15550	SEAL OIL	1				0.015	0.033
090	67817-15610	SHAFT GEAR	1			15T	0.525	1.155
100	67817-15620	BUSH	1				0.03	0.066
110	04611-00620	CIR CLIP INTERNAL	1				0.011	0.0242
120	67817-15630	SEAL OIL	1				0.005	0.011
130	08822-02617	BEARING NEEDLE	2				0.02	0.044
140	67817-15640	CIR-CLIP	3				0.001	0.0022
150	67800-14890	COLLAR	1				0.005	0.011

PTO SHAFT



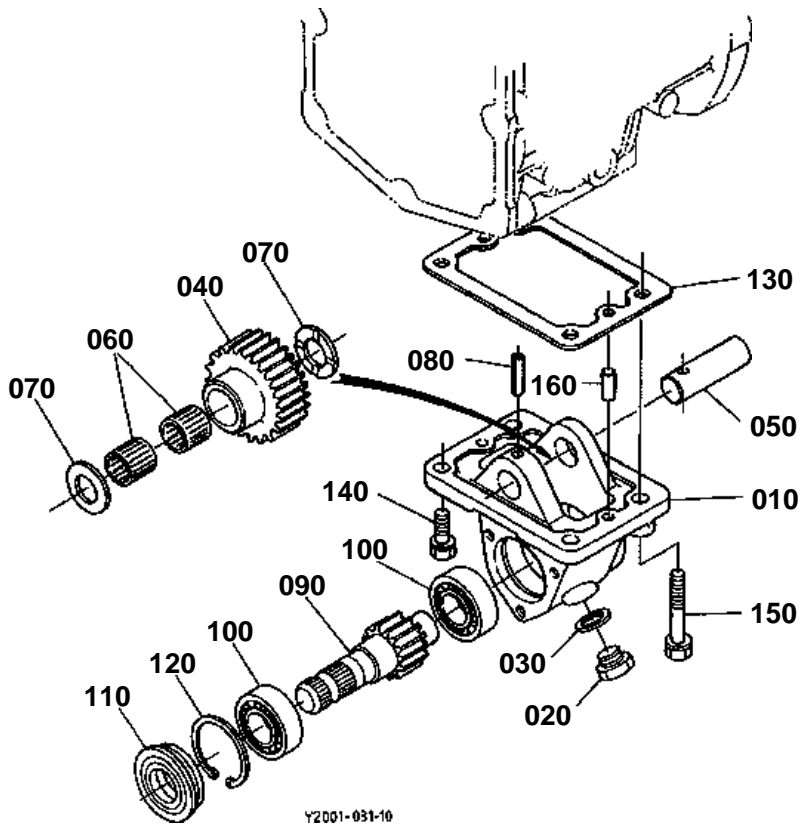
66318-031-10



PTO SHAFT

↔ Interchangeable; ≠ not interchangeable; ← new for old; → old for new

REF.No	Part No.	Description	Q'ty	S.No.	I/C	REMARKS	Weight (kgf)	Weight (lb)
010	67800-16510	SHAFT PTO	1				1	2.2
020	08101-06205	BEARING BALL	1				0.14	0.308
030	67111-16520	NUT	1				0.035	0.077
040	67111-16530	GEAR	1			28T	0.72	1.584
050	67111-16540	COLLAR	1				0.01	0.022
060	08101-06306	BEARING BALL	1				0.335	0.737
070	67111-16560	COLLAR	1				0.06	0.132
080	04811-00300	O RING	1				0	0
090	67111-16570	SEAL OIL	1				0.04	0.088
100	67111-61510	COVER PTO	1				0.035	0.077
110	01202-50612	BOLT	2				0.005	0.011
120	04013-60060	WASHER PLAIN	2				0.001	0.0022

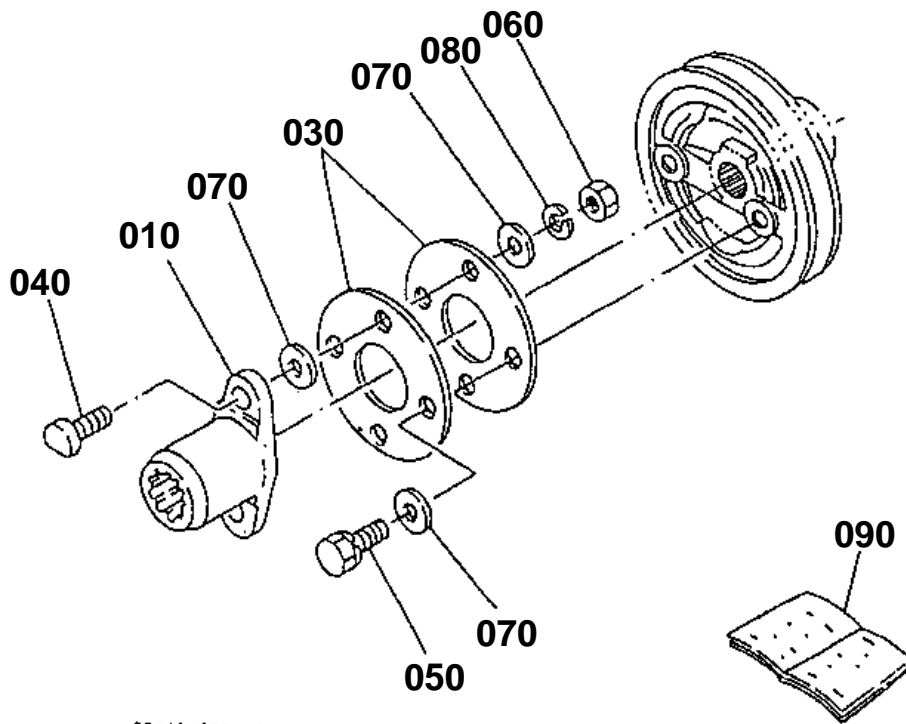


Y2001-031-10

**MID PTO**

↔ Interchangeable; ≠ not interchangeable; ← new for old; → old for new

REF.No	Part No.	Description	Q'ty	S.No.	I/C	REMARKS	Weight (kgf)	Weight (lb)
010	67061-21215	CASE DRIVE MID PTO	1				0.78	1.716
020	06331-35016	PLUG	1				0.04	0.088
030	04717-01600	WASHER WITH RUBBER	1				0.003	0.0066
040	66301-15883	GEAR	1			27T	0.5	1.1
050	67061-21232	SHAFT IDLE	1				0.2	0.44
060	67061-21270	BEARING NEEDLE	2				0.03	0.066
070	96380-25140	COLLAR SHAFT	2				0.014	0.0308
080	05411-00618	PIN SPRING	1				0.003	0.0066
090	66418-15890	GEAR-SHAFT M-PTO	1			16T	0.67	1.474
100	08101-06205	BEARING BALL	2				0.14	0.308
110	32430-25540	SEAL OIL MID PTO	1				0.04	0.088
120	04611-00520	CIR CLIP INTERNAL	1				0.009	0.0198
130	66203-21220	GASKET	1				0.005	0.011
140	01123-51028	BOLT	2				0.025	0.055
150	01123-51040	BOLT	2				0.03	0.066
160	05012-00818	PIN STRAIGHT	2				0.013	0.0286



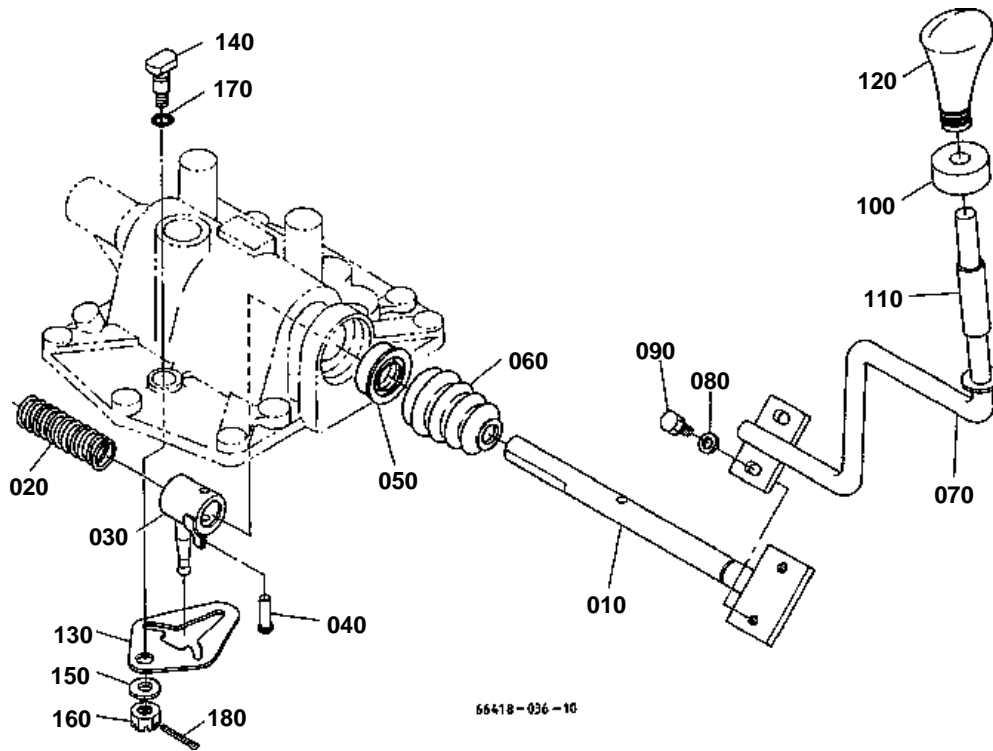
66418-035-10

**FRONT PTO [OPTION]**

↔ Interchangeable; ≠ not interchangeable; ← new for old; → old for new

REF.No	Part No.	Description	Q'ty	S.No.	I/C	REMARKS	Weight (kgf)	Weight (lb)
010	76521-31550	SHAFT COUPLING	1				0.35	0.77
030	76521-31510	PLATE COUPLING	2				0.02	0.044
040	76521-31570	BOLT	2				0.02	0.044
050	01133-51022	BOLT	2				0.025	0.055
060	02118-50100	NUT	2				0.005	0.011
070	04013-50100	WASHER PLAIN	6				0	0
080	04512-60100	WASHER SPRING	2				0.002	0.0044
090	67401-88512	MANUAL INSTRUCTION	1				0.006	0.0132

MAIN GEAR SHAFT LEVER



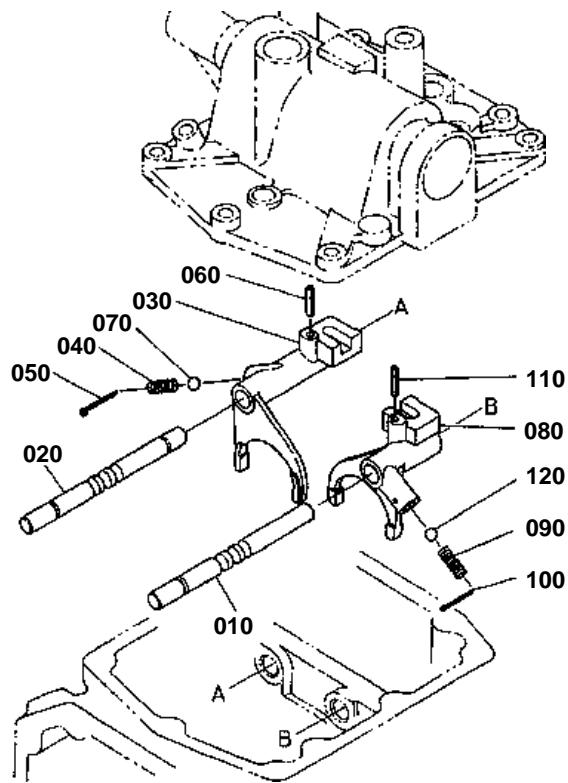


MAIN GEAR SHAFT LEVER

↔ Interchangeable; ≠ not interchangeable; ← new for old; → old for new

REF.No	Part No.	Description	Q'ty	S.No.	I/C	REMARKS	Weight (kgf)	Weight (lb)
010	67817-18210	SHAFT SHIFT	1				0.6	1.32
020	67156-18220	SPRING	1				0.011	0.0242
030	67156-18253	ARM SHIFT	1				0.125	0.275
040	67156-18280	PIN JOINT	1				0.001	0.0022
050	67817-18220	SEAL OIL	1				0.02	0.044
060	67817-18230	BOOT	1				0.017	0.0374
070	67817-18170	LEVER MAIN SHIFT	1				0.6	1.32
080	04012-50080	WASHER PLAIN	2				0.001	0.0022
090	01123-50820	BOLT	2				0.011	0.0242
100	67817-18180	CUSHION	1				0.03	0.066
110	31391-24510	PIPE LEVER	1				0.005	0.011
120	67156-18330	GRIP	1				0.08	0.176
130	67176-18360	INTERLOCKER	1				0.1	0.22
140	66591-18450	BOLT INTERLOCKER SET	1				0.024	0.0528
150	04011-50100	WASHER PLAIN	1				0.002	0.0044
160	02372-50100	NUT	1				0.005	0.011
170	04811-10100	O RING	1				0.001	0.0022
180	05511-50218	PIN SPLIT	1				0.001	0.0022

MAIN GEAR SHAFT FORK



66418-037-10

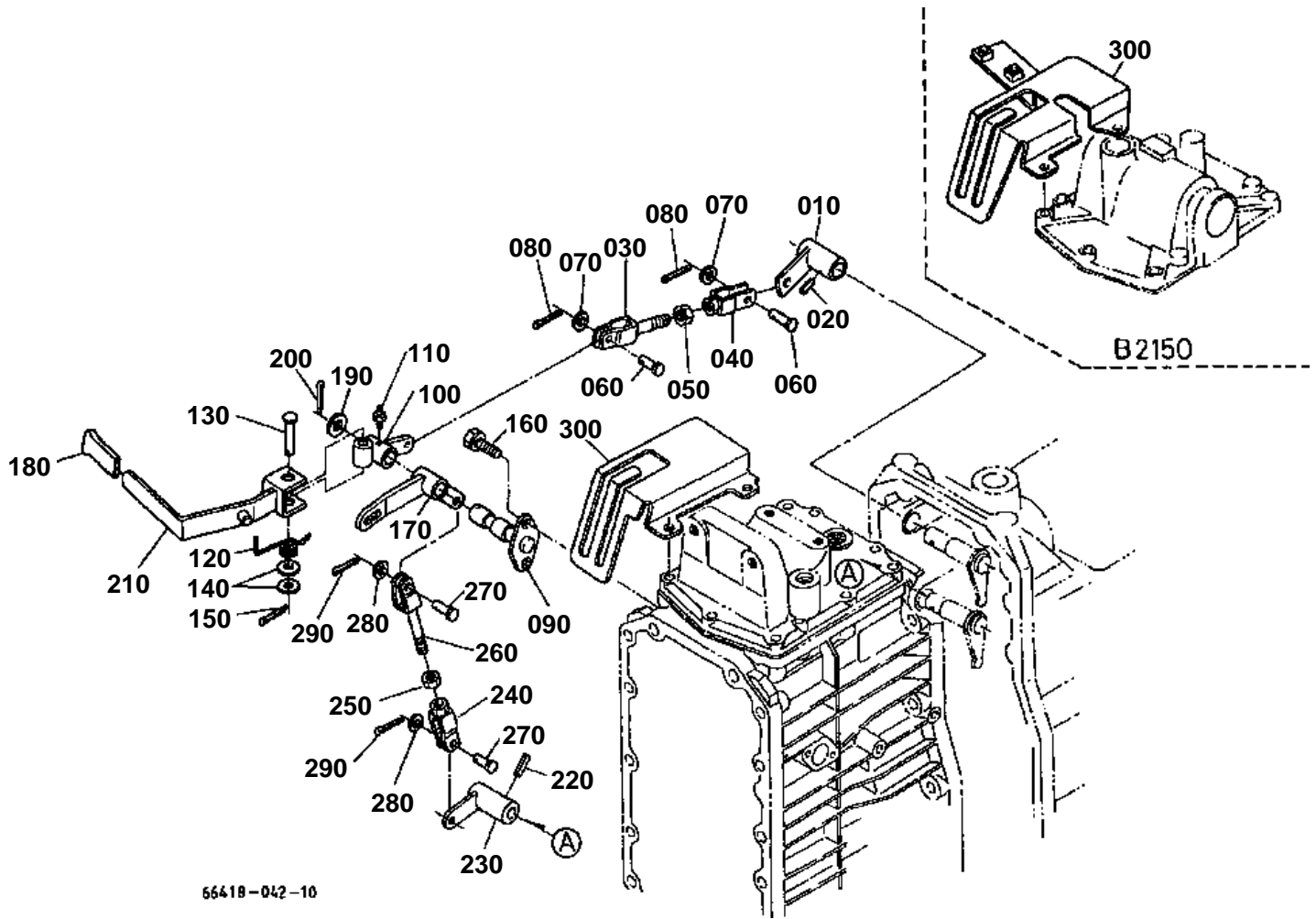


MAIN GEAR SHAFT FORK

↔ Interchangeable; ≠ not interchangeable; ← new for old; → old for new

REF.No	Part No.	Description	Q'ty	S.No.	I/C	REMARKS	Weight (kgf)	Weight (lb)
010	67176-18110	SHAFT FORK	1				0.18	0.396
020	67817-18110	SHAFT FORK	1				0.17	0.374
030	67176-18130	FORK BACK SHIFT	1				0.4	0.88
040	67156-18150	SPRING SHIFT FORK	1				0.003	0.0066
050	05511-50322	PIN SPLIT	1				0.002	0.0044
060	05411-00520	PIN SPRING	1				0.002	0.0044
070	07715-00803	BALL	1				0.004	0.0088
080	67176-18160	FORK MAIN SHIFT	1				0.15	0.33
090	67156-18150	SPRING SHIFT FORK	1	<=10227			0.003	0.0066
090	36602-29230	SPRING STOPPER	1	>=10228	←		0.003	0.0066
100	05511-50322	PIN SPLIT	1				0.002	0.0044
110	05411-00520	PIN SPRING	1				0.002	0.0044
120	07715-00803	BALL	1				0.004	0.0088

RANGE GEAR SHIFT LEVER



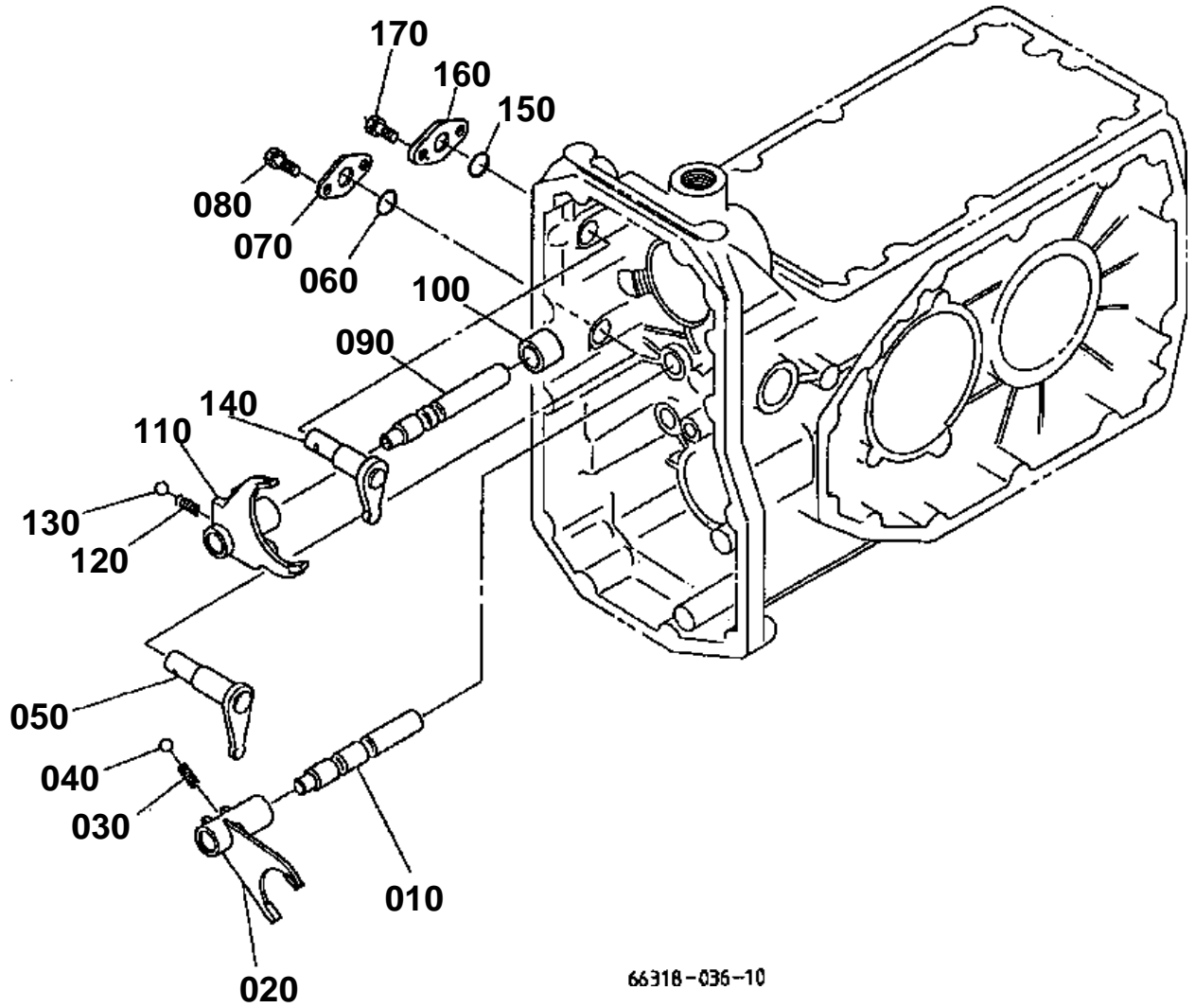
66418-042-10

**RANGE GEAR SHIFT LEVER**

↔ Interchangeable; ≠ not interchangeable; ← new for old; → old for new

REF.No	Part No.	Description	Q'ty	S.No.	I/C	REMARKS	Weight (kgf)	Weight (lb)
010	67800-42310	BOSS LEVER	1				0.073	0.1606
020	05411-00632	PIN SPRING	1				0.004	0.0088
030	67800-42380	ROD RANGE SHIFT	1				0.05	0.11
040	67800-42390	JOINT	1				0.025	0.055
050	02112-50080	NUT	1				0.003	0.0066
060	05122-50614	PIN JOINT	2				0.004	0.0088
070	04013-60060	WASHER PLAIN	2				0.001	0.0022
080	05511-51612	PIN SPLIT	2				0.001	0.0022
090	67800-42340	FULCRUM LEVER	1				0.115	0.253
100	67800-42350	BOSS LEVER	1				0.11	0.242
110	67211-42940	NIPPLE GREASE	1				0.001	0.0022
120	67800-42363	SPRING	1				0.01	0.022
130	05122-51050	PIN JOINT	1				0.032	0.0704
140	04011-50100	WASHER PLAIN	2				0.002	0.0044
150	05511-50320	PIN SPLIT	1				0.002	0.0044
160	01123-50820	BOLT	2				0.011	0.0242
170	67800-42370	LAVER RANGE SHIFT	1				0.13	0.286
180	67800-42110	GRIP LEVER	1				0.02	0.044
190	04011-50140	WASHER PLAIN	1				0.007	0.0154
200	05511-50425	PIN SPLIT	1				0.003	0.0066
210	66361-42450	LAVER RANGE SHIFT	1	≤10128			0	0
210	66361-42453	LAVER RANGE SHIFT	1	≥10129	←		0.215	0.473
220	05411-00632	PIN SPRING	1				0.004	0.0088
230	67800-42460	BOSS LEVER	1				0.098	0.2156
240	67800-42390	JOINT	1				0.025	0.055
250	02112-50080	NUT	1				0.003	0.0066
260	67800-42470	ROD RANGE SHIFT	1				0.04	0.088
270	05122-50614	PIN JOINT	2				0.004	0.0088
280	04013-60060	WASHER PLAIN	2				0.001	0.0022
290	05511-51612	PIN SPLIT	2				0.001	0.0022
300	67817-42490	GUIDE GEAR SHIFT	1				0.5	1.1

RANGE GEAR SHIFT FORK



66318-036-10

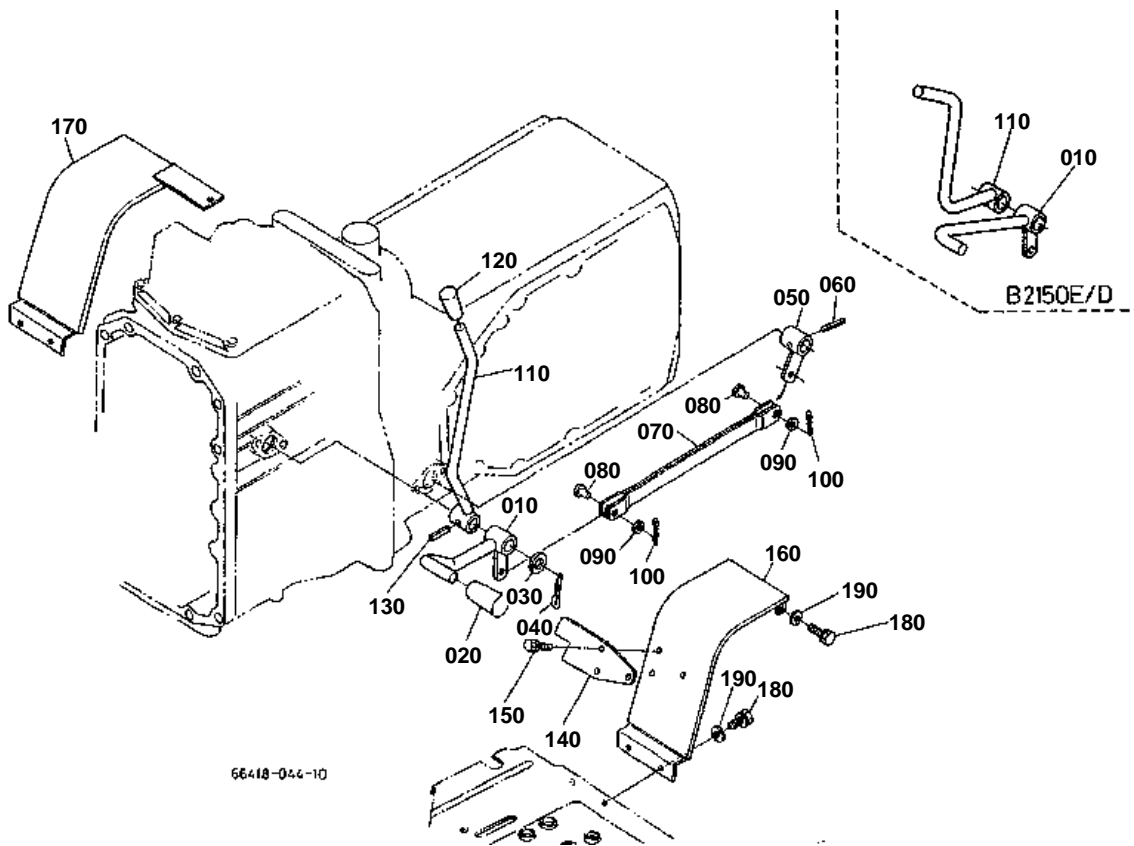


RANGE GEAR SHIFT FORK

↔ Interchangeable; ≠ not interchangeable; ← new for old; → old for new

REF.No	Part No.	Description	Q'ty	S.No.	I/C	REMARKS	Weight (kgf)	Weight (lb)
010	67111-18310	SHAFT RANGE FORK	1				0.125	0.275
020	67111-18320	FORK RANGE SHIFT	1				0.195	0.429
030	62231-18530	SPRING	1				0.01	0.022
040	07715-01605	BALL	1				0.003	0.0066
050	67111-18330	ARM RANGE SHIFT	1				0.115	0.253
060	04811-00160	O RING	1				0	0
070	66591-18180	RETAINER FORK ROD	1				0.012	0.0264
080	01202-50616	BOLT	2				0.006	0.0132
090	67111-18360	SHAFT FORK	1				0.12	0.264
100	67800-18390	COLLAR	1				0.03	0.066
110	67111-18370	FORK SHIFT	1				0.235	0.517
120	62231-18530	SPRING	1				0.01	0.022
130	07715-01605	BALL	1				0.003	0.0066
140	67111-18380	ARM LOW SPEED	1				0.11	0.242
150	04811-00160	O RING	1				0	0
160	67800-18180	RETAINER FORK ROD	1				0.045	0.099
170	01202-50616	BOLT	2				0.006	0.0132

FRONT WHEEL DRIVE LEVER/PTO LEVER

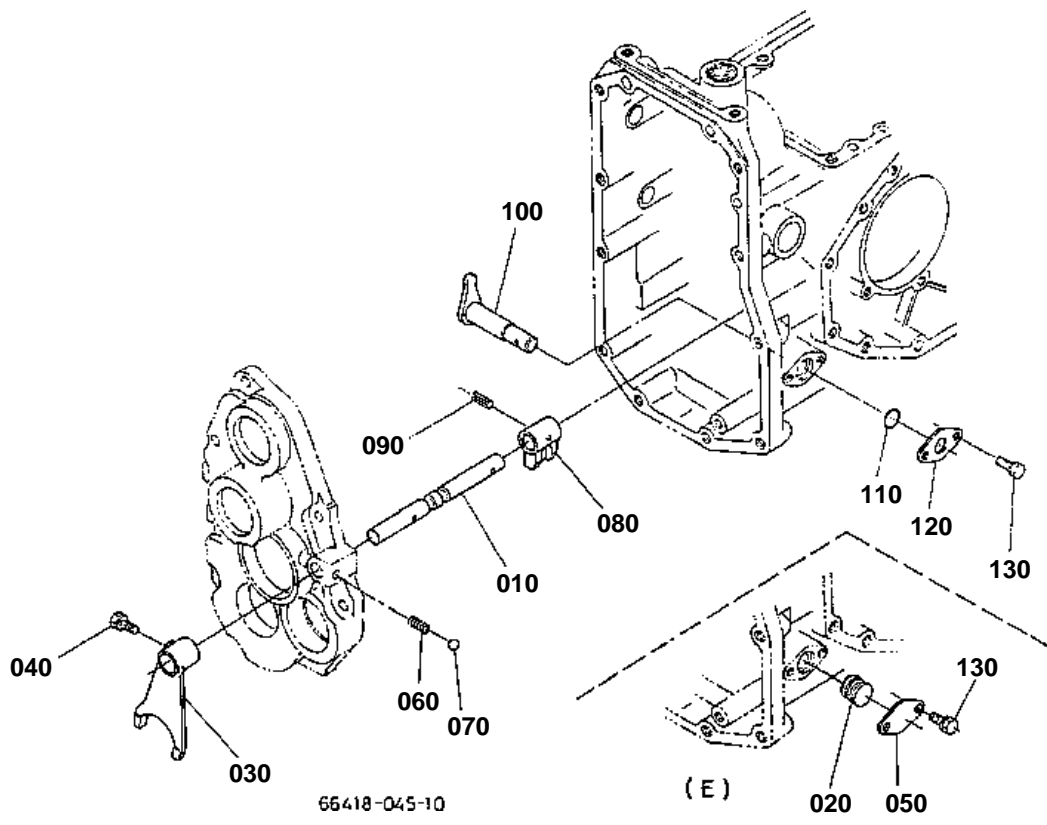


**FRONT WHEEL DRIVE LEVER/PTO LEVER**

↔ Interchangeable; ≠ not interchangeable; ← new for old; → old for new

REF.No	Part No.	Description	Q'ty	S.No.	I/C	REMARKS	Weight (kgf)	Weight (lb)
110	67817-42740	LEVER PTO SHIFT	1				0.3	0.66
120	54201-23270	GRIP	1				0.02	0.044
130	05411-00632	PIN SPRING	1				0.004	0.0088
140	67800-42752	GUIDE PTO SHIFT	1				0.12	0.264
150	01123-50818	BOLT	3				0.012	0.0264
160	66418-52320	COVER S-CHANGE LH	1				0.02	0.044
170	66418-52330	COVER S-CHANGE RH	1	<=10227			0	0
170	66418-52336	COVER S-CHANGE RH	1	>=10228	←		0.95	2.09
180	01123-50820	BOLT	6				0.011	0.0242
190	04013-50080	WASHER PLAIN	8				0	0

FRONT DRIVE FORK



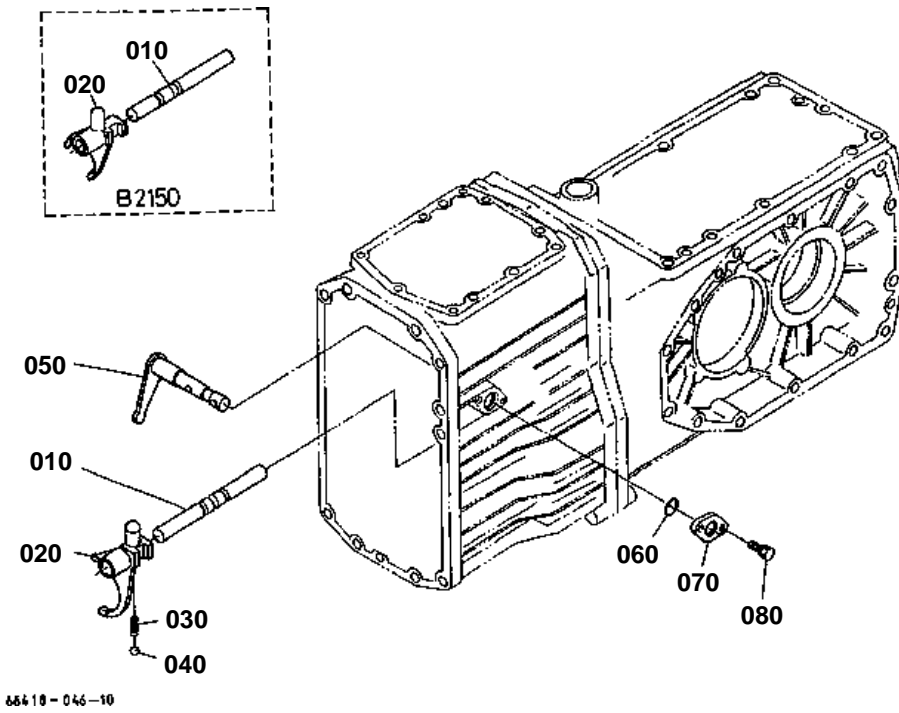


FRONT DRIVE FORK

↔ Interchangeable; ≠ not interchangeable; ← new for old; → old for new

REF.No	Part No.	Description	Q'ty	S.No.	I/C	REMARKS	Weight (kgf)	Weight (lb)
020	66581-18120	PLUG	1				0.004	0.0088
050	66581-18130	RETAINER	1				0.016	0.0352
130	01202-50616	BOLT	2				0.006	0.0132

PTO FORK SHAFT



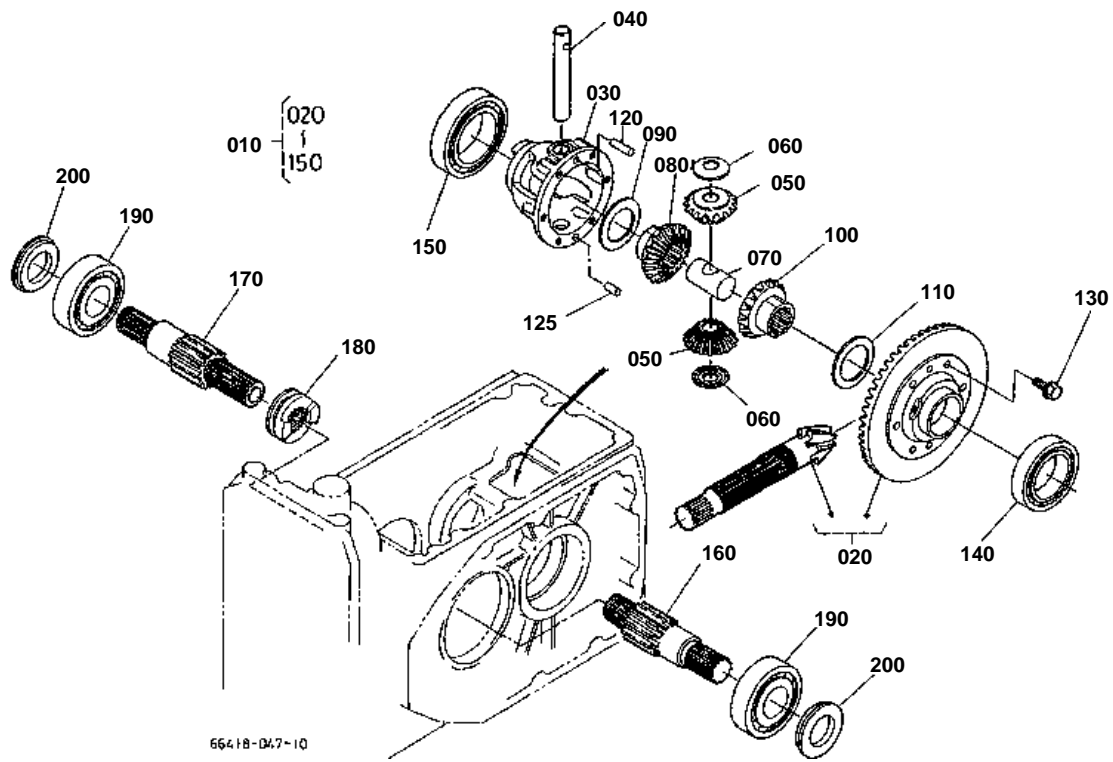


PTO FORK SHAFT

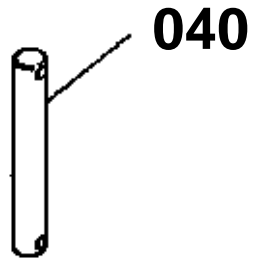
↔ Interchangeable; ≠ not interchangeable; ← new for old; → old for new

REF.No	Part No.	Description	Q'ty	S.No.	I/C	REMARKS	Weight (kgf)	Weight (lb)
010	67817-18610	SHAFT PTO FORK	1				0.17	0.374
020	67817-18620	FORK PTO SHIFT	1				0.18	0.396
030	62231-18530	SPRING	1				0.01	0.022
040	07715-01605	BALL	1				0.003	0.0066
050	67800-18670	ARM PTO SHIFT	1				0.13	0.286
060	04811-00160	O RING	1				0	0
070	67800-18180	RETAINER FORK ROD	1				0.045	0.099
080	01202-50616	BOLT	2				0.006	0.0132

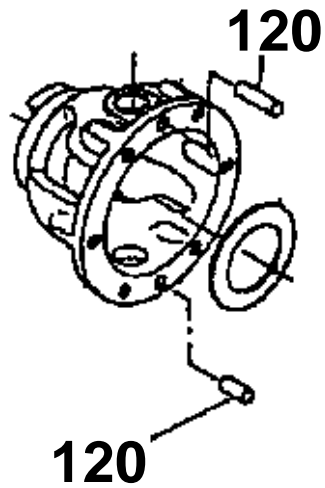
REAR DIFFERENTIAL



040 66021-1492-0



120 67111-1678-2



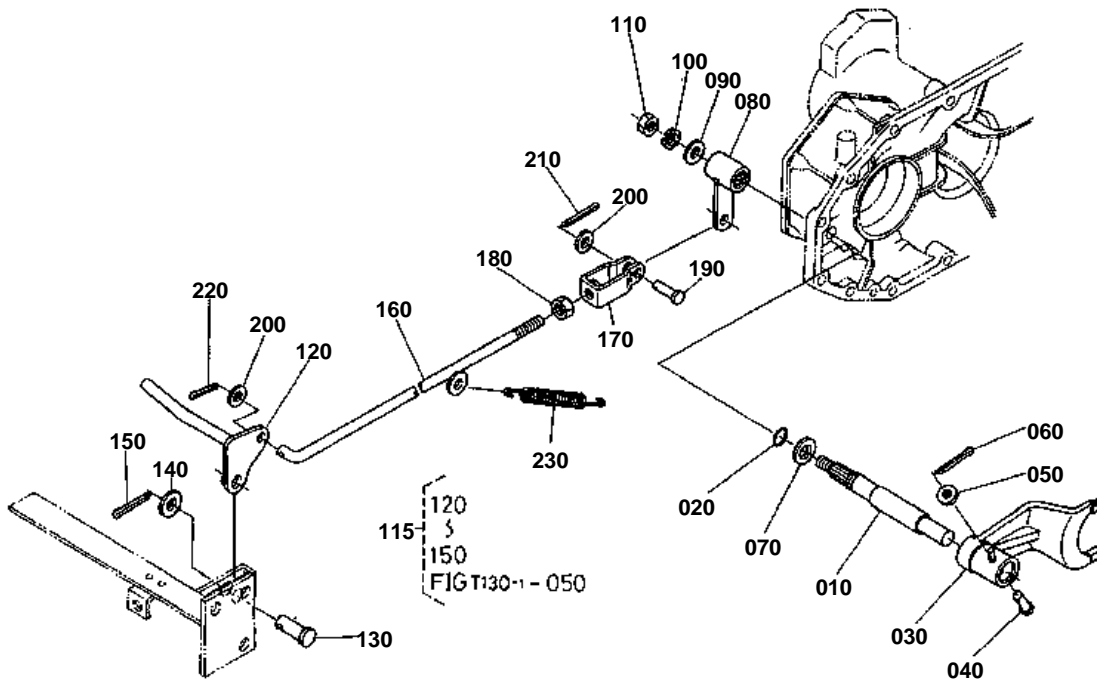
66418-804-10

**REAR DIFFERENTIAL**

↔ Interchangeable; ≠ not interchangeable; ← new for old; → old for new

REF.No	Part No.	Description	Q'ty	S.No.	I/C	REMARKS	Weight (kgf)	Weight (lb)
010	66361-99210	ASSY DIFF REAR	1				6	13.2
020	66361-99110	ASSY GEAR BEVEL REAR	1			6-37T	2.7	5.94
030	67111-16640	CASE DIFFERENTIAL	1				0.8	1.76
040	66021-14920	SHAFT DIFF.PINION	1	≤10227			0.16	0.352
040	66021-14922	SHAFT DIFF.PINION	1	≥10228	≠		0.163	0.3586
050	66021-14930	PINION DIFF.	2			12T	0.17	0.374
060	67111-16670	COLLAR PINION THRUST	2				0.008	0.0176
070	67111-16680	COLLAR THRUST	1				0.13	0.286
080	67111-16720	GEAR DIFF.SIDE	1			15T	0.225	0.495
090	67111-16740	SHIM	1			1.2MM	0.014	0.0308
090	67111-16750	SHIM	1			1.0MM	0.011	0.0242
090	67111-16760	SHIM	1			0.8MM	0.01	0.022
100	66021-14940	GEAR DIFF.SIDE	1				0.28	0.616
110	66021-14950	SHIM	1			1.2MM	0.01	0.022
110	66021-14960	SHIM	1			1.0MM	0.01	0.022
110	66021-14970	SHIM	1			0.8MM	0.01	0.022
120	67111-16782	PIN STRAIGHT	2	≤10227			0.01	0.022
120	67111-16782	PIN STRAIGHT	1	≥10228			0.01	0.022
125	05012-00816	PIN STRAIGHT	1	≥10228			0.007	0.0154
130	67810-56680	BOLT UBS	6				0.013	0.0286
140	08101-06010	BEARING BALL	1				0.262	0.5764
150	08101-06012	BEARING BALL	1				0.41	0.902
160	67111-16912	SHAFT DIFF.GEAR LH	1				1.2	2.64
170	67111-16922	SHAFT DIFF.GEAR RH	1				1.3	2.86
180	67111-16930	CLUTCH DIFF.LOCK	1				0.21	0.462
190	08101-06307	BEARING BALL	2				0.455	1.001
200	67111-16940	SEAL OIL	2				0.025	0.055

DIFF.LOCK PEDAL



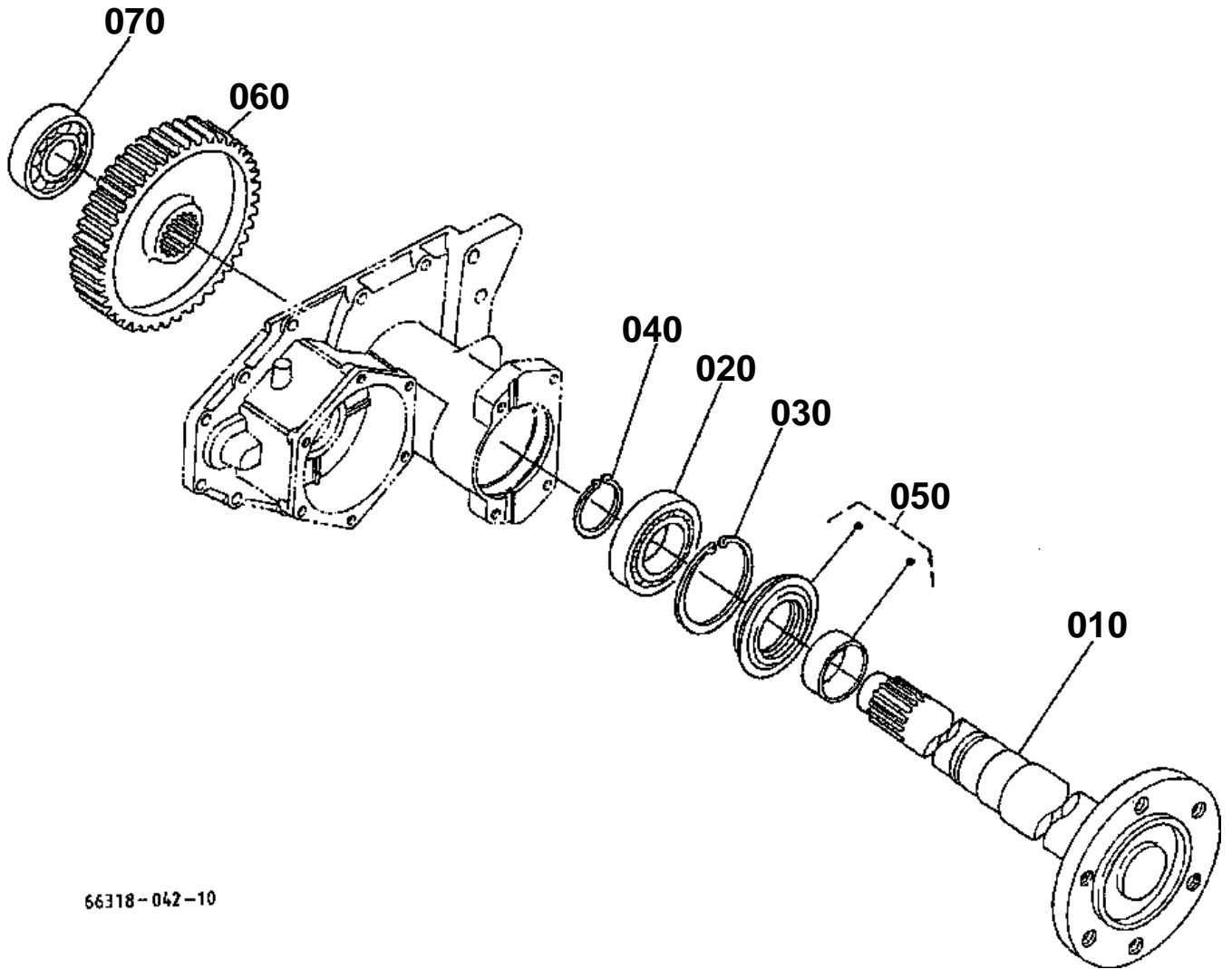
66418-046-10

**DIFF.LOCK PEDAL**

↔ Interchangeable; ≠ not interchangeable; ← new for old; → old for new

REF.No	Part No.	Description	Q'ty	S.No.	I/C	REMARKS	Weight (kgf)	Weight (lb)
010	67111-19110	SHAFT DIFF.LOCK FORK	1				0.165	0.363
020	04811-06100	O RING	1				0	0
030	67111-19130	FORK DIFF.LOCK SHIFT	1				0.38	0.836
040	67111-19140	PIN JOINT	1				0.01	0.022
050	04013-60060	WASHER PLAIN	1				0.001	0.0022
060	05511-51610	PIN SPLIT	1				0.001	0.0022
070	67111-19160	COLLAR	1				0.005	0.011
080	67111-42810	LEVER DIFF.LOCK	1				0.07	0.154
090	04013-50080	WASHER PLAIN	1				0	0
100	04512-60080	WASHER SPRING	1				0.002	0.0044
110	02114-50080	NUT	1				0.005	0.011
115	67800-44600	ASSY PEDAL DIFF.LOCK	1				0.94	2.068
120	67800-44610	PEDAL DIFF.LOCK	1				0.29	0.638
130	05122-51425	PIN JOINT	1				0.03	0.066
140	04011-50140	WASHER PLAIN	1				0.007	0.0154
150	05511-50420	PIN SPLIT	1				0.002	0.0044
160	67800-44650	ROD DIFF.LOCK	1				0.12	0.264
170	63753-42350	U JOINT	1				0.038	0.0836
180	02112-50080	NUT	1				0.003	0.0066
190	05122-50820	PIN JOINT	1				0.009	0.0198
200	04012-50080	WASHER PLAIN	2				0.001	0.0022
210	05511-50315	PIN SPLIT	1				0.002	0.0044
220	05511-50215	PIN SPLIT	1				0.001	0.0022
230	67111-44670	SPRING	1				0.04	0.088

REAR AXLE



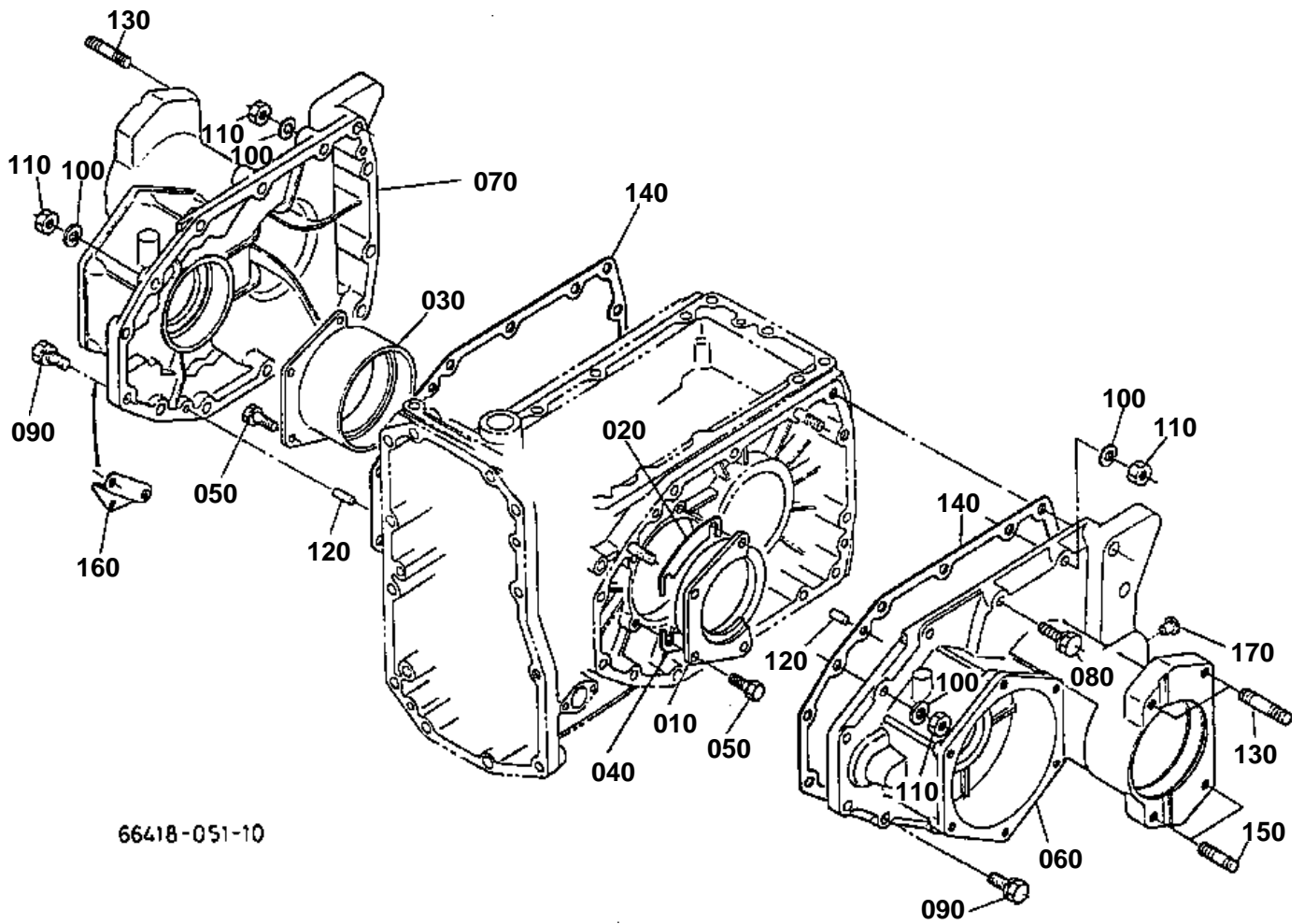
66318-042-10

**REAR AXLE**

↔ Interchangeable; ≠ not interchangeable; ← new for old; → old for new

REF.No	Part No.	Description	Q'ty	S.No.	I/C	REMARKS	Weight (kgf)	Weight (lb)
010	67111-17110	AXLE REAR	2				9.2	20.24
020	08101-06210	BEARING BALL	2				0.45	0.99
030	04611-00900	CIR CLIP INTERNAL	2				0.037	0.0814
040	04612-00500	CIRCLIP EXTERNAL	2				0.009	0.0198
050	67111-17130	ASSY SEAL OIL	2				0.166	0.3652
060	67111-17142	GEAR	2			60T	3.3	7.26
070	08101-06307	BEARING BALL	2				0.455	1.001

REAR AXLE CASE



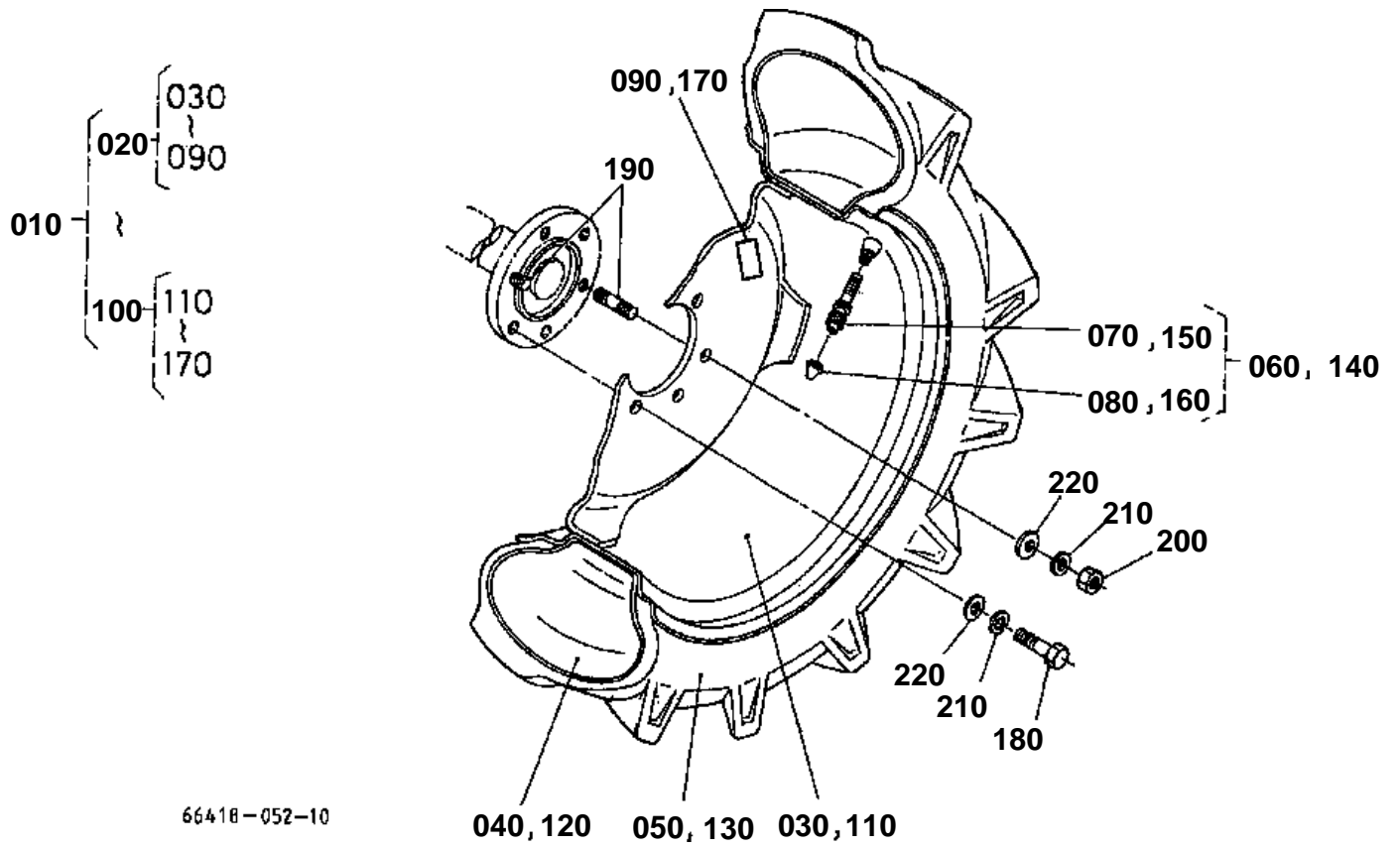
66418-051-10



REAR AXLE CASE

↔ Interchangeable; ≠ not interchangeable; ← new for old; → old for new

REF.No	Part No.	Description	Q'ty	S.No.	I/C	REMARKS	Weight (kgf)	Weight (lb)
010	67111-12612	HOLDER DIFF.BRG.LH	1				0.6	1.32
020	67111-12640	SHIM	2			0.8MM	0.01	0.022
020	67111-12660	SHIM	2			0.2MM	0.001	0.0022
030	67111-12623	HOLDER DIFF.BRG.RH	1				1	2.2
040	67111-12670	SHIM	2			0.8MM	0.01	0.022
040	67111-12690	SHIM	2			0.2MM	0.002	0.0044
050	01123-50825	BOLT	8				0.013	0.0286
060	67800-12710	CASE AXLE LH	1				16	35.2
070	67800-12720	CASE AXLE RH	1				16	35.2
080	01123-51045	BOLT	6				0.032	0.0704
090	01123-51035	BOLT	10				0.025	0.055
100	04512-60100	WASHER SPRING	4				0.002	0.0044
110	02118-50100	NUT	4				0.005	0.011
120	05012-00818	PIN STRAIGHT	4				0.013	0.0286
130	66418-12710	STUD	4				0.02	0.044
140	66385-12750	GASKET	2				0	0
150	66418-12720	STUD	4				0.04	0.088
160	67111-12780	PLATE SPRING HOOK	1				0.075	0.165
170	67211-11140	PLUG	10				0.001	0.0022

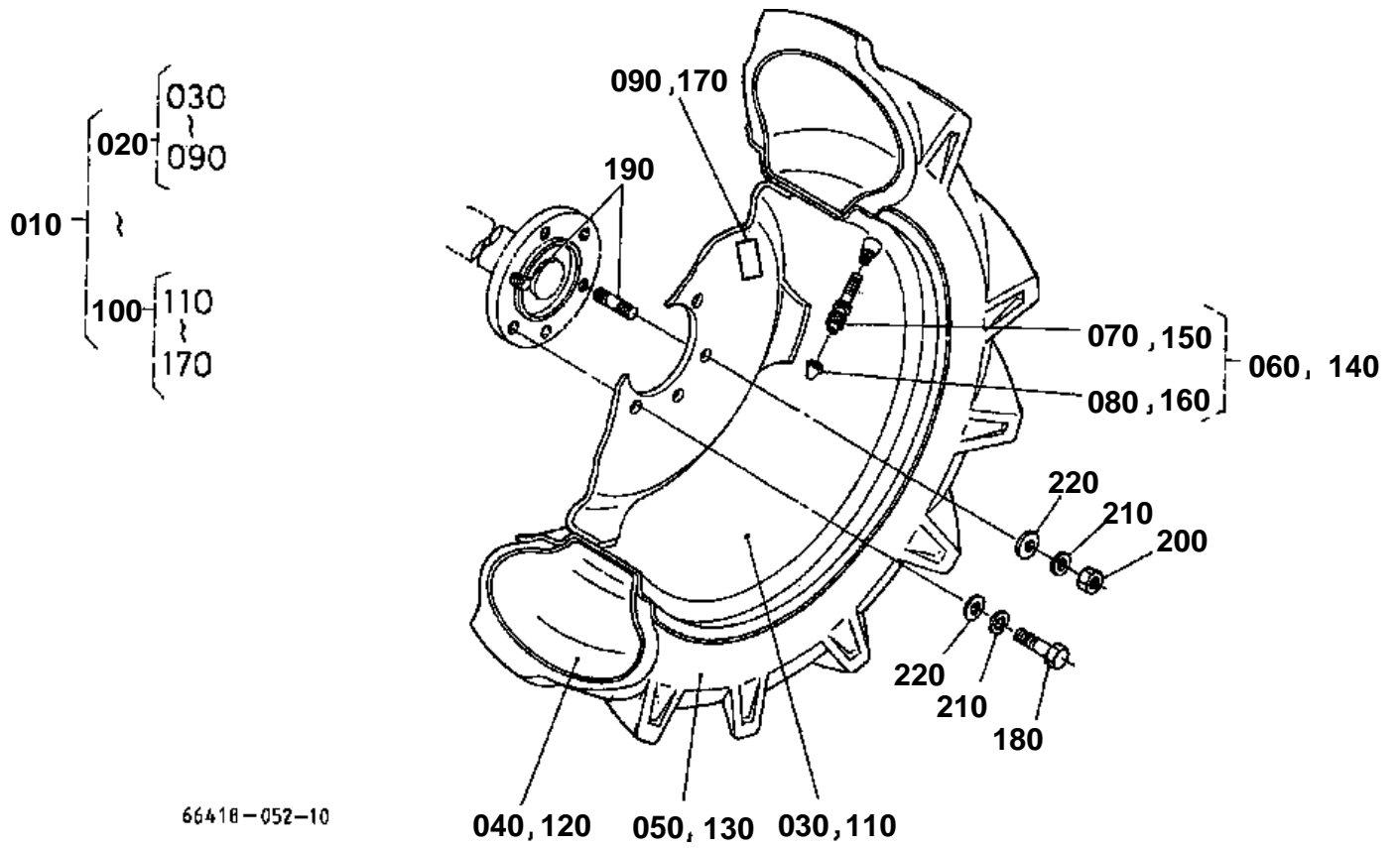


66418-052-10

**REAR WHEEL (8.3-24)**

↔ Interchangeable; ≠ not interchangeable; ← new for old; → old for new

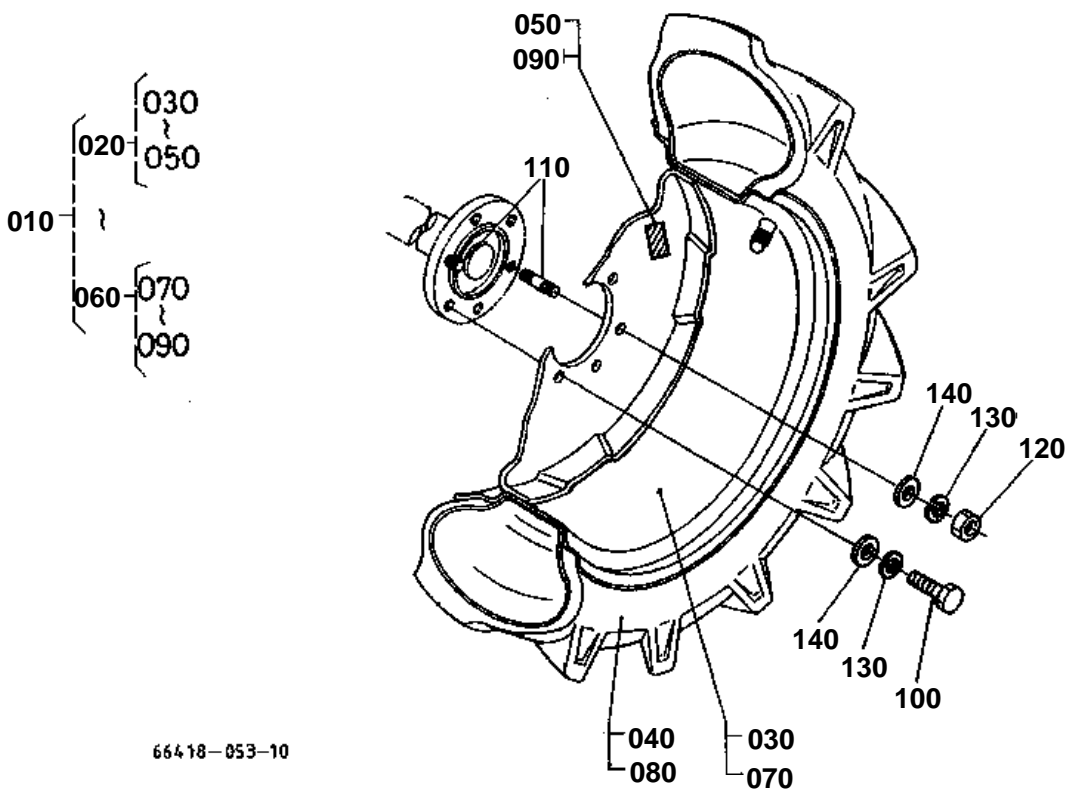
REF.No	Part No.	Description	Q'ty	S.No.	I/C	REMARKS	Weight (kgf)	Weight (lb)
010	66418-50020	ASSY REAR WHEEL	1				80	176
020	66418-50130	ASSY REAR WHEEL	1				40.5	89.1
030	66418-50160	WHEEL	1				21	46.2
040	32200-27630	TUBE	1				1.9	4.18
050	67800-50130	TIRE	1				18	39.6
060	32150-27700	ASSY VALVE	1				0.001	0.0022
070	32150-27740	CORE VALVE	1				0.003	0.0066
080	38240-11690	CAP VALVE	1				0.001	0.0022
090	66418-50140	LABEL TIRE LH	1				0.002	0.0044
100	66418-50230	ASSY REAR WHEEL RH	1				40.5	89.1
110	66418-50160	WHEEL	1				21	46.2
120	32200-27630	TUBE	1				1.9	4.18
130	67800-50130	TIRE	1				18	39.6
140	32150-27700	ASSY VALVE	1				0.001	0.0022
150	32150-27740	CORE VALVE	1				0.003	0.0066
160	38240-11690	CAP VALVE	1				0.001	0.0022
170	66418-50150	LABEL TIRE RH	1				0.001	0.0022
180	01073-51635	BOLT	8				0.086	0.1892
190	01517-51632	STUD	4				0.076	0.1672
200	02076-50160	NUT	4				0.03	0.066
210	04512-60160	WASHER SPRING	12				0.01	0.022
220	04011-60160	WASHER PLAIN	12				0.01	0.022



**REAR WHEEL (12.4-16)**

↔ Interchangeable; ≠ not interchangeable; ← new for old; → old for new

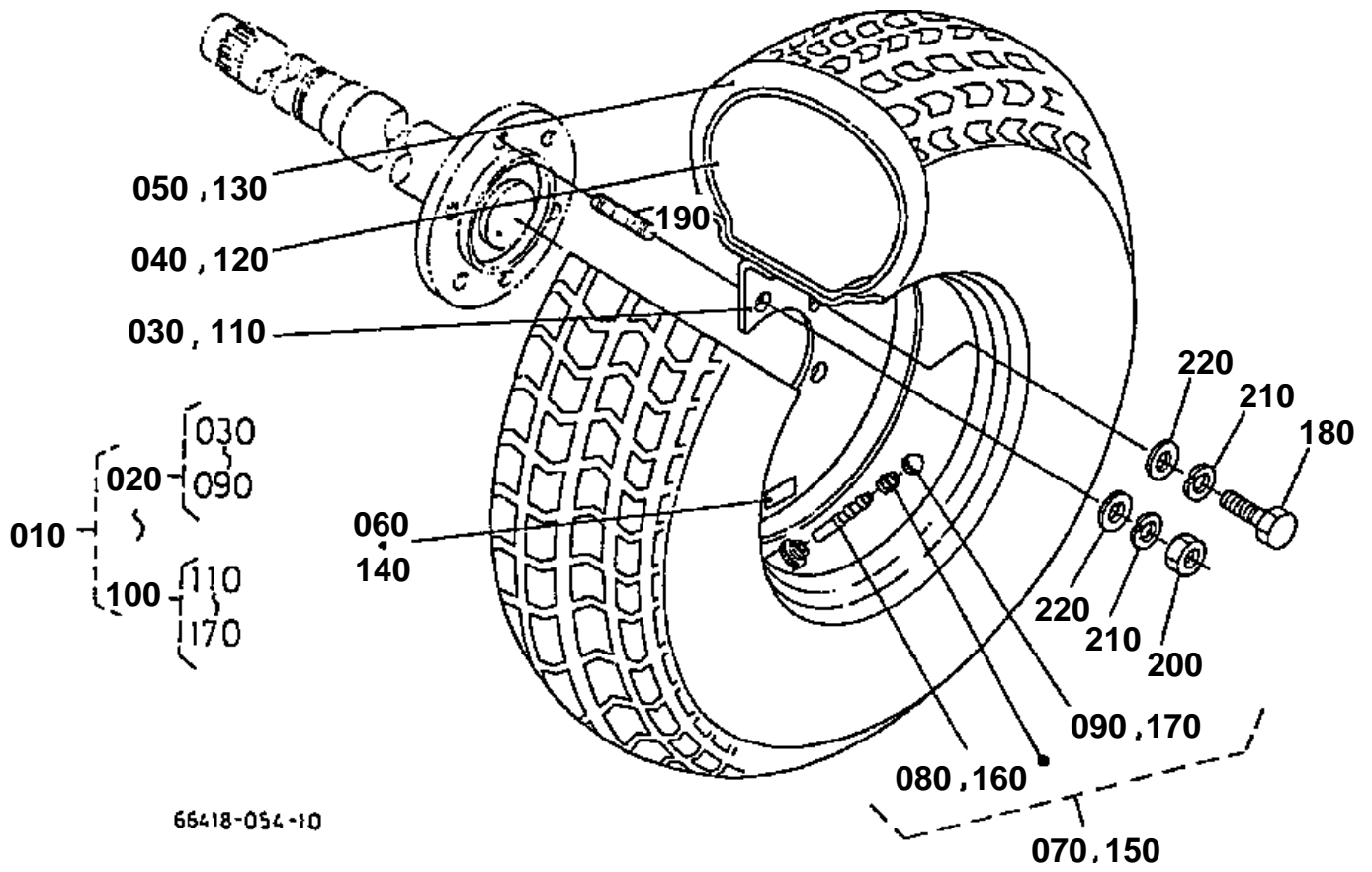
REF.No	Part No.	Description	Q'ty	S.No.	I/C	REMARKS	Weight (kgf)	Weight (lb)
010	66419-50010	ASSY REAR WHEEL	1				90	198
020	66419-50100	ASSY REAR WHEEL	1				45	99
030	66418-27950	WHEEL	1				14	30.8
040	67810-50120	TUBE	1				4.5	9.9
050	67810-50130	TIRE	1				27	59.4
060	32150-27700	ASSY VALVE	1				0.001	0.0022
070	32150-27740	CORE VALVE	1				0.003	0.0066
080	38240-11690	CAP VALVE	1				0.001	0.0022
090	66419-50140	LABEL TIRE LH	1				0.001	0.0022
100	66419-50200	ASSY REAR WHEEL RH	1				45	99
110	66418-27950	WHEEL	1				14	30.8
120	67810-50120	TUBE	1				4.5	9.9
130	67810-50130	TIRE	1				27	59.4
140	32150-27700	ASSY VALVE	1				0.001	0.0022
150	32150-27740	CORE VALVE	1				0.003	0.0066
160	38240-11690	CAP VALVE	1				0.001	0.0022
170	66419-50150	LABEL TIRE RH	1				0.002	0.0044
180	01073-51635	BOLT	8				0.086	0.1892
190	01517-51632	STUD	4				0.076	0.1672
200	02076-50160	NUT	4				0.03	0.066
210	04512-60160	WASHER SPRING	12				0.01	0.022
220	04011-60160	WASHER PLAIN	12				0.01	0.022



**REAR WHEEL (12.4-16)**

↔ Interchangeable; ≠ not interchangeable; ← new for old; → old for new

REF.No	Part No.	Description	Q'ty	S.No.	I/C	REMARKS	Weight (kgf)	Weight (lb)
010	66429-17610	ASSY REAR WHEEL	1			OBTAINED LOCALLY	0	0
020	66429-17620	ASSY REAR WHEEL	1			OBTAINED LOCALLY	0	0
030	32701-27950	WHEEL	1			OBTAINED LOCALLY	0	0
040	66429-17650	TIRE	1			OBTAINED LOCALLY	0	0
050	66429-17660	LABEL TIRE LH	1			OBTAINED LOCALLY	0	0
060	66429-17630	ASSY REAR WHEEL	1			OBTAINED LOCALLY	0	0
070	32701-27950	WHEEL	1			OBTAINED LOCALLY	0	0
080	66429-17650	TIRE	1			OBTAINED LOCALLY	0	0
090	66429-17670	LABEL TIRE RH	1			OBTAINED LOCALLY	0	0
100	01073-51635	BOLT	8				0.086	0.1892
110	01517-51632	STUD	4				0.076	0.1672
120	02076-50160	NUT	4				0.03	0.066
130	04512-60160	WASHER SPRING	12				0.01	0.022
140	04011-60160	WASHER PLAIN	12				0.01	0.022

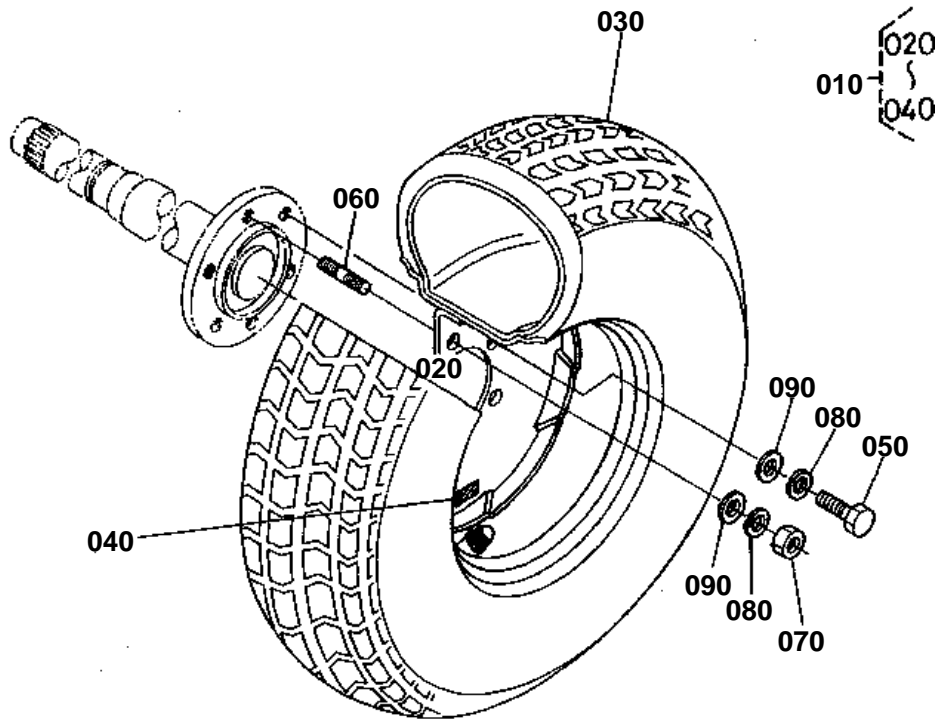


65418-054-10

**REAR WHEEL (13.6-16)**

↔ Interchangeable; ≠ not interchangeable; ← new for old; → old for new

REF.No	Part No.	Description	Q'ty	S.No.	I/C	REMARKS	Weight (kgf)	Weight (lb)
010	66418-50010	ASSY REAR WHEEL	1				90	198
020	66418-50100	ASSY REAR WHEEL	1				45	99
030	66418-27950	WHEEL	1				14	30.8
040	99424-27120	TUBE	1				3.8	8.36
050	38450-99330	TIRE	1				20.5	45.1
060	66418-50110	LABEL TIRE LH	1				0.002	0.0044
070	32150-27700	ASSY VALVE	1				0.001	0.0022
080	32150-27740	CORE VALVE	1				0.003	0.0066
090	38240-11690	CAP VALVE	1				0.001	0.0022
100	66418-50200	ASSY REAR WHEEL RH	1				45	99
110	66418-27950	WHEEL	1				14	30.8
120	99424-27120	TUBE	1				3.8	8.36
130	38450-99330	TIRE	1				20.5	45.1
140	66418-50120	LABEL TIRE RH	1				0.001	0.0022
150	32150-27700	ASSY VALVE	1				0.001	0.0022
160	32150-27740	CORE VALVE	1				0.003	0.0066
170	38240-11690	CAP VALVE	1				0.001	0.0022
180	01073-51635	BOLT	8				0.086	0.1892
190	01517-51632	STUD	4				0.076	0.1672
200	02076-50160	NUT	4				0.03	0.066
210	04512-60160	WASHER SPRING	12				0.01	0.022
220	04011-60160	WASHER PLAIN	12				0.01	0.022



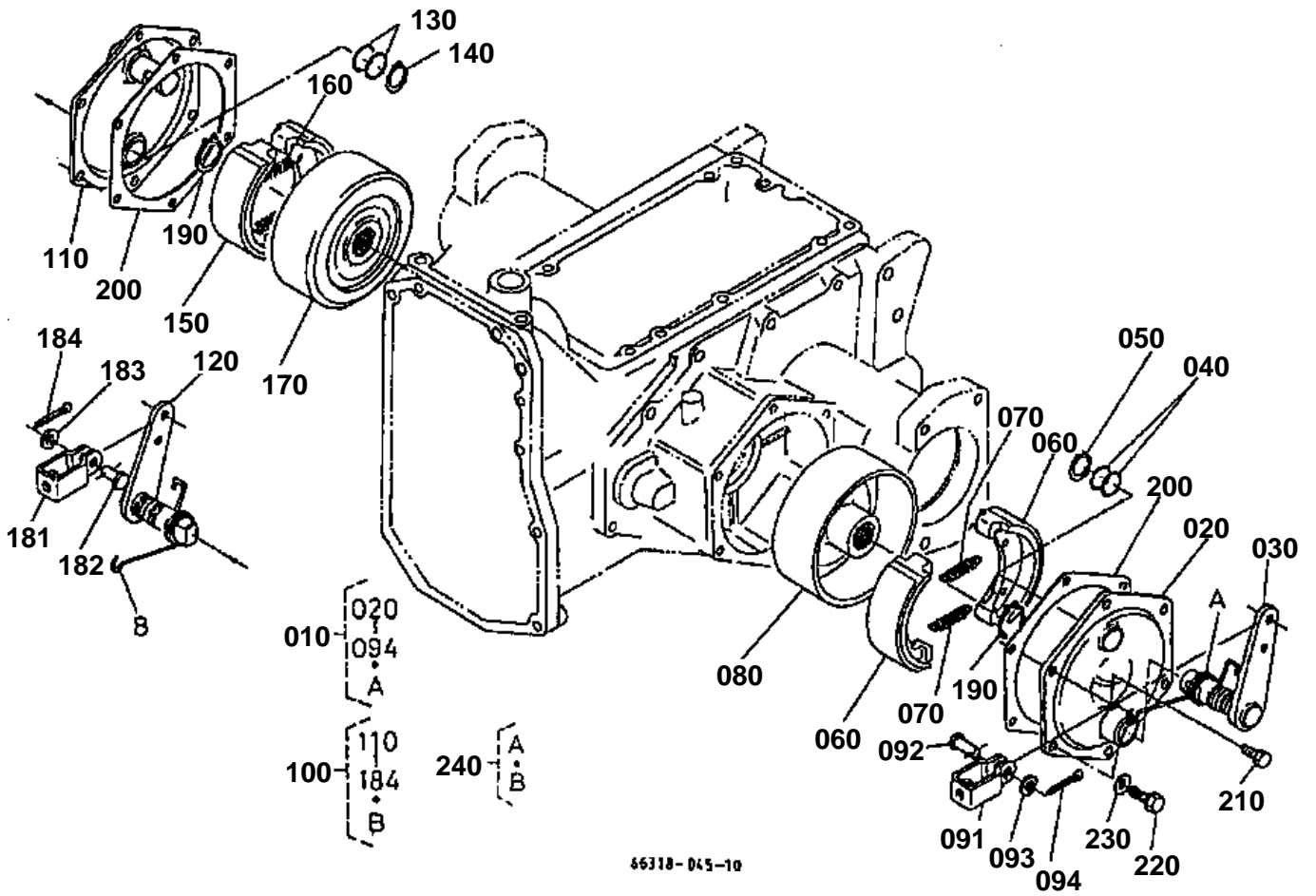
66418-055-10

**REAR WHEEL (13.6-16)**

↔ Interchangeable; ≠ not interchangeable; ← new for old; → old for new

REF.No	Part No.	Description	Q'ty	S.No.	I/C	REMARKS	Weight (kgf)	Weight (lb)
010	66428-17610	ASSY REAR WHEEL	2			OBTAINED LOCALLY	0	0
020	32701-27950	WHEEL	2			OBTAINED LOCALLY	0	0
030	66428-17630	TIRE	2			OBTAINED LOCALLY	0	0
040	66428-17640	LABEL TIRE	2			OBTAINED LOCALLY	0	0
050	01073-51635	BOLT	8				0.086	0.1892
060	01517-51632	STUD	4				0.076	0.1672
070	02076-50160	NUT	4				0.03	0.066
080	04512-60160	WASHER SPRING	12				0.01	0.022
090	04011-60160	WASHER PLAIN	12				0.01	0.022

BRAKE

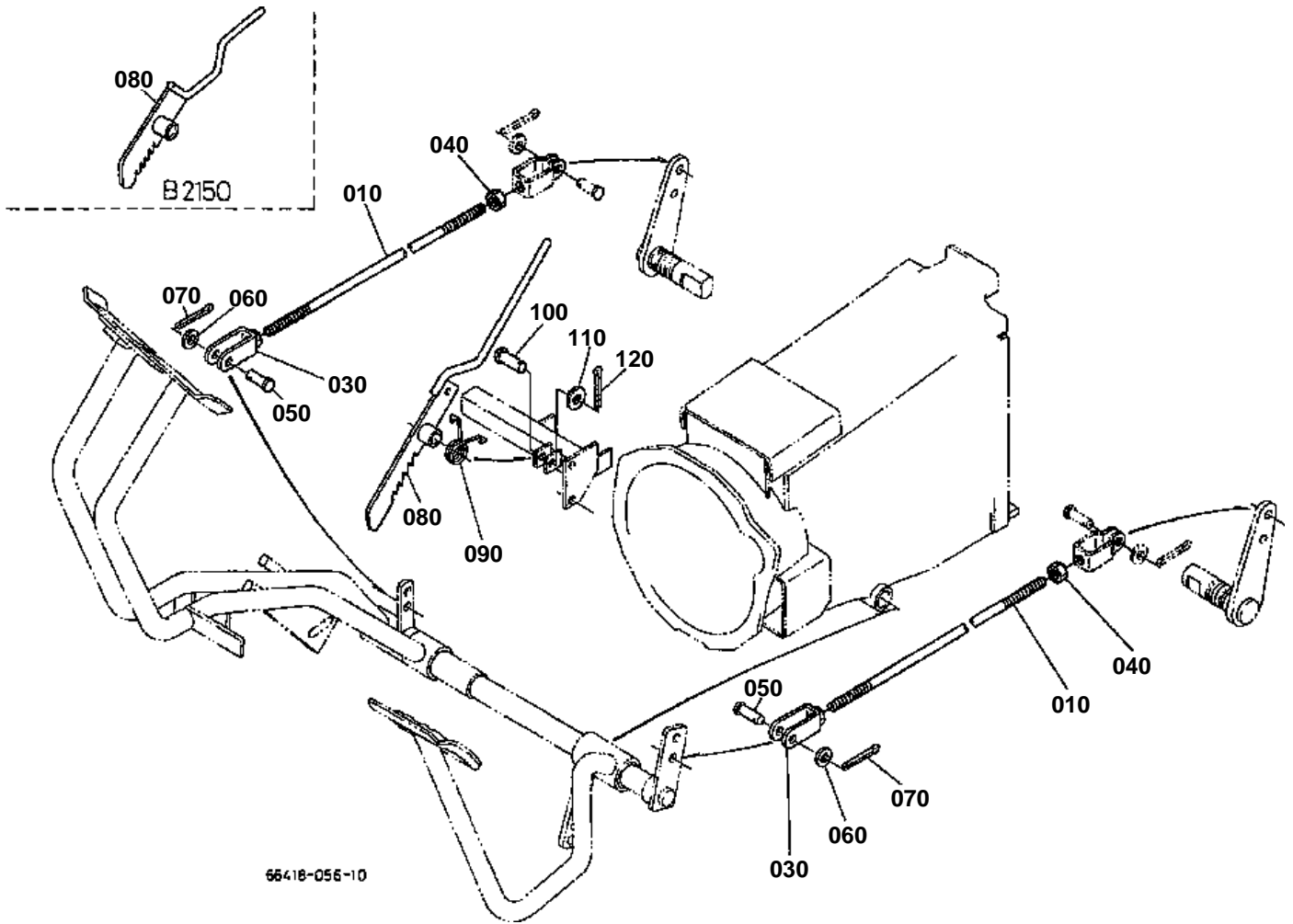


**BRAKE**

↔ Interchangeable; ≠ not interchangeable; ← new for old; → old for new

REF.No	Part No.	Description	Q'ty	S.No.	I/C	REMARKS	Weight (kgf)	Weight (lb)
010	66385-22302	ASSY BRAKE LH	1				3.4	7.48
020	67800-22310	COVER BRAKE	1				0.92	2.024
030	67111-22320	CAM BRAKE LH	1				0.35	0.77
040	04811-00180	O RING	2				0	0
050	04612-00220	CIRCLIP EXTERNAL	1				0.001	0.0022
060	67111-22350	SHOE BRAKE	2	<=10227			0	0
060	66385-22390	KIT SHOE BRAKE	1	>=10228	↔		0.5	1.1
070	67111-22370	SPRING RETURN	2				0.008	0.0176
080	67800-22380	DRUM BRAKE	1				1.6	3.52
091	63753-42350	U JOINT	1	>=10228			0.038	0.0836
092	05122-50820	PIN JOINT	1	>=10228			0.009	0.0198
093	04012-50080	WASHER PLAIN	1	>=10228			0.001	0.0022
094	05511-50215	PIN SPLIT	1	>=10228			0.001	0.0022
100	66385-22402	ASSY BRAKE RH	1				0.5	1.1
110	67800-22310	COVER BRAKE	1				0.92	2.024
120	67111-22420	CAM BRAKE RH	1				0.36	0.792
130	04811-00180	O RING	2				0	0
140	04612-00220	CIRCLIP EXTERNAL	1				0.001	0.0022
150	67111-22350	SHOE BRAKE	2	<=10227			0	0
150	66385-22390	KIT SHOE BRAKE	1	>=10228	↔		0.5	1.1
160	67111-22370	SPRING RETURN	2				0.008	0.0176
170	67800-22380	DRUM BRAKE	1				1.6	3.52
181	63753-42350	U JOINT	1	>=10228			0.038	0.0836
182	05122-50820	PIN JOINT	1	>=10228			0.009	0.0198
183	04012-50080	WASHER PLAIN	1	>=10228			0.001	0.0022
184	05511-50215	PIN SPLIT	1	>=10228			0.001	0.0022
190	04612-00300	CIRCLIP EXTERNAL	2				0.003	0.0066
200	66385-22610	GASKET	2				0	0
210	01123-60816	BOLT	10				0.01	0.022
220	01123-50820	BOLT	2				0.011	0.0242
230	04013-50080	WASHER PLAIN	2				0	0
240	67800-99630	ASSY SPRING BRAKE	1				0.06	0.132

BRAKE ROD

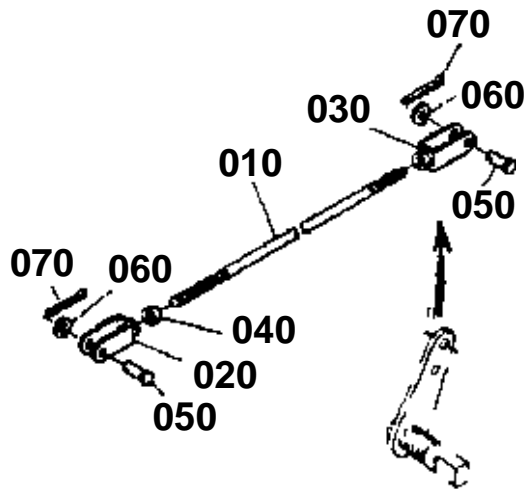


020 67311-4283-0

050 05122-50822

060 04012-50080

070 05511-50215



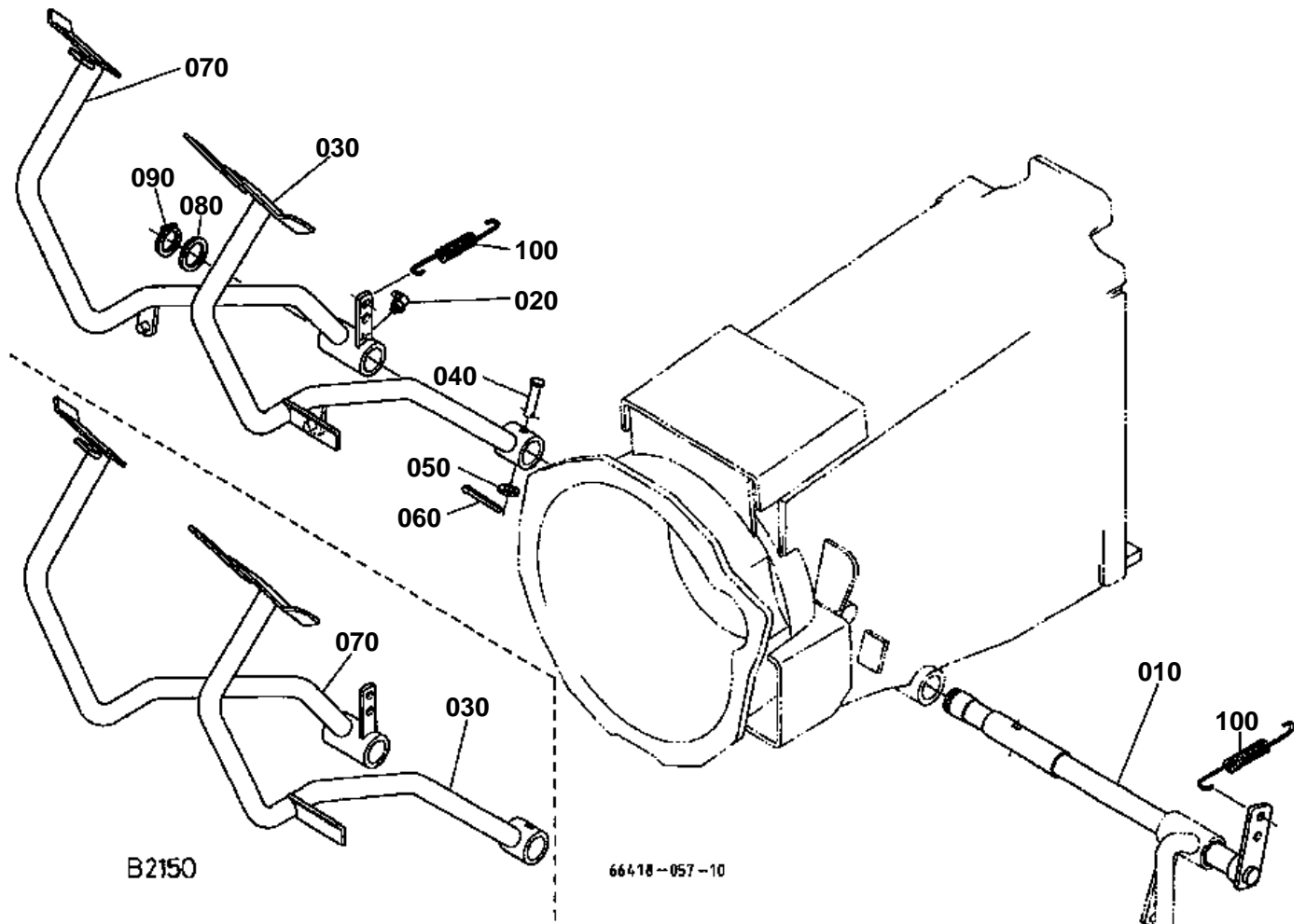
66418-805-10

**BRAKE ROD**

↔ Interchangeable; ≠ not interchangeable; ← new for old; → old for new

REF.No	Part No.	Description	Q'ty	S.No.	I/C	REMARKS	Weight (kgf)	Weight (lb)
010	67800-44510	ROD BRAKE	2				0.21	0.462
020	67311-42830	U-JOINT	1	≤10227			0.05	0.11
030	67111-44530	U-JOINT	2				0.048	0.1056
040	02112-50080	NUT	2				0.003	0.0066
050	05122-50822	PIN JOINT	4	≤10227			0.01	0.022
050	05122-50822	PIN JOINT	2	≥10228			0.01	0.022
060	04012-50080	WASHER PLAIN	4	≤10227			0.001	0.0022
060	04012-50080	WASHER PLAIN	2	≥10228			0.001	0.0022
070	05511-50215	PIN SPLIT	4	≤10227			0.001	0.0022
070	05511-50215	PIN SPLIT	2	≥10228			0.001	0.0022
080	67800-44555	LEVER BRAKE LOCK	1				0.15	0.33
090	67800-44560	SPRING BRAKE LOCK	1				0.015	0.033
100	05122-51235	PIN JOINT	1				0.034	0.0748
110	04011-50120	WASHER PLAIN	1				0.005	0.011
120	05511-50425	PIN SPLIT	1				0.003	0.0066

BRAKE PEDAL



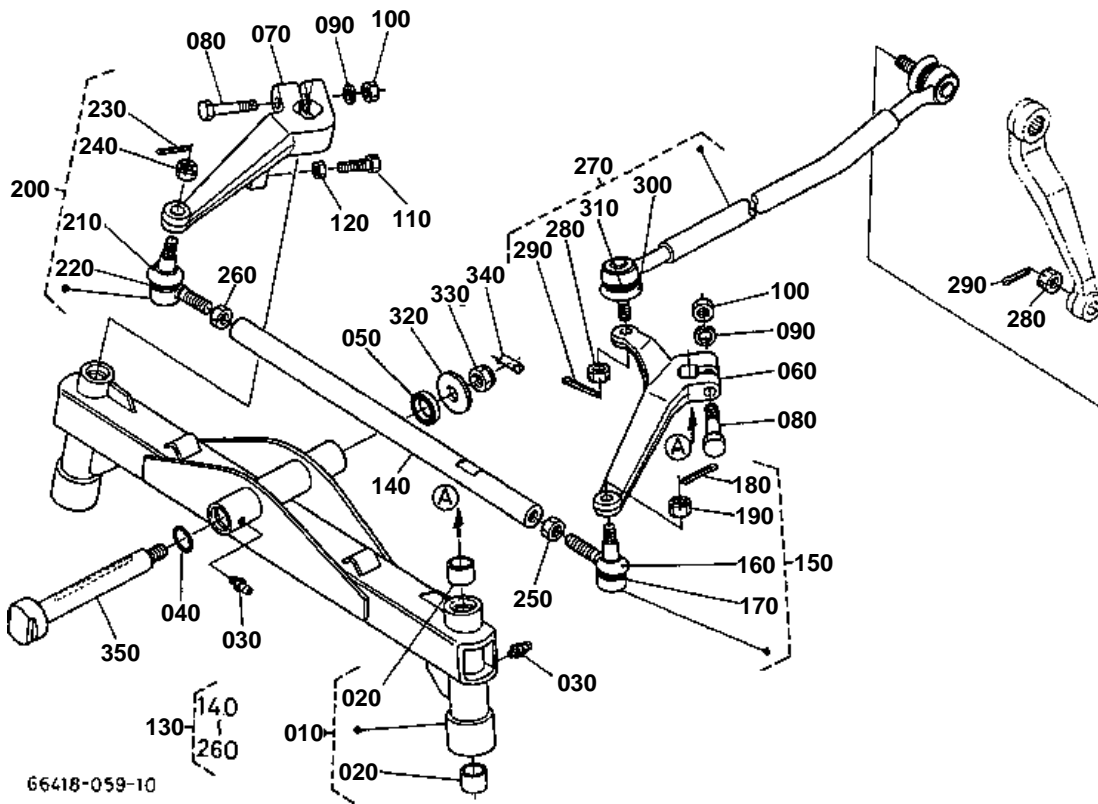


BRAKE PEDAL

↔ Interchangeable; ≠ not interchangeable; ← new for old; → old for new

REF.No	Part No.	Description	Q'ty	S.No.	I/C	REMARKS	Weight (kgf)	Weight (lb)
010	67111-44210	SHAFT BRAKE PEDAL	1				1.56	3.432
020	67111-44250	NIPPLE GREASE	2				0.005	0.011
030	66418-44310	PEDAL BRAKE LH	1				1.8	3.96
040	05122-50840	PIN JOINT	1				0.017	0.0374
050	04012-50080	WASHER PLAIN	1				0.001	0.0022
060	05511-50215	PIN SPLIT	1				0.001	0.0022
070	66418-44320	PEDAL BRAKE RH	1				1.9	4.18
080	66591-43233	COLLAR	1				0.004	0.0088
090	04612-00240	CIRCLIP EXTERNAL	1				0.002	0.0044
100	67800-44540	SPRING BRAKE RETURN	2				0.045	0.099

FRONT AXLE/KNUCKLE ARM



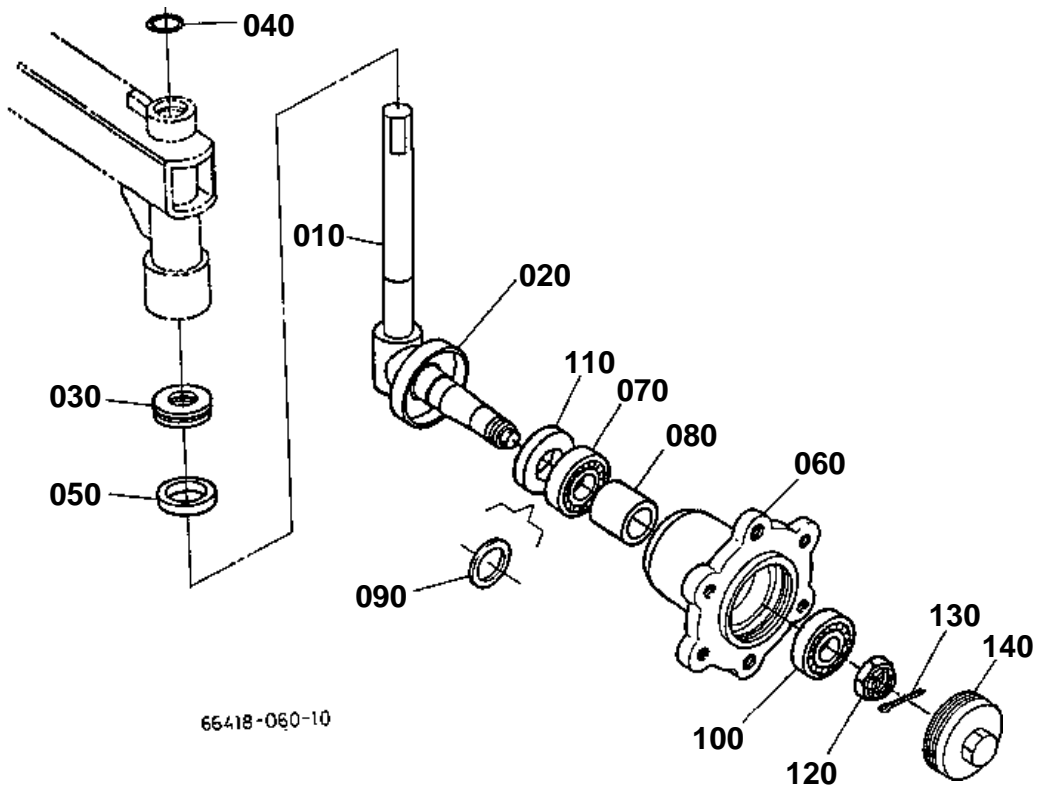


FRONT AXLE/KNUCKLE ARM

↔ Interchangeable; ≠ not interchangeable; ← new for old; → old for new

REF.No	Part No.	Description	Q'ty	S.No.	I/C	REMARKS	Weight (kgf)	Weight (lb)
010	67511-56110	COMP.AXLE FRONT	1				11	24.2
020	34150-28430	BUSH	4				0.04	0.088
030	06613-10675	NIPPLE GREASE	4				0.003	0.0066
040	04811-10250	O RING	1				0.001	0.0022
050	09230-25355	SEAL OIL	1				0.005	0.011
060	67800-56410	ARM KNUCKLE LH	1				1.59	3.498
070	67800-56420	ARM KNUCKLE RH	1				1.13	2.486
080	01173-51060	BOLT	2				0.038	0.0836
090	04512-60100	WASHER SPRING	2				0.002	0.0044
100	02118-50100	NUT	2				0.005	0.011
110	66591-56440	BOLT ADJUSTING	2				0.02	0.044
120	02112-50100	NUT	2				0.004	0.0088
130	67810-56502	ASSY ROD TIE	1				2.14	4.708
140	67810-56512	ROD TIE	1				1.5	3.3
150	38440-44790	ASSY END TIE ROD LH	1				0.32	0.704
160	38240-12650	COVER DUST	1				0.01	0.022
170	38240-12660	CLIP	1				0.005	0.011
180	05511-50325	PIN SPLIT	1				0.002	0.0044
190	38240-12830	NUT	1				0.008	0.0176
200	38440-44780	ASSY END TIE ROD RH	1				0.322	0.7084
210	38240-12650	COVER DUST	1				0.01	0.022
220	38240-12660	CLIP	1				0.005	0.011
230	05511-50325	PIN SPLIT	1				0.002	0.0044
240	38240-12830	NUT	1				0.008	0.0176
250	32240-12280	NUT	1				0.017	0.0374
260	02174-50160	NUT	1				0.022	0.0484
270	66418-56900	COMP.LINK DRAG	1				2.16	4.752
280	38240-12830	NUT	2				0.008	0.0176
290	05511-50325	PIN SPLIT	2				0.002	0.0044
300	38240-12650	COVER DUST	4				0.01	0.022
310	38240-12660	CLIP	4				0.005	0.011
320	67800-51240	WASHER	1				0.06	0.132
330	02372-50180	NUT	1				0.019	0.0418
340	66611-57150	SPRING SET	1				0.02	0.044
350	67800-56140	PIN CENTER	1				0.81	1.782

FRONT WHEEL HUB

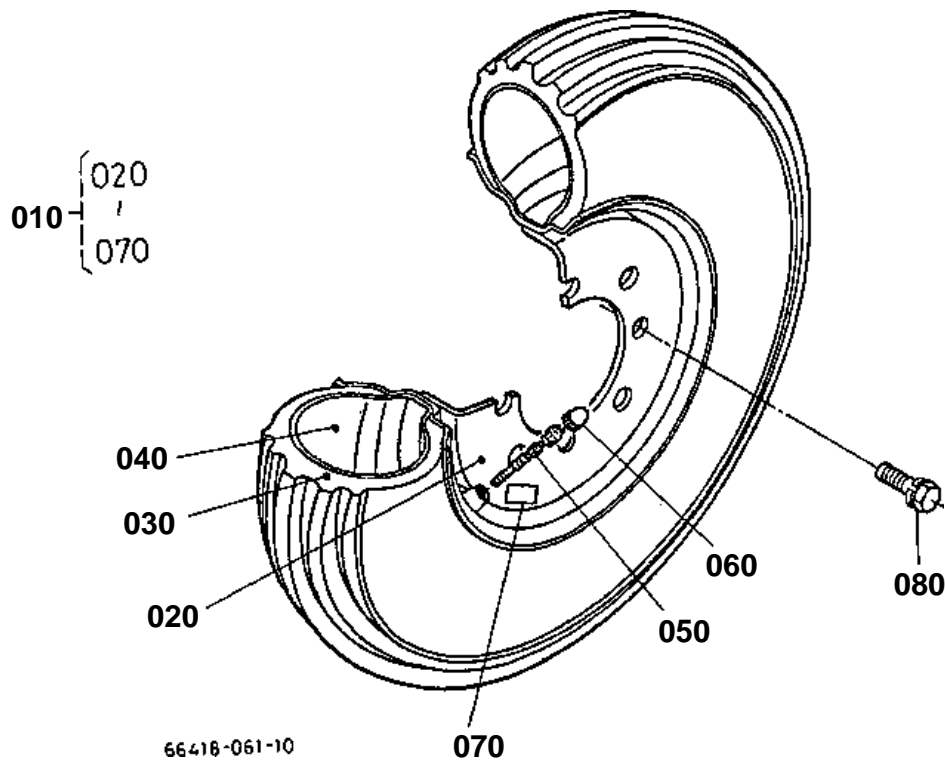




FRONT WHEEL HUB

↔ Interchangeable; ≠ not interchangeable; ← new for old; → old for new

REF.No	Part No.	Description	Q'ty	S.No.	I/C	REMARKS	Weight (kgf)	Weight (lb)
010	67511-56210	KINGPIN	2				1.51	3.322
020	34150-11480	COVER DUST	2				0.055	0.121
030	34150-11250	BEARING THRUST	2				0.065	0.143
040	04811-50250	O RING	2				0	0
050	34150-11280	SEAL OIL	2				0.048	0.1056
060	67800-56310	HUB FRONT WHEEL	2				2.5	5.5
070	08101-06205	BEARING BALL	2				0.14	0.308
080	34150-11420	COLLAR	2				0.125	0.275
090	34150-11440	WASHER	2				0.004	0.0088
100	08101-06204	BEARING BALL	2				0.102	0.2244
110	34150-11150	SEAL OIL	2				0.05	0.11
120	02372-50200	NUT	2				0.024	0.0528
130	67800-56450	PIN SET	2				0.001	0.0022
140	67800-56350	CAP F-WHEEL HUB	2				0.1	0.22

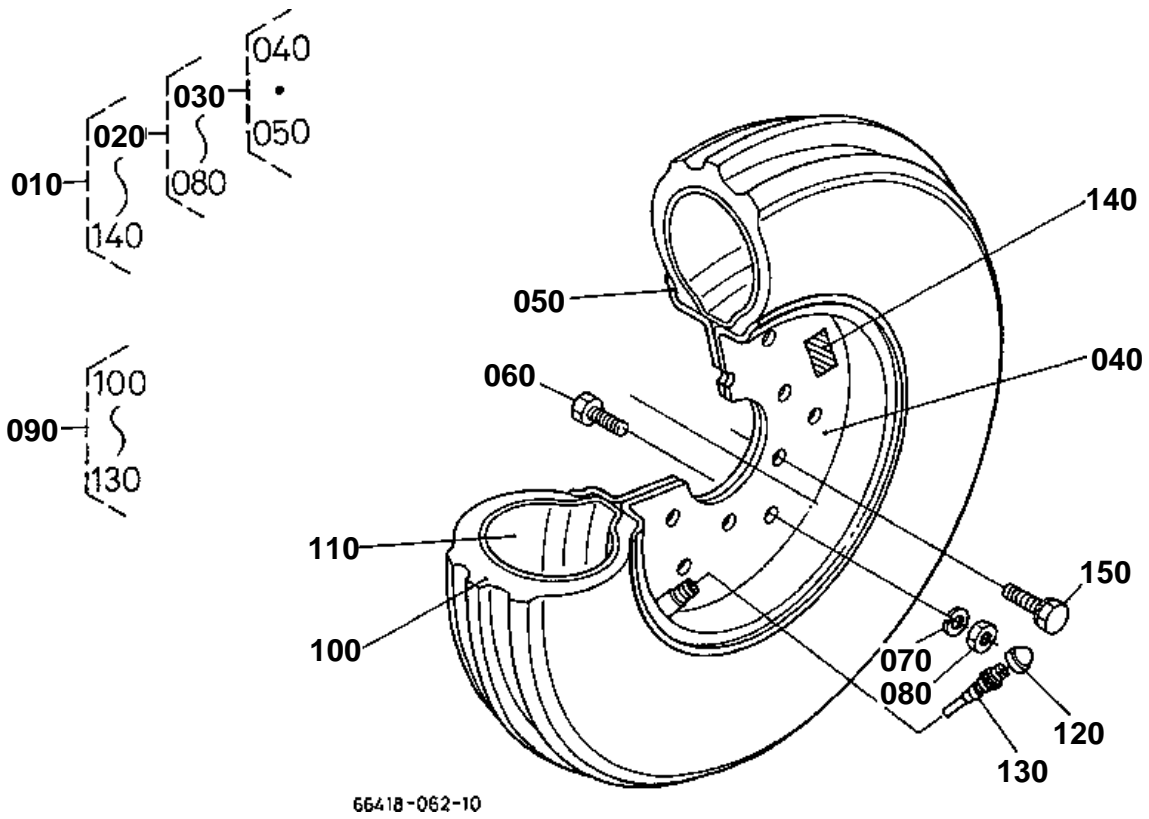




FRONT WHEEL (4.00-12)

↔ Interchangeable; ≠ not interchangeable; ← new for old; → old for new

REF.No	Part No.	Description	Q'ty	S.No.	I/C	REMARKS	Weight (kgf)	Weight (lb)
010	66419-57470	ASSY TIRE FRONT	2				9.2	20.24
020	66419-57480	WHEEL	2				5	11
030	32150-11620	TIRE	2				3.8	8.36
040	32150-11630	TUBE	2				0.45	0.99
050	32150-27740	CORE VALVE	2				0.003	0.0066
060	38240-11690	CAP VALVE	2				0.001	0.0022
070	66419-57490	LABEL	2				0.001	0.0022
080	01133-51225	BOLT	12				0.035	0.077

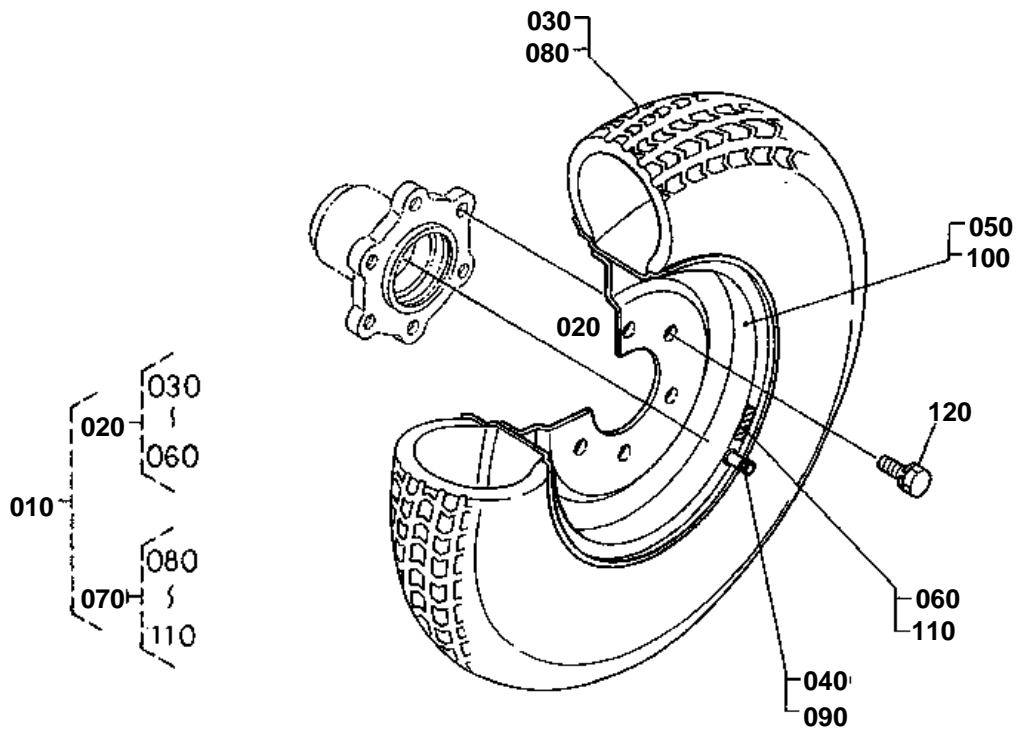


**FRONT WHEEL (6.50-12)**

↔ Interchangeable; ≠ not interchangeable; ← new for old; → old for new

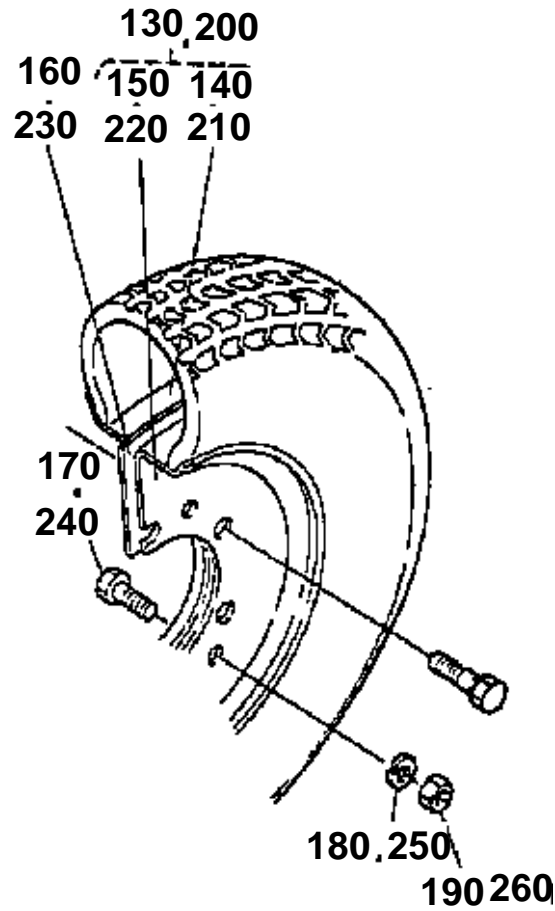
REF.No	Part No.	Description	Q'ty	S.No.	I/C	REMARKS	Weight (kgf)	Weight (lb)
010	66418-57340	ASSY TIRE FRONT	2				16.5	36.3
020	66418-57350	ASSY WHEEL	2				8	17.6
030	66418-57360	WHEEL	2				7.7	16.94
040	67800-57330	RIM	2				3.85	8.47
050	67800-57340	RIM	2				3.88	8.536
060	01073-51230	BOLT	12				0.041	0.0902
070	04512-50120	WASHER SPRING	12				0	0
080	02074-50120	NUT	12				0.015	0.033
090	67800-57350	ASSY TIRE	2				8	17.6
100	67800-57360	TIRE	2				0	0
110	67800-57370	TUBE	2				1.05	2.31
120	38240-11690	CAP VALVE	2				0.001	0.0022
130	32150-27740	CORE VALVE	2				0.003	0.0066
140	66418-57380	LABEL	2				0.002	0.0044
150	01133-51225	BOLT	12				0.035	0.077

FRONT WHEEL (23 X 8.50-12)



66418-063-10

130 200 66418-5752-0
140 210 67800-5754-0
150 220 67800-5755-0
160 230 35260-1186-0
170 240 01173-51022
180 250 04512-60100
190 260 02118-50100



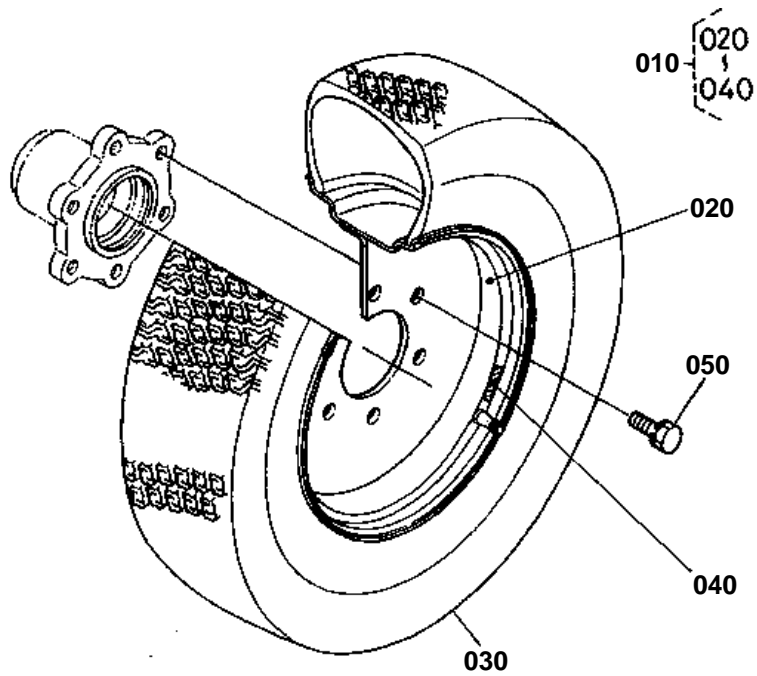
66418-815-10



FRONT WHEEL (23 X 8.50-12)

↔ Interchangeable; ≠ not interchangeable; ← new for old; → old for new

REF.No	Part No.	Description	Q'ty	S.No.	I/C	REMARKS	Weight (kgf)	Weight (lb)
010	66419-57500	ASSY FRONT WHEEL	1				32	70.4
020	66419-57510	ASSY FRONT WHEEL LH	1				16	35.2
030	35260-11810	TIRE	1				7.12	15.664
040	34159-11850	VALVE TIRE	1				0.013	0.0286
050	66418-57560	ASSY WHEEL	1	<=10226			8	17.6
050	32711-57420	WHEEL	1	>=10227	←		8	17.6
060	66419-57580	LABEL TIRE LH	1				0.001	0.0022
070	67419-57570	ASSY FRONT WHEEL RH	1				0	0
080	35260-11810	TIRE	1				7.12	15.664
090	34159-11850	VALVE TIRE	1				0.013	0.0286
100	66418-57560	ASSY WHEEL	1	<=10226			8	17.6
100	32711-57420	WHEEL	1	>=10227	←		8	17.6
110	66419-57590	LABEL TIRE RH	1				0.002	0.0044
120	01133-51225	BOLT	12				0.035	0.077
130	66418-57520	WHEEL	1	<=10226			8	17.6
140	67800-57540	RIM	1	<=10226			3.88	8.536
150	67800-57550	RIM	1	<=10226			3.92	8.624
160	35260-11860	GASKET	1	<=10226			0.065	0.143
170	01173-51022	BOLT	8	<=10226			0.019	0.0418
180	04512-60100	WASHER SPRING	8	<=10226			0.002	0.0044
190	02118-50100	NUT	8	<=10226			0.005	0.011
200	66418-57520	WHEEL	1	<=10226			8	17.6
210	67800-57540	RIM	1	<=10226			3.88	8.536
220	67800-57550	RIM	1	<=10226			3.92	8.624
230	35260-11860	GASKET	1	<=10226			0.065	0.143
240	01173-51022	BOLT	8	<=10226			0.019	0.0418
250	04512-60100	WASHER SPRING	8	<=10226			0.002	0.0044
260	02118-50100	NUT	8	<=10226			0.005	0.011



66418-066-10

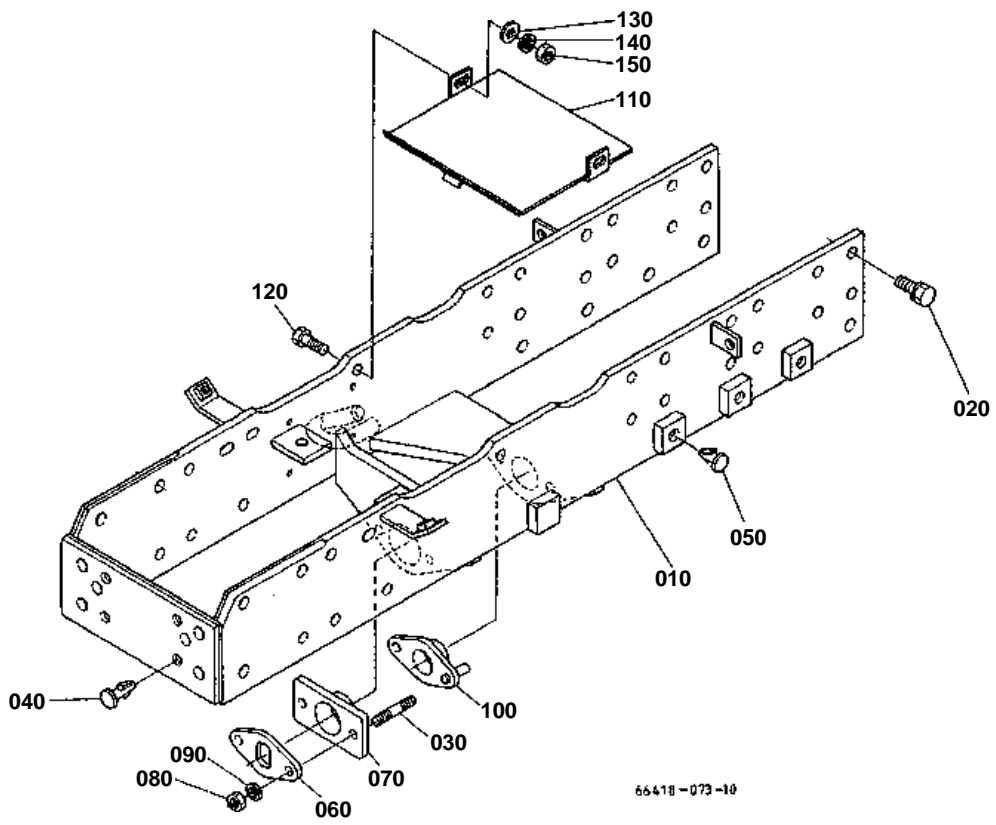


FRONT WHEEL (23 X 8.50-12)

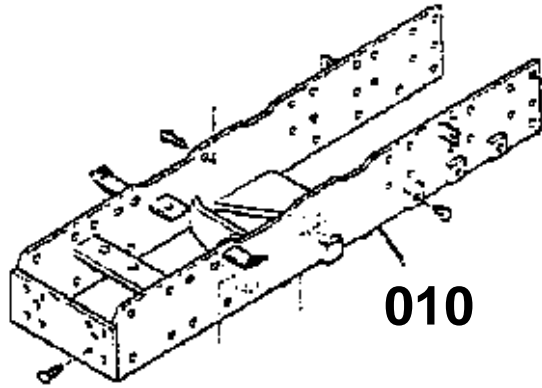
↔ Interchangeable; ≠ not interchangeable; ← new for old; → old for new

REF.No	Part No.	Description	Q'ty	S.No.	I/C	REMARKS	Weight (kgf)	Weight (lb)
010	66428-57110	ASSY TIRE FRONT	2			OBTAINED LOCALLY	0	0
020	66428-57120	WHEEL	2			OBTAINED LOCALLY	0	0
030	66428-57130	TIRE	2			OBTAINED LOCALLY	0	0
040	66428-57140	LABEL	2			OBTAINED LOCALLY	0	0
050	01133-51225	BOLT	12				0.035	0.077

FRONT AXEL FRAME



010 66418-5191-0



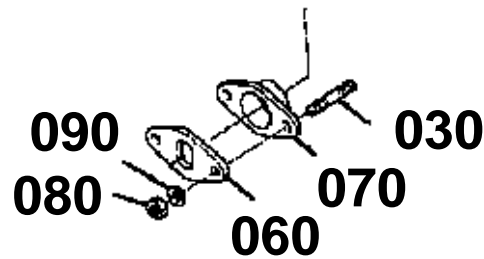
030 01513-50820

060 67800-5196-0

070 67800-5197-0

080 02114-50080

090 04512-50080



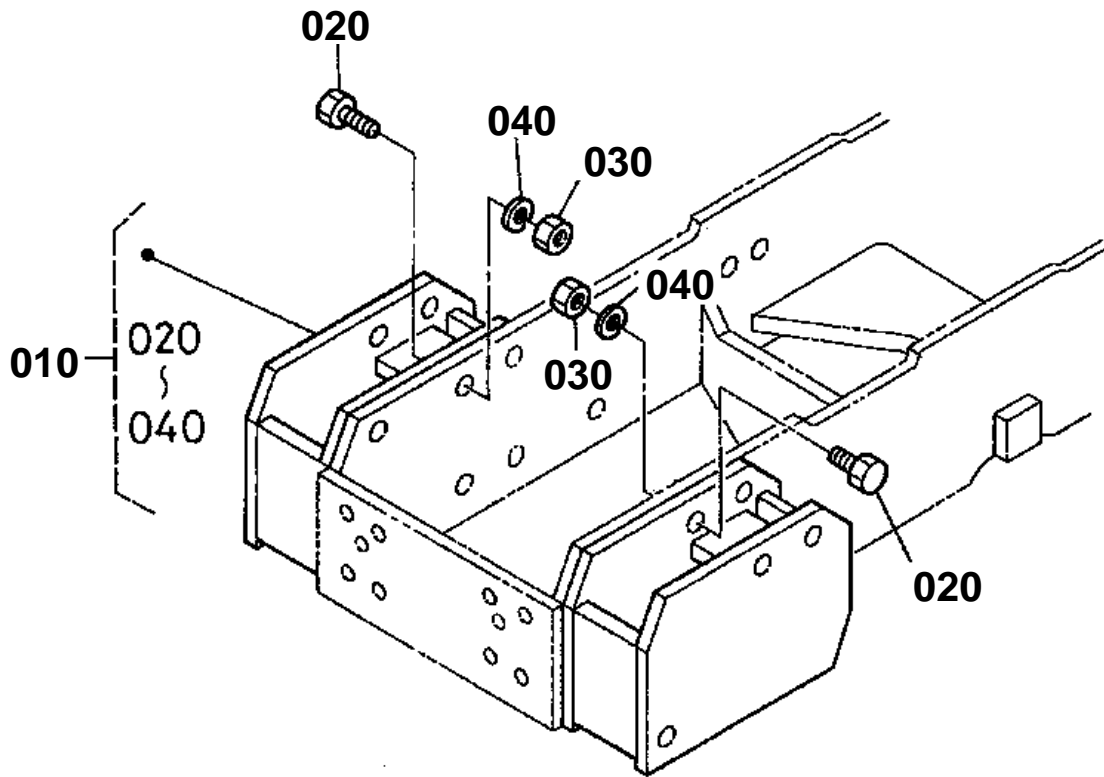
66418-812-10



FRONT AXEL FRAME

↔ Interchangeable; ≠ not interchangeable; ← new for old; → old for new

REF.No	Part No.	Description	Q'ty	S.No.	I/C	REMARKS	Weight (kgf)	Weight (lb)
010	66418-51910	FRAME FRONT AXLE	1	≤10194			21	46.2
010	66418-51913	FRAME FRONT AXLE	1	≥10195	≠		21	46.2
020	01133-51025	BOLT	16			W/O BI-SPEED TURN	0.023	0.0506
030	01513-50820	STUD	2	≤10194			0	0
030	01517-61022	STUD	2	≥10195	≠		0.019	0.0418
040	67211-51120	PLUG	4				0.001	0.0022
050	67211-11140	PLUG	6				0.001	0.0022
060	67800-51960	WASHER LOCK	1	≤10194			0.095	0.209
060	32701-51960	WASHER LOCK	1	≥10195	≠		0.09	0.198
070	67800-51970	BUSH	1	≤10194			0.11	0.242
070	67800-51972	BUSH	1	≥10195	≠		0.15	0.33
080	02114-50080	NUT	2	≤10194			0.005	0.011
080	02114-50100	NUT	2	≥10195	≠		0.005	0.011
090	04512-60080	WASHER SPRING	2	≤10194			0.002	0.0044
090	04512-60100	WASHER SPRING	2	≥10195	≠		0.002	0.0044
100	67800-51980	BUSH	1				0.125	0.275
110	66418-51950	COVER F.AXLE FRAME	1				0.25	0.55
120	01153-50825	BOLT	2				0.012	0.0264
130	04013-50080	WASHER PLAIN	2				0	0
140	04512-60080	WASHER SPRING	2				0.002	0.0044
150	02114-50080	NUT	2				0.005	0.011



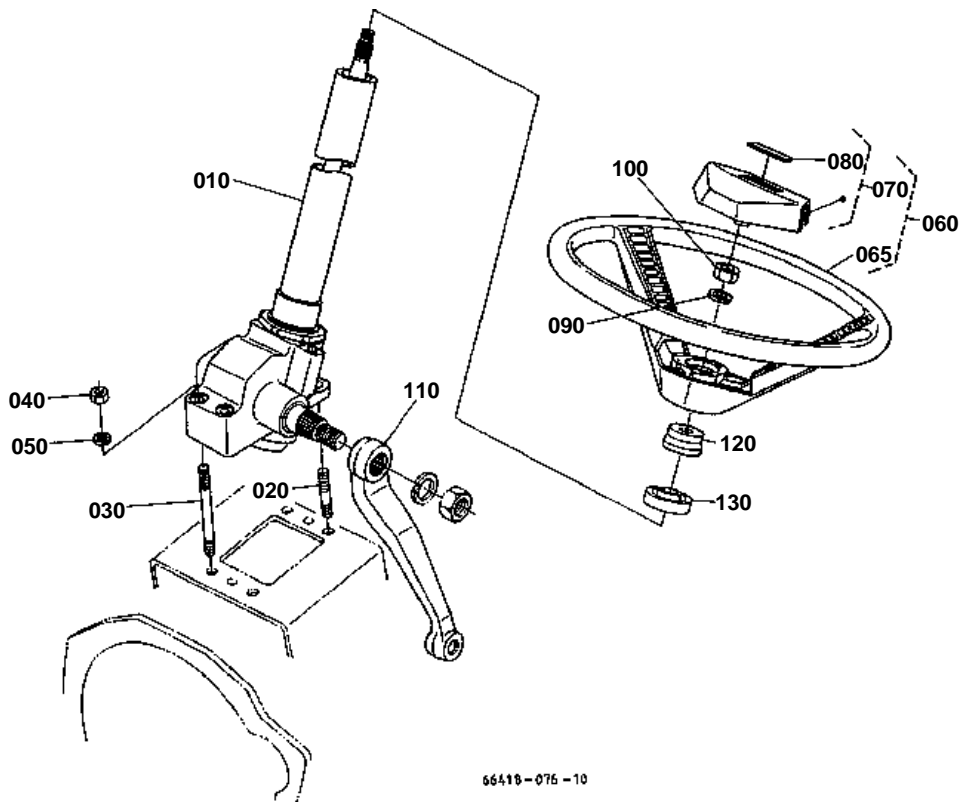
66318-088-10



FRONT WEIGHT BRACKET [OPTION]

↔ Interchangeable; ≠ not interchangeable; ← new for old; → old for new

REF.No	Part No.	Description	Q'ty	S.No.	I/C	REMARKS	Weight (kgf)	Weight (lb)
010	67800-86100	KIT BRACKET WEIGHT	1				4.9	10.78
020	01173-51230	BOLT	4				0.037	0.0814
030	02174-50120	NUT	4				0.01	0.022
040	04512-50120	WASHER SPRING	4				0	0

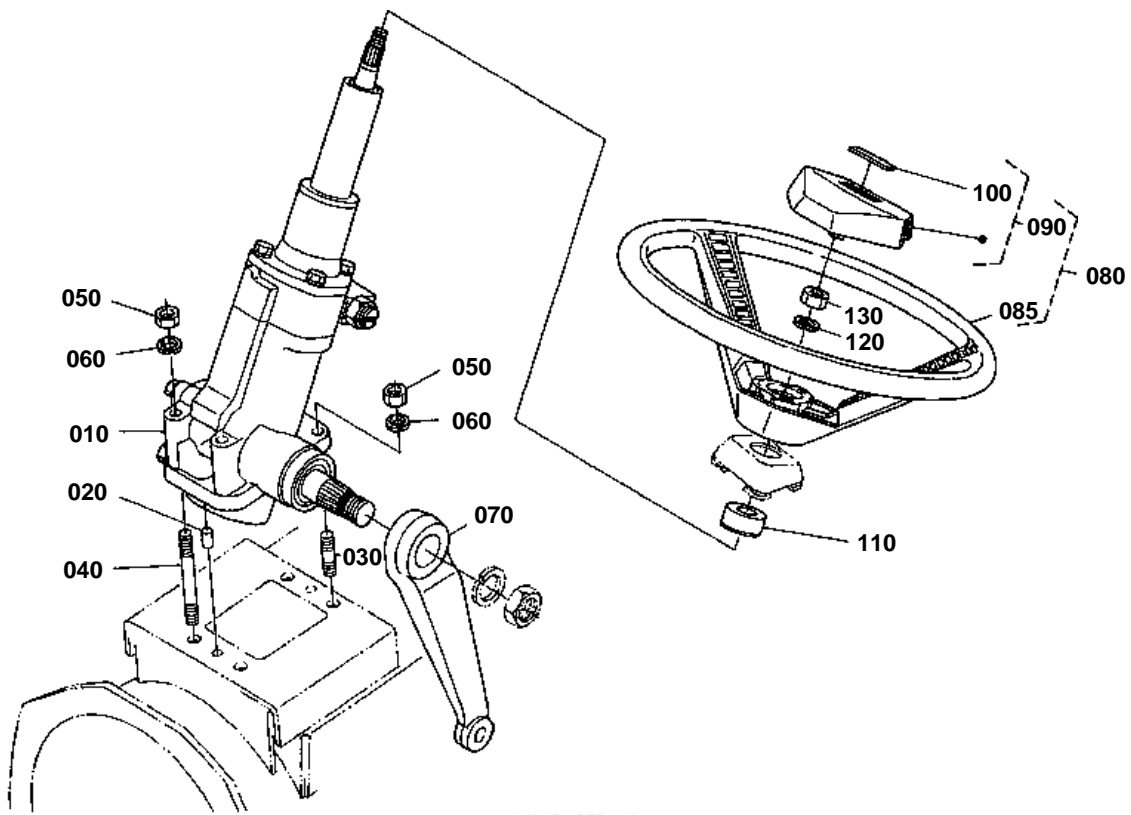


66418-076-10

**MANUAL STEERING**

↔ Interchangeable; ≠ not interchangeable; ← new for old; → old for new

REF.No	Part No.	Description	Q'ty	S.No.	I/C	REMARKS	Weight (kgf)	Weight (lb)
010	66361-41102	ASSY STEERING	1				7	15.4
020	01517-51035	STUD	2				0.028	0.0616
030	01517-51080	STUD	2				0.053	0.1166
040	02176-50100	NUT	4				0.005	0.011
050	04512-60100	WASHER SPRING	4				0.002	0.0044
060	66150-41450	ASSY WHEEL STEERING	1	>=10228			1.9	4.18
065	37410-41460	WHEEL STEERING	1				2	4.4
070	37410-41470	ASSY PAD	1	<=10227			0	0
070	67148-41470	ASSY PAD	1	>=10228	←		0.06	0.132
080	37410-41490	MARK	1	<=10227			0.005	0.011
080	67148-41490	MARK	1	>=10228	←		0.005	0.011
090	04512-50120	WASHER SPRING	1				0	0
100	02174-50120	NUT	1				0.01	0.022
110	66361-41410	ARM PITMAN	1				0.9	1.98
120	66301-41150	COVER SHAFT	1				0.07	0.154
130	38240-16390	SEAL OIL	1				0.03	0.066

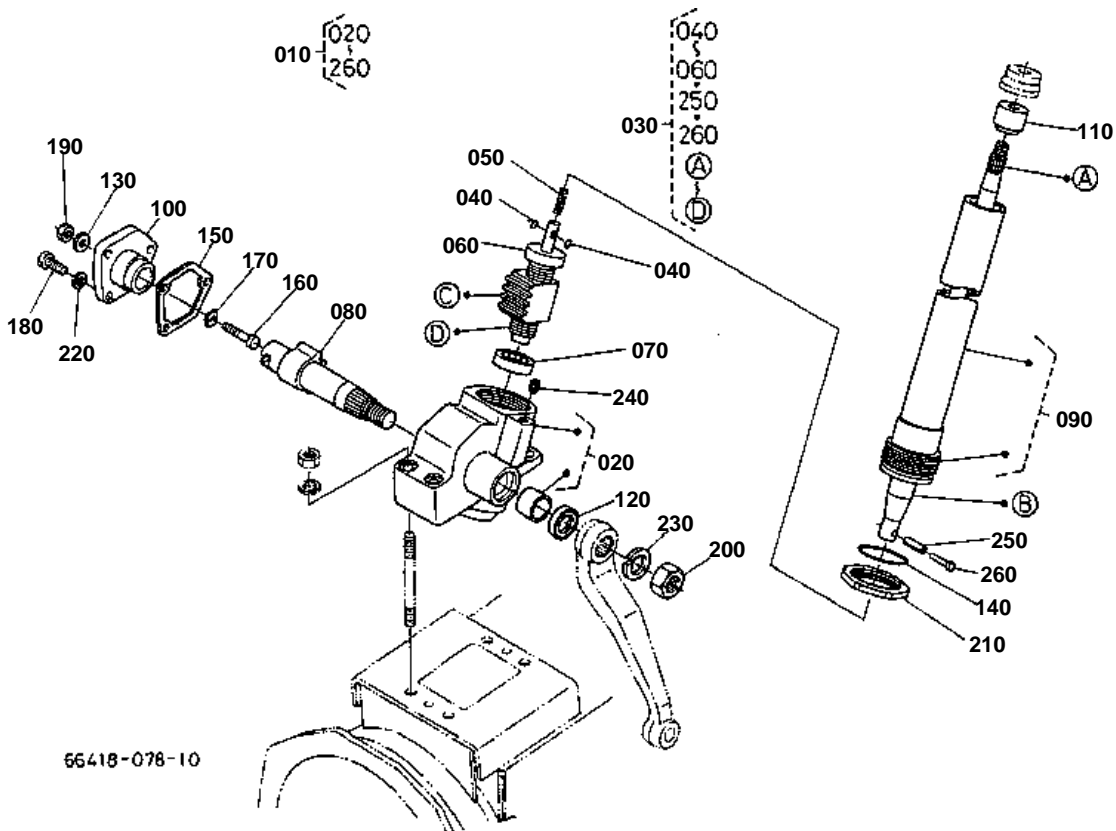


66418-077-10

**POWER STEERING**

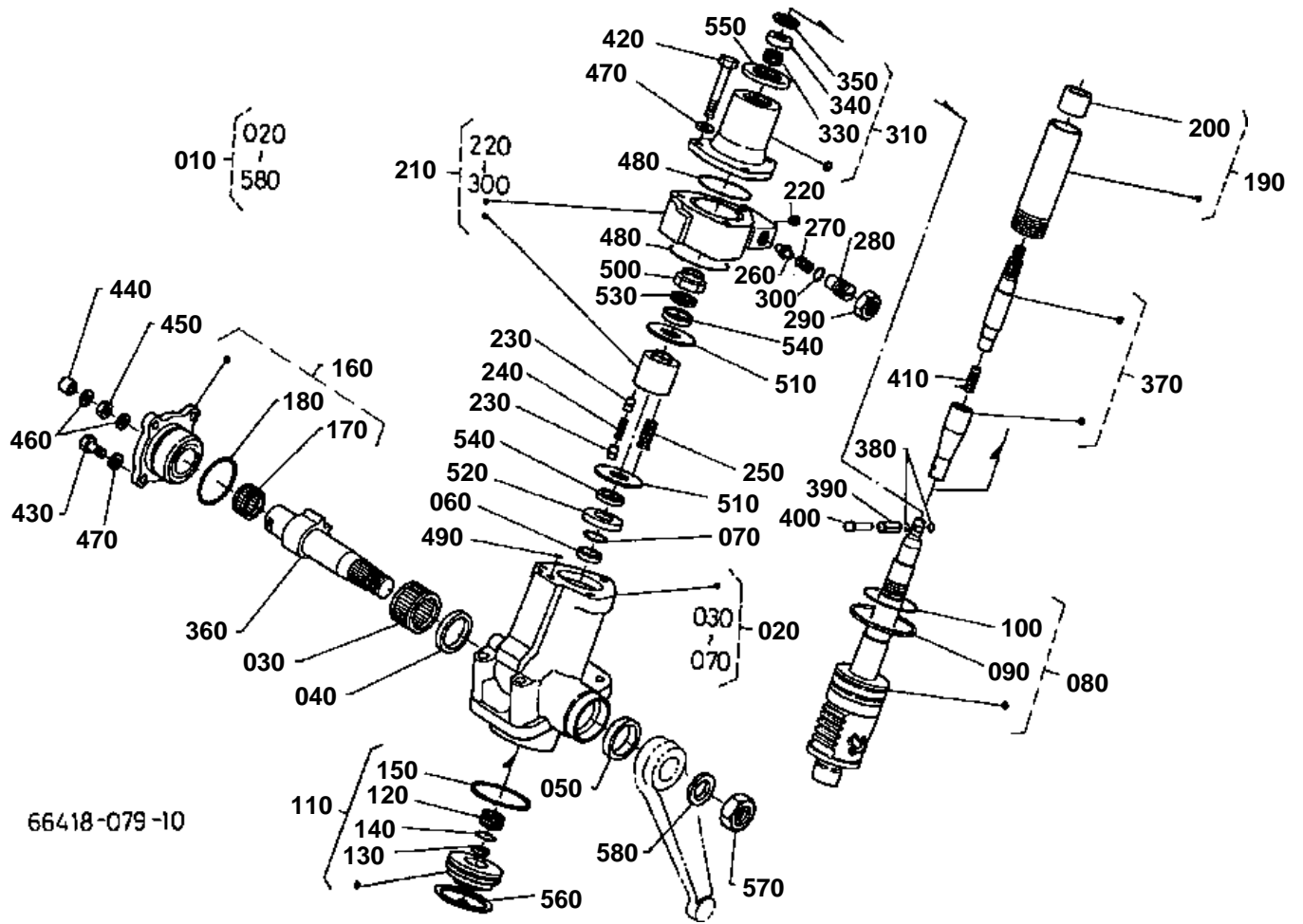
↔ Interchangeable; ≠ not interchangeable; ← new for old; → old for new

REF.No	Part No.	Description	Q'ty	S.No.	I/C	REMARKS	Weight (kgf)	Weight (lb)
010	66363-41103	ASSY STEERING POWER	1	<=10271			0	0
010	66363-41104	ASSY STEERING POWER	1	>=10272	←		14	30.8
020	37150-27370	PIN STRAIGHT	2				0.009	0.0198
030	01517-51035	STUD	2				0.028	0.0616
040	01517-51095	STUD	2				0.06	0.132
050	02176-50100	NUT	4				0.005	0.011
060	04512-60100	WASHER SPRING	4				0.002	0.0044
070	66363-41310	ARM PITMAN	1				1.52	3.344
080	37410-41430	ASSY WHEEL STEERING	1	<=10227			0.04	0.088
080	66150-41450	ASSY WHEEL STEERING	1	>=10228	←		1.9	4.18
085	37410-41460	WHEEL STEERING	1				2	4.4
090	37410-41470	ASSY PAD	1	<=10227			0	0
090	67148-41470	ASSY PAD	1	>=10228	←		0.06	0.132
100	37410-41490	MARK	1	<=10227			0.005	0.011
100	67148-41490	MARK	1	>=10228	←		0.005	0.011
110	66363-41510	COVER SHAFT	1				0.06	0.132
120	04512-50120	WASHER SPRING	1				0	0
130	02174-50120	NUT	1				0.01	0.022



↔ Interchangeable; ≠ not interchangeable; ← new for old; → old for new

REF.No	Part No.	Description	Q'ty	S.No.	I/C	REMARKS	Weight (kgf)	Weight (lb)
010	66361-41102	ASSY STEERING	1				7	15.4
020	38240-16400	ASSY CASE GEAR	1				2.7	5.94
030	66361-41302	ASSY NUT BALL	1				1.16	2.552
040	38240-16530	O RING	2				0.001	0.0022
050	38240-16490	SPRING	1				0.005	0.011
060	38260-16210	BEARING BALL	1				0.06	0.132
070	38260-16210	BEARING BALL	1				0.06	0.132
080	66301-41110	SHAFT SECTOR	1				0.9	1.98
090	66361-41202	COMP.COLUMN STEERING	1				1	2.2
100	38240-16410	COVER SIDE	1				0.475	1.045
110	66301-89010	ASSY BUSH	1				0	0
110	66416-89300	ASSY BUSH	1		←	SERVICE PARTS	0.05	0.11
120	09500-26387	SEAL OIL	1				0.008	0.0176
130	38430-16490	WASHER SEAL	1				0.015	0.033
140	38240-16320	O RING	1				0.002	0.0044
150	38240-16420	GASKET	1				0.001	0.0022
160	32130-16480	SCREW ADJUSTING	1				0.025	0.055
170	34150-16440	COLLAR ADJUSTING	1			1.515 TO 1.535MM	0.002	0.0044
170	34150-16450	COLLAR ADJUSTING	1			1.545 TO 1.565MM	0.002	0.0044
170	34150-16460	COLLAR ADJUSTING	1			1.575 TO 1.595MM	0.002	0.0044
170	34150-16470	COLLAR ADJUSTING	1			1.605 TO 1.625MM	0.002	0.0044
170	34150-16480	COLLAR ADJUSTING	1			1.635 TO 1.655MM	0.002	0.0044
180	01153-50822	BOLT	3				0.011	0.0242
190	02116-50100	NUT	1				0.004	0.0088
200	02172-50200	NUT	1				0.03	0.066
210	38240-16630	NUT	1				0.035	0.077
220	04512-60080	WASHER SPRING	3				0.002	0.0044
230	04512-60200	WASHER SPRING	1				0.02	0.044
240	89910-13022	PLUG	1				0.013	0.0286
250	05411-00520	PIN SPRING	1				0.002	0.0044
260	35350-66820	RIVET	1				0.003	0.0066

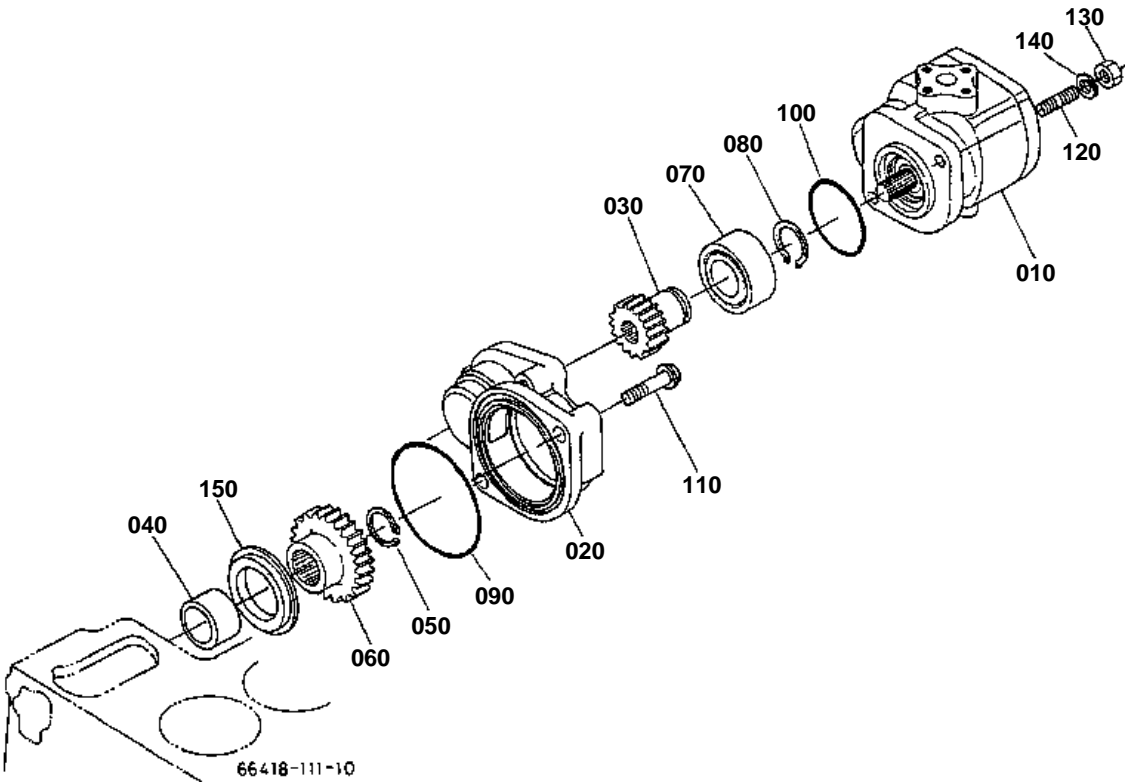


66418-079-10

↔ Interchangeable; ≠ not interchangeable; ← new for old; → old for new

REF.No	Part No.	Description	Q'ty	S.No.	I/C	REMARKS	Weight (kgf)	Weight (lb)
010	66363-41103	ASSY STEERING POWER	1	<=10271			0	0
010	66363-41104	ASSY STEERING POWER	1	>=10272	←		14	30.8
020	66363-41010	ASSY BOX GEAR	1				5.2	11.44
030	66363-41120	BEARING NEEDLE	1				0.11	0.242
040	66363-41130	GASKET	1				0.01	0.022
050	66363-41140	SEAL OIL	1				0.02	0.044
060	35270-16160	RING	1				0.002	0.0044
070	04811-10300	O RING	1				0.001	0.0022
080	35270-16200	ASSY NUT BALL	1				2.36	5.192
090	31351-66280	RING	1				0.002	0.0044
100	04811-50500	O RING	1				0	0
110	35270-16300	ASSY COVER FRONT	1				0.3	0.66
120	35270-16320	BEARING NEEDLE	1				0.02	0.044
130	35270-16160	RING	1				0.002	0.0044
140	04811-10300	O RING	1				0.001	0.0022
150	35270-16340	O RING	1				0.003	0.0066
160	35270-16400	ASSY COVER SIDE	1				0.75	1.65
170	35270-16420	BEARING NEEDLE	1				0.045	0.099
180	04811-50600	O RING	1				0.002	0.0044
190	66363-41023	ASSY COLUMN STEERING	1				0.4	0.88
200	66363-41160	BUSH	1				0.04	0.088
210	66363-41030	ASSY VALVE	1				2	4.4
220	38430-66790	PLUG	2				0.003	0.0066
230	38430-66330	PISTON	4				0.005	0.011
240	38430-66350	SPRING	2				0.003	0.0066
250	31351-66340	SPRING	2				0.02	0.044
260	31351-66360	POPPET	1				0.005	0.011
270	38430-66380	SPRING	1				0.015	0.033
280	31351-66370	SCREW ADJUSTING	1				0.047	0.1034
290	31351-66380	NUT	1				0.022	0.0484
300	31351-66390	O RING	1				0.001	0.0022
310	66363-66440	ASSY COVER REAR	1	<=10271			0	0
310	66363-66442	ASSY COVER REAR	1	>=10272	←		0.8	1.76
330	38430-66440	BEARING NEEDLE	1				0.015	0.033
340	66363-66450	SEAL OIL	1				0.01	0.022
350	04611-00320	CIR CLIP INTERNAL	1				0.002	0.0044
360	66363-41230	ASSY SHAFT SECTOR	1				1.3	2.86
370	66363-41242	COMP SHAFT STEERING	1				0.33	0.726
380	38240-16530	O RING	2				0.001	0.0022
390	05411-00518	PIN SPRING	1				0.002	0.0044
400	35350-66820	RIVET	1				0.003	0.0066
410	38240-16490	SPRING	1				0.005	0.011
420	38430-66660	BOLT	3				0.05	0.11
430	35270-16650	BOLT	4				0.02	0.044
440	35270-16700	NUT CAP	1				0.11	0.242
450	66363-41250	NUT	1				0.01	0.022
460	35270-16690	GASKET	2				0.001	0.0022
470	04512-60100	WASHER SPRING	7				0.002	0.0044
480	04811-10700	O RING	2				0.001	0.0022
490	04811-00080	O RING	2				0	0
500	38430-66650	NUT	1				0.065	0.143
510	38430-66630	RING DRIVE	2				0.06	0.132
520	38430-66610	RING DRIVE	1				0.05	0.11
530	35270-16660	RING DRIVE	1				0.01	0.022
540	38430-66640	BEARING NEEDLE	2				0.01	0.022
550	38430-66740	NUT	1				0.02	0.044
560	04611-00630	CIR CLIP INTERNAL	1				0.012	0.0264
570	38430-66720	NUT	1				0.145	0.319
580	38430-66730	WASHER SPRING	1				0.05	0.11

HYDRAULIC GEAR PUMP

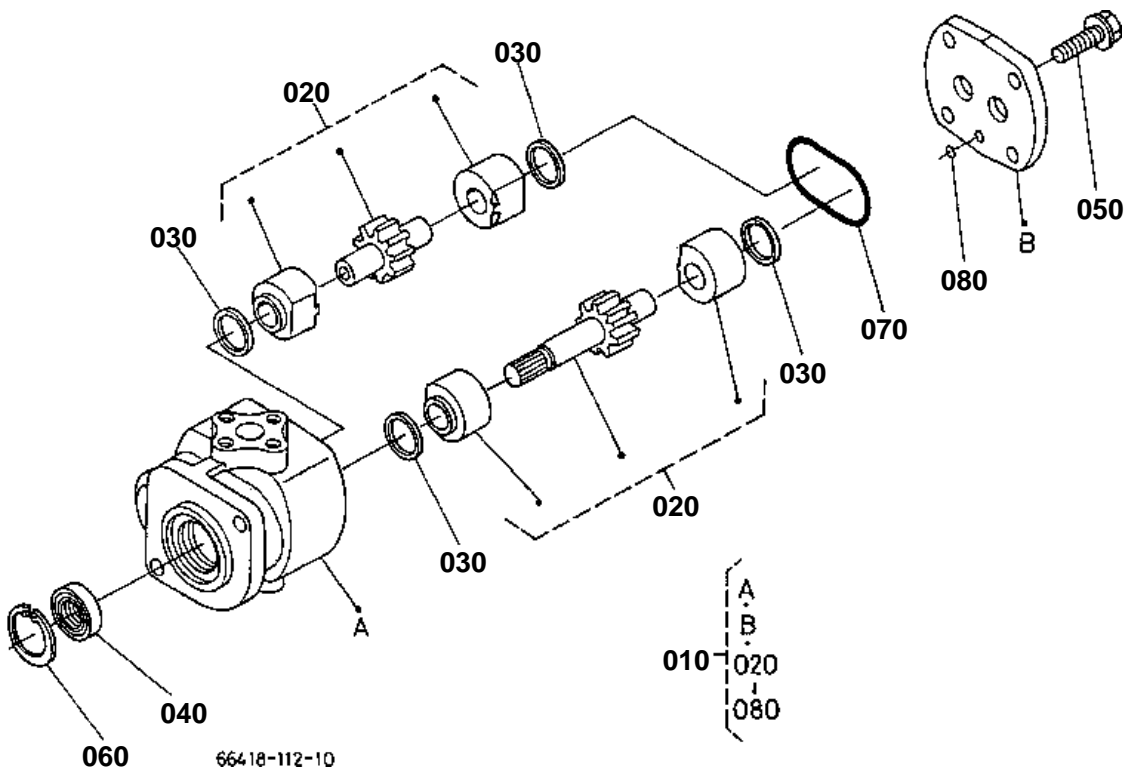




HYDRAULIC GEAR PUMP

↔ Interchangeable; ≠ not interchangeable; ← new for old; → old for new

REF.No	Part No.	Description	Q'ty	S.No.	I/C	REMARKS	Weight (kgf)	Weight (lb)
010	31391-76600	ASSY PUMP HYDRAULIC	1				1.93	4.246
020	66361-36410	HOLDER HYD.PUMP	1				1.02	2.244
030	66361-36520	GEAR	1			15T	0.1	0.22
040	66591-14320	COLLAR	1				0.018	0.0396
050	04612-00190	CIRCLIP EXTERNAL	1				0.001	0.0022
060	67810-36510	GEAR	1			29T	0.21	0.462
070	08241-05205	BEARING BALL	1				0.177	0.3894
080	04612-00250	CIRCLIP EXTERNAL	1				0.002	0.0044
090	04811-10750	O RING	1				0.001	0.0022
100	04811-10530	O RING	1				0.005	0.011
110	01754-50842	BOLT FLANGE	2				0.02	0.044
120	01513-50820	STUD	2				0	0
130	02156-50080	NUT	2				0.004	0.0088
140	04512-60080	WASHER SPRING	2				0.002	0.0044
150	67810-36480	BUSH	1				0.1	0.22

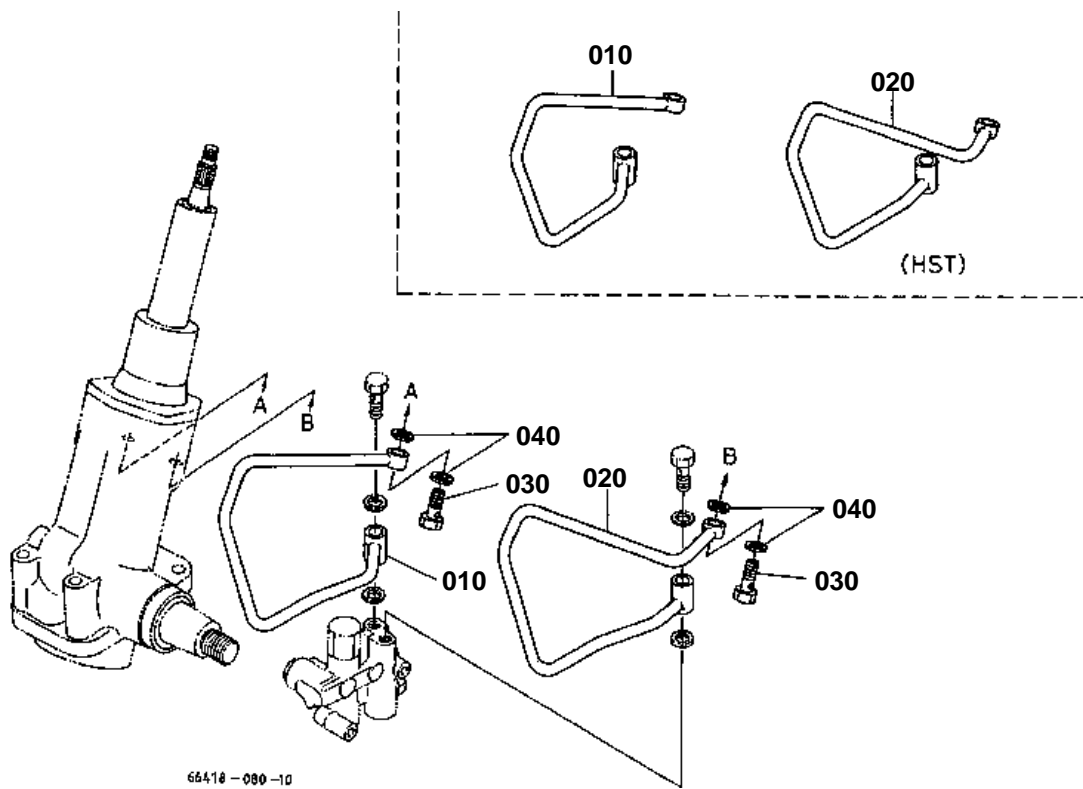




HYDRAULIC GEAR PUMP [COMPONENT PARTS]

↔ Interchangeable; ≠ not interchangeable; ← new for old; → old for new

REF.No	Part No.	Description	Q'ty	S.No.	I/C	REMARKS	Weight (kgf)	Weight (lb)
010	31391-76600	ASSY PUMP HYDRAULIC	1				1.93	4.246
020	31391-76702	COMP.GEAR HYD.PUMP	1				0.5	1.1
030	38180-76172	SQUARE RING	4				0.002	0.0044
040	31381-76390	SEAL OIL	1				0.01	0.022
050	01754-51030	BOLT FLANGE	4				0.03	0.066
060	04611-00300	CIR CLIP INTERNAL	1				0.004	0.0088
070	04810-50550	O RING	1				0.002	0.0044
080	04810-00050	O RING	1				0	0



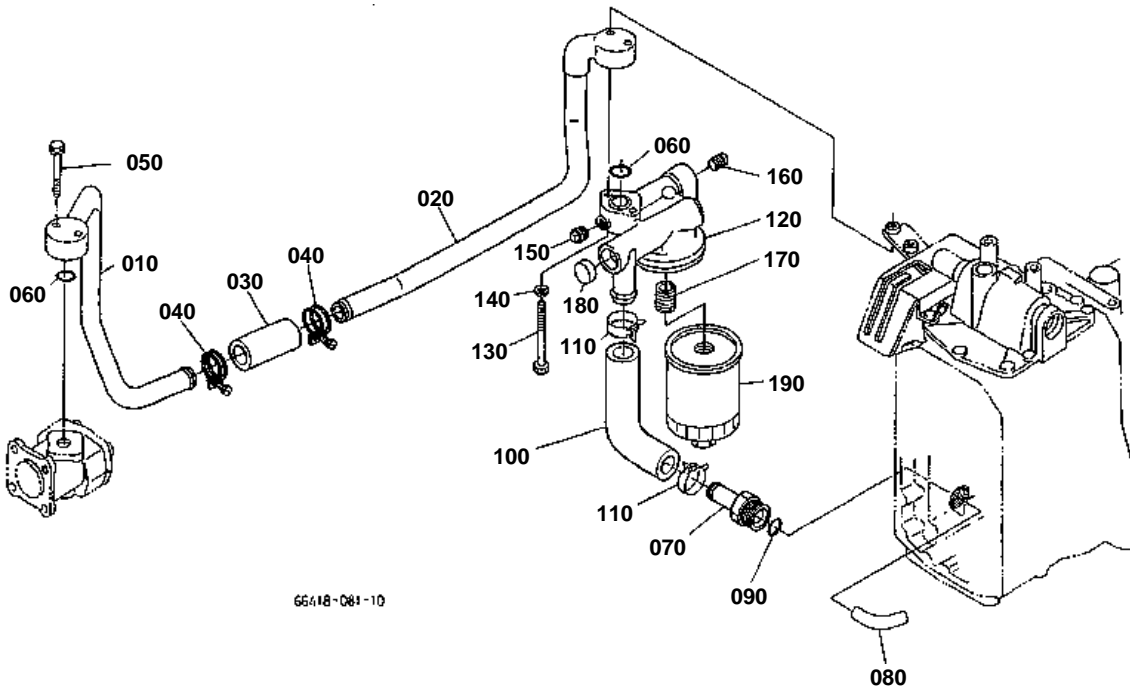


HYDRAULIC PIPE (PS)

↔ Interchangeable; ≠ not interchangeable; ← new for old; → old for new

REF.No	Part No.	Description	Q'ty	S.No.	I/C	REMARKS	Weight (kgf)	Weight (lb)
010	66418-41630	PIPE DELIVERY	1				0.16	0.352
020	66418-41640	PIPE RETURN	1				0.19	0.418
030	67810-37880	BOLT	2				0.033	0.0726
040	04724-00120	GASKET	4				0.002	0.0044

HYDRAULIC PIPE (SUCTION)



66418-081-10

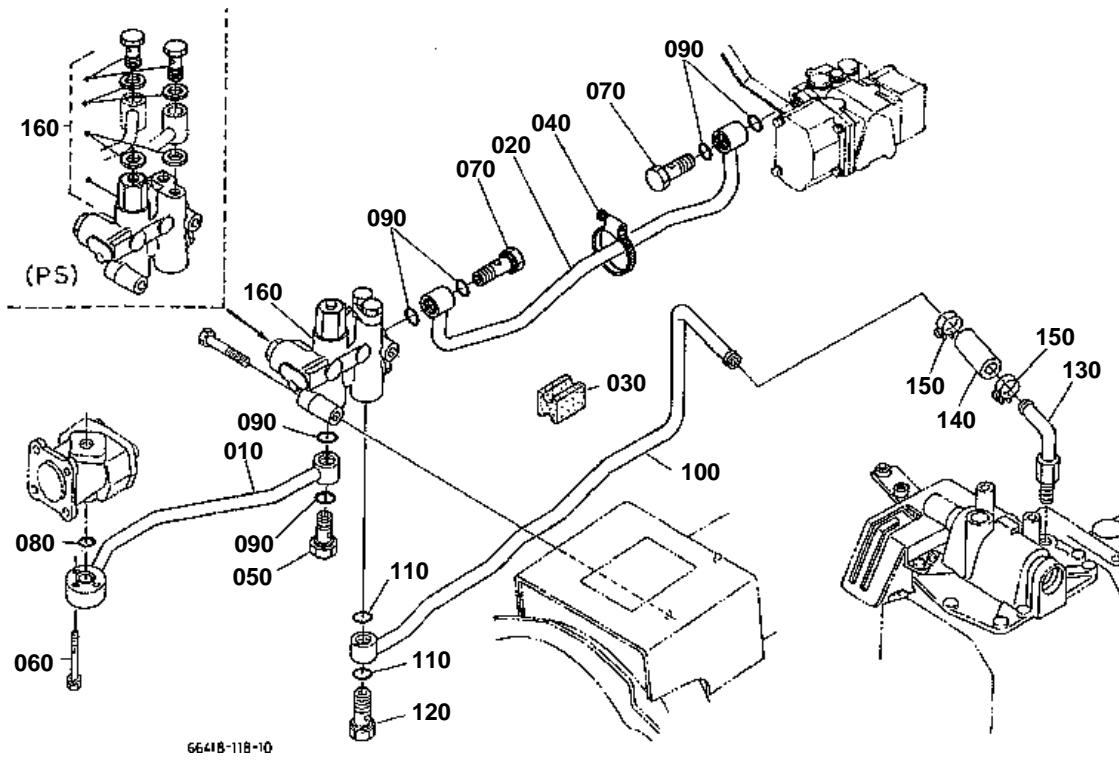


HYDRAULIC PIPE (SUCTION)

↔ Interchangeable; ≠ not interchangeable; ← new for old; → old for new

REF.No	Part No.	Description	Q'ty	S.No.	I/C	REMARKS	Weight (kgf)	Weight (lb)
010	67817-37112	PIPE SUCTION FRONT	1				0.72	1.584
020	67817-37130	PIPE SUCTION REAR	1				1.14	2.508
030	67800-37142	HOSE	1				0.06	0.132
040	09318-89036	CLAMP HOSE	2				0.025	0.055
050	01123-50845	BOLT	2				0.02	0.044
060	04811-00220	O RING	2				0	0
070	67817-37123	JOINT PIPE	1				0.24	0.528
080	67817-37180	PIPE SUCTION	1				0.08	0.176
090	67817-37190	O RING	1				0.001	0.0022
100	67817-37140	HOSE	1				0.14	0.308
110	09318-89036	CLAMP HOSE	2				0.025	0.055
120	31351-38710	BRACKET FILTER	1				0.4	0.88
130	01153-50875	BOLT	2				0.028	0.0616
140	04512-60080	WASHER SPRING	2				0.002	0.0044
150	06312-10040	PLUG	1				0.04	0.088
160	06312-10010	PLUG	2				0.007	0.0154
170	38240-37780	JOINT SCREW	1				0.03	0.066
180	31351-38720	PLUG	1				0.005	0.011
190	38430-37710	CARTRIDGE OIL FILTER	1				0.42	0.924

HYDRAULIC PIPE (DELIVERY/RETURN)



040 67111-5377-0

180 33430-8276-0



66418-808-10

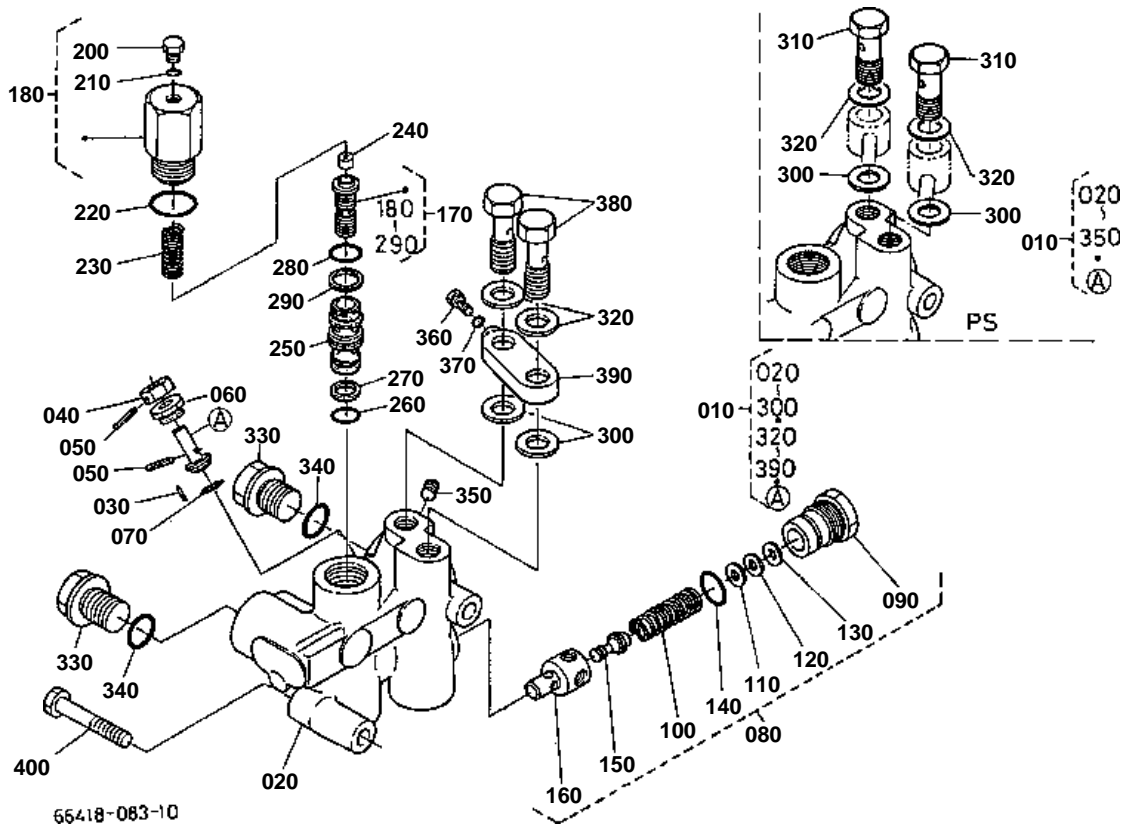


HYDRAULIC PIPE (DELIVERY/RETURN)

↔ Interchangeable; ≠ not interchangeable; ← new for old; → old for new

REF.No	Part No.	Description	Q'ty	S.No.	I/C	REMARKS	Weight (kgf)	Weight (lb)
010	67817-37150	PIPE DELIVERY	1				0.52	1.144
020	67817-37170	PIPE DELIVERY	1				0.7	1.54
030	67810-37180	CUSHION	1				0.005	0.011
040	67111-53770	BAND PIPE	1	<=10042			0.01	0.022
040	66204-36230	BAND PIPE	1	>=10043	↔		0.02	0.044
040	67955-36230	CLAMP	1	>=10228	↔		0.023	0.0506
050	67850-37160	BOLT JOINT	1				0.09	0.198
060	01123-50840	BOLT	3				0.018	0.0396
070	67850-36250	BOLT JOINT	2				0.1	0.22
080	04810-00200	O RING	1				0	0
090	04810-00200	O RING	6				0	0
100	67850-37653	PIPE RETURN	1				0.38	0.836
110	04810-00200	O RING	4				0	0
120	67850-37160	BOLT JOINT	2				0.09	0.198
130	67850-37660	PIPE RETURN	1				0.055	0.121
140	66204-36270	HOSE	1				0.038	0.0836
150	66204-36280	BAND PIPE	2	<=10227			0.02	0.044
150	67980-36250	CLAMP	2	>=10228	↔		0.021	0.0462
160	67850-38104	ASSY OUTLET HYD.	1			MANUAL STEERING	2.75	6.05
160	66363-38104	ASSY OUTLET HYD.	1			POWER STEERING	2.77	6.094
180	33430-82760	PIN BAND	1	<=10043			0.004	0.0088

HYDRAULIC BLOCK [COMPONENT PARTS]



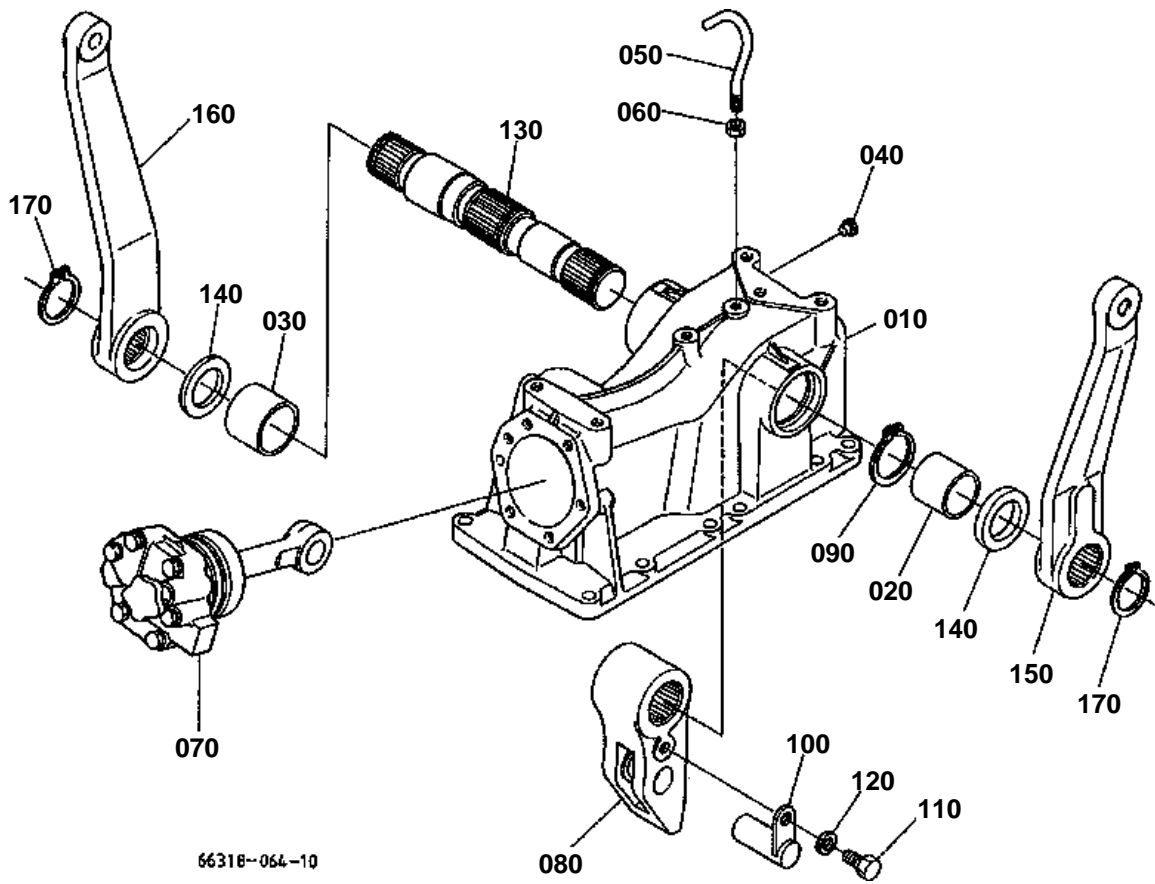


HYDRAULIC BLOCK [COMPONENT PARTS]

↔ Interchangeable; ≠ not interchangeable; ← new for old; → old for new

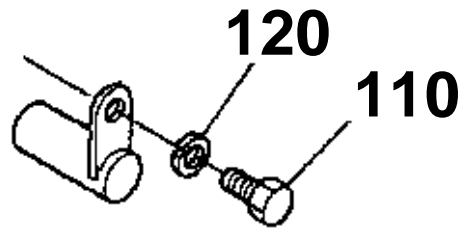
REF.No	Part No.	Description	Q'ty	S.No.	I/C	REMARKS	Weight (kgf)	Weight (lb)
010	67850-38104	ASSY OUTLET HYD.	1			MANUAL STEERING	2.75	6.05
010	66363-38104	ASSY OUTLET HYD.	1			POWER STEERING	2.77	6.094
020	67850-38114	BLOCK HYD.OUTLET	1				2.16	4.752
030	05411-00216	PIN SPRING	2				0.001	0.0022
040	67810-38160	NUT	1				0.015	0.033
050	05411-00316	PIN SPRING	2				0.001	0.0022
060	67850-38520	BOLT	1				0.01	0.022
070	04811-00090	O RING	1				0	0
080	67850-38200	ASSY VALVE RELIEF	1				0.1	0.22
090	67810-38250	PLUG	1				0.05	0.11
100	31351-37920	SPRING RELIEF	1				0.02	0.044
110	67111-37530	SHIM ADJUSTING	1			0.3MM	0.001	0.0022
120	67111-37580	SHIM ADJUSTING	1			0.8MM	0.001	0.0022
130	67810-37590	SHIM ADJUSTING	1			0.2MM	0.001	0.0022
140	04811-10160	O RING	1				0.001	0.0022
150	31351-37940	POPPET	1				0.005	0.011
160	31351-37930	SEAT RELIEF VALVE	1				0.02	0.044
170	67817-38300	ASSY DIVIDER	1				0.2	0.44
180	67817-38390	ASSY DIVIDER	1				0.142	0.3124
200	67810-38430	PLUG	1				0.005	0.011
210	04811-00050	O RING	1				0	0
220	04811-00220	O RING	1				0	0
230	67810-38320	SPRING	1				0.005	0.011
240	67810-38340	DAMPER	1				0.001	0.0022
250	67810-38350	DIVIDER	1				0.025	0.055
260	04811-05130	O RING	1				0	0
270	67810-38360	RING BACK UP	1				0.001	0.0022
280	04811-05150	O RING	1				0	0
290	67810-38370	RING BACK UP	1				0.001	0.0022
300	04714-00120	GASKET	2			MANUAL STEERING	0.001	0.0022
300	04724-00120	GASKET	2			POWER STEERING	0.002	0.0044
310	66363-37882	BOLT	2			POWER STEERING	0.04	0.088
320	04714-00120	GASKET	2			MANUAL STEERING	0.001	0.0022
320	04724-00120	GASKET	2			POWER STEERING	0.002	0.0044
330	67810-37890	PLUG	3				0.048	0.1056
340	04811-00140	O RING	2				0	0
350	67511-36640	PLUG	1				0.003	0.0066
360	67810-38430	PLUG	1			MANUAL STEERING	0.005	0.011
370	04811-00050	O RING	1			MANUAL STEERING	0	0
380	67810-37880	BOLT	2			MANUAL STEERING	0.033	0.0726
390	67810-38412	CAP	1			MANUAL STEERING	0.08	0.176
400	01153-50875	BOLT	2				0.028	0.0616

LIFT ARM



110 01153-51018

120 04512-50100



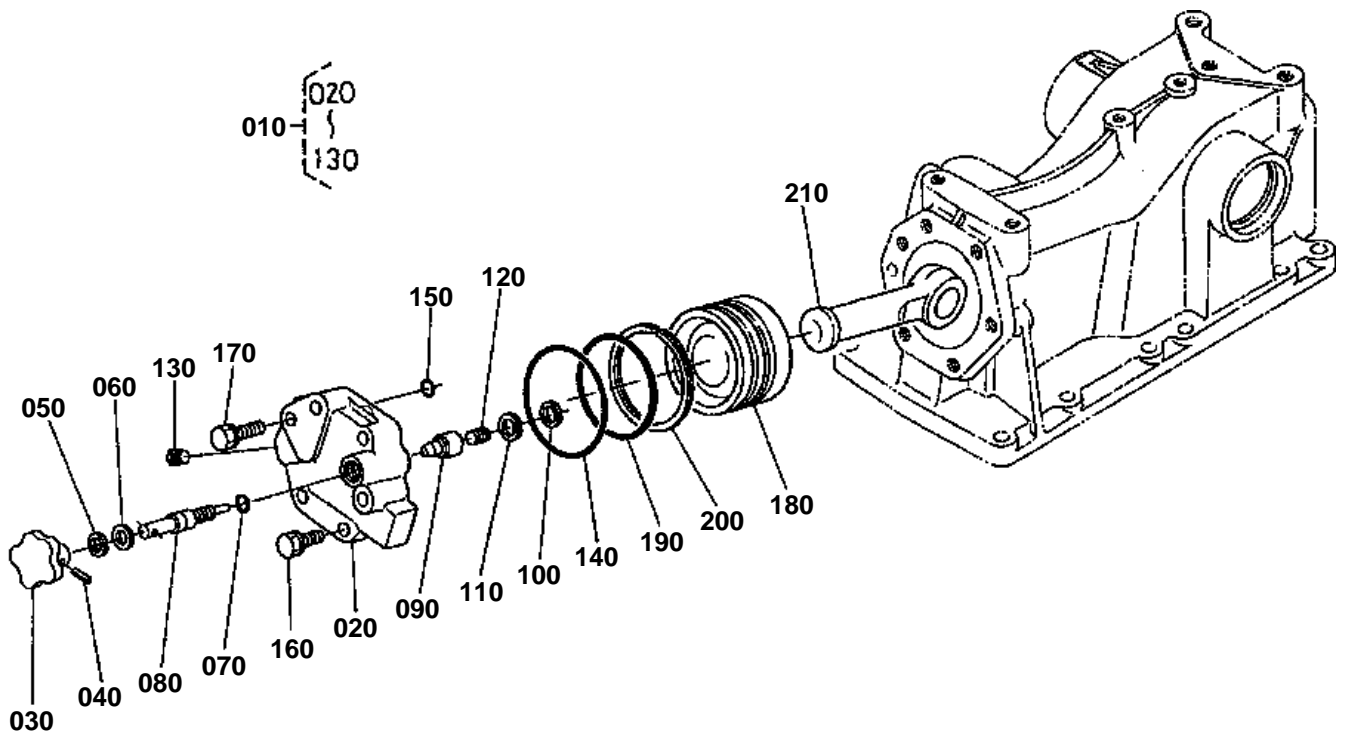
66418-813-10



LIFT ARM

↔ Interchangeable; ≠ not interchangeable; ← new for old; → old for new

REF.No	Part No.	Description	Q'ty	S.No.	I/C	REMARKS	Weight (kgf)	Weight (lb)
010	67511-36300	COMP COVER UPPER R.	1				13.7	30.14
020	67111-36320	BUSH	1				0.065	0.143
030	67111-36330	BUSH	1				0.075	0.165
040	67211-51120	PLUG	1				0.001	0.0022
050	67800-36350	PIPE BREATHER	1				0.03	0.066
060	02114-50080	NUT	1				0.005	0.011
080	67111-36752	ARM HYDRAULIC	1				1.3	2.86
090	04612-00380	CIRCLIP EXTERNAL	1				0.005	0.011
100	34150-37340	PIN SET	1				0.18	0.396
110	01153-51018	BOLT	1	≤10227			0.015	0.033
110	01123-51018	BOLT	1	≥10228	←		0.02	0.044
120	04512-60100	WASHER SPRING	1	≤10227			0.002	0.0044
130	67800-36810	SHAFT HYD.ARM	1				2.1	4.62
140	09230-35525	SEAL OIL	2				0.008	0.0176
150	67800-36830	ARM LIFT LH	1				2.45	5.39
160	67800-36840	ARM LIFT RH	1				2.45	5.39
170	04612-00350	CIRCLIP EXTERNAL	2				0.01	0.022
180	04810-00120	O RING	2				0	0



66378-065-10

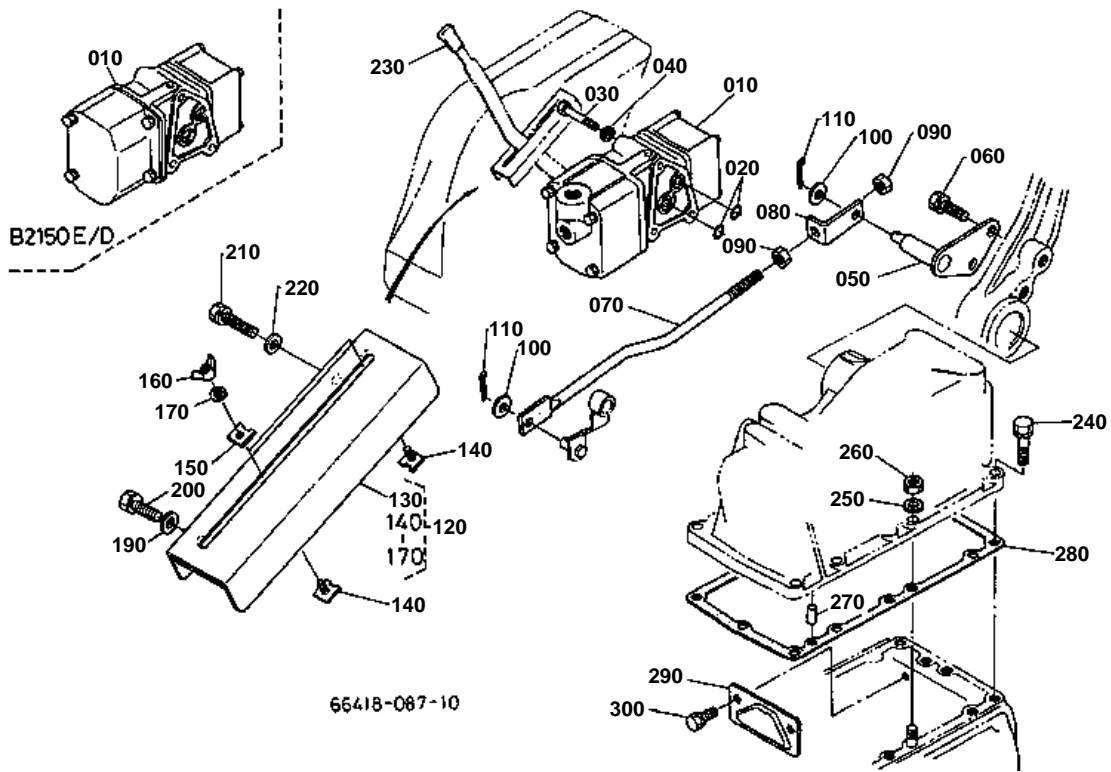


HYD.CYLINDER CAP

↔ Interchangeable; ≠ not interchangeable; ← new for old; → old for new

REF.No	Part No.	Description	Q'ty	S.No.	I/C	REMARKS	Weight (kgf)	Weight (lb)
010	67800-36600	ASSY CAP CYLINDER	1				1.88	4.136
020	67800-36620	CAP CYLINDER	1				1.86	4.092
030	34150-37230	GRIP	1				0.04	0.088
040	05411-00418	PIN SPRING	1				0.001	0.0022
050	34150-37260	CIR CLIP INTERNAL	1				0.001	0.0022
060	04012-50080	WASHER PLAIN	1				0.001	0.0022
070	04811-00100	O RING	1				0	0
080	67800-37220	SHAFT HYD.ADJUST	1				0.04	0.088
090	38240-37250	COLLAR ADJUSTING	1				0.01	0.022
100	04611-00160	CIR CLIP INTERNAL	1				0.001	0.0022
110	67511-36680	WASHER	1				0.002	0.0044
120	67511-36690	SPRING	1				0.001	0.0022
130	67511-36640	PLUG	2				0.003	0.0066
140	04811-50650	O RING	1				0.002	0.0044
150	04811-00080	O RING	1	≤10227			0	0
150	04810-05110	O RING	1	≥10228	≠		0.001	0.0022
160	01123-51030	BOLT	2				0.025	0.055
170	01123-51050	BOLT	4				0.035	0.077
180	67111-36712	PISTON HYD.	1				0.97	2.134
190	04811-00600	O RING	1				0.006	0.0132
200	67111-36720	RING BACK UP	1				0.005	0.011
210	37150-37320	ROD HYD.	1				0.427	0.9394

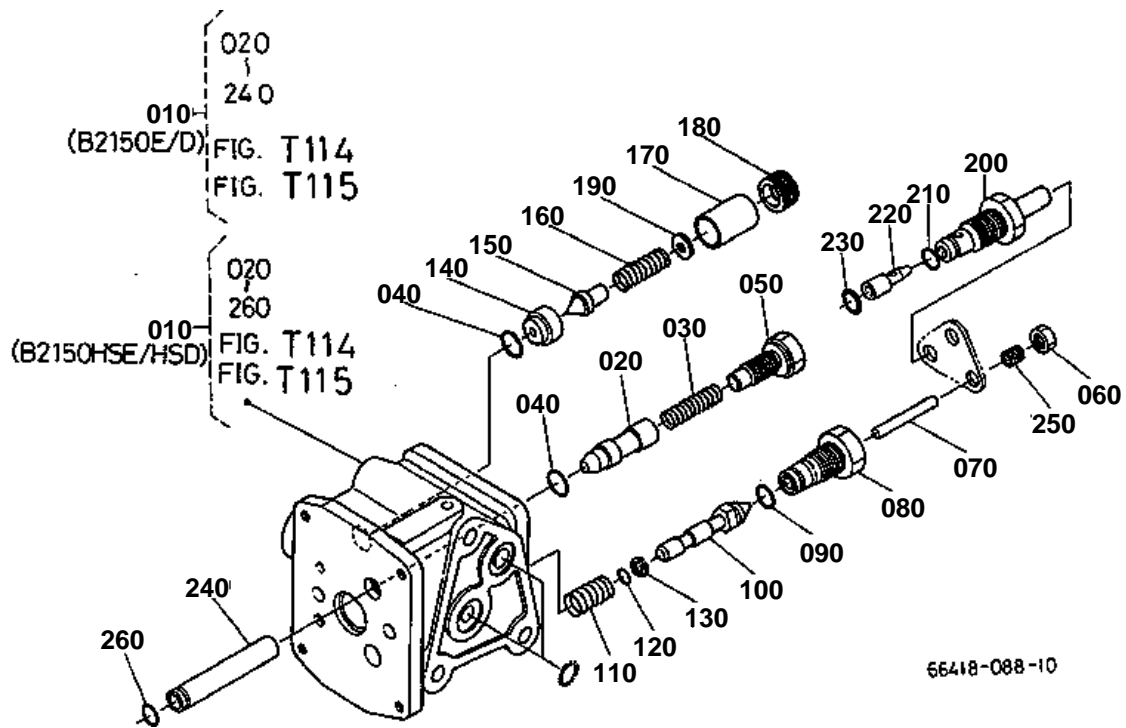
CONTROL VALVE



**CONTROL VALVE**

↔ Interchangeable; ≠ not interchangeable; ← new for old; → old for new

REF.No	Part No.	Description	Q'ty	S.No.	I/C	REMARKS	Weight (kgf)	Weight (lb)
010	67817-37200	ASSY VALVE CONTROL	1				4	8.8
020	04810-00120	O RING	2				0	0
030	01153-50895	BOLT	3				0.035	0.077
040	04512-60080	WASHER SPRING	3				0.002	0.0044
050	67401-36220	HOLDER FEED BACK	1				0.11	0.242
060	01123-60816	BOLT	2				0.01	0.022
070	67176-36953	ROD FEEDBACK	1				0.07	0.154
080	67401-36240	ROD FEEDBACK	1				0.025	0.055
090	02112-50080	NUT	2				0.003	0.0066
100	04012-50080	WASHER PLAIN	2				0.001	0.0022
110	05511-50218	PIN SPLIT	2				0.001	0.0022
120	66361-38802	ASSY GUIDE LEVER	1				0.05	0.11
130	66361-38810	GUIDE LEVER	1	<=10227			0	0
130	66361-38813	GUIDE LEVER	1	>=10228	←		0.3	0.66
140	67531-38830	STOPPER	2				0.01	0.022
150	67531-38840	STOPPER	2				0.005	0.011
160	02810-50060	NUT WING	2				0.009	0.0198
170	04512-60060	WASHER SPRING	2				0.001	0.0022
190	32436-29400	COLLAR	1	<=10227			0.009	0.0198
190	35999-02550	COLLAR	1	>=10228	↔		0.01	0.022
200	01123-50818	BOLT	1				0.012	0.0264
210	01123-50830	BOLT	1				0.015	0.033
220	04013-50080	WASHER PLAIN	2				0	0
230	34350-36890	GRIP LEVER	1				0.016	0.0352
240	01123-51035	BOLT	11				0.025	0.055
250	04512-60100	WASHER SPRING	2				0.002	0.0044
260	02118-50100	NUT	2				0.005	0.011
270	05012-00818	PIN STRAIGHT	2				0.013	0.0286
280	66385-36220	GASKET	1				0	0
290	67111-36910	PLATE HYD.ARM	1				0.22	0.484
300	01123-50822	BOLT	2	<=10004			0.012	0.0264
300	67211-36610	BOLT	2	>=10005	≠		0.015	0.033

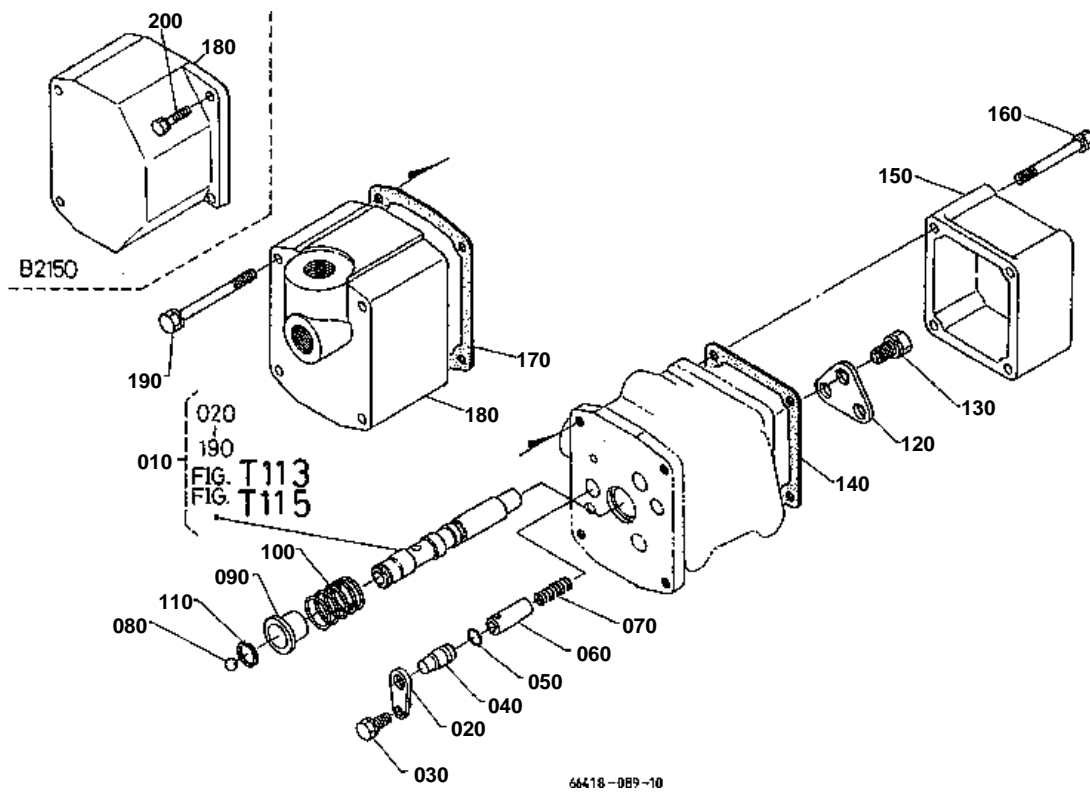


**CONTROL VALVE1 [COMPONENT PARTS]**

↔ Interchangeable; ≠ not interchangeable; ← new for old; → old for new

REF.No	Part No.	Description	Q'ty	S.No.	I/C	REMARKS	Weight (kgf)	Weight (lb)
010	67817-37200	ASSY VALVE CONTROL	1				4	8.8
020	67156-36520	POPPET	1				0.022	0.0484
030	67156-36530	SPRING	1				0.005	0.011
040	04811-00120	O RING	2				0	0
050	67156-36540	PLUG	1				0.039	0.0858
060	02014-50060	NUT	1				0.002	0.0044
070	67156-36550	RETAINER ROD	1				0.001	0.0022
080	67156-36560	PLUG	1				0.001	0.0022
090	04811-06100	O RING	1				0	0
100	67156-36570	POPPET	1				0.022	0.0484
110	67156-36580	SPRING	1				0.008	0.0176
120	04811-00050	O RING	1				0	0
130	67156-36590	RING BACK UP	1				0.001	0.0022
140	67156-36610	SEAT VALVE	1				0.01	0.022
150	67156-36620	POPPET	1				0.002	0.0044
160	67156-36630	SPRING RELIEF	1				0.013	0.0286
170	67156-36640	COLLAR	1				0.02	0.044
180	67156-36650	SCREW ADJUSTING	1				0.015	0.033
190	67156-36660	SHIM ADJUSTING	1			0.3MM	0.001	0.0022
190	67156-36670	SHIM ADJUSTING	1			0.8MM	0.002	0.0044
190	67156-36680	SHIM ADJUSTING	1			0.2MM	0.001	0.0022
200	67156-36690	PLUG	1				0.055	0.121
210	04810-00090	O RING	1				0	0
220	67156-36710	POPPET	1				0.015	0.033
230	04811-00110	O RING	1				0	0
250	03450-00616	SCREW SET	1				0	0

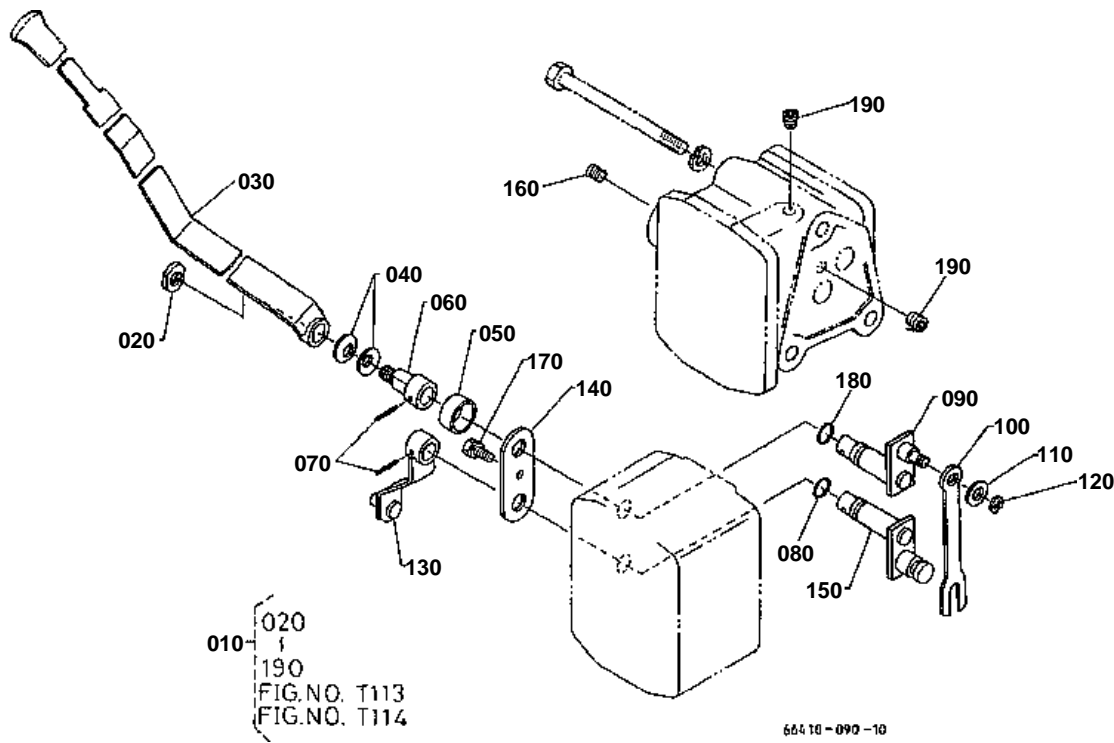
CONTROL VALVE2 [COMPONENT PARTS]



**CONTROL VALVE2 [COMPONENT PARTS]**

↔ Interchangeable; ≠ not interchangeable; ← new for old; → old for new

REF.No	Part No.	Description	Q'ty	S.No.	I/C	REMARKS	Weight (kgf)	Weight (lb)
010	67817-37200	ASSY VALVE CONTROL	1				4	8.8
020	67156-36730	PLATE	1				0.1	0.22
030	01202-50610	BOLT	1				0.004	0.0088
040	67156-36740	COVER	1				0.015	0.033
050	04811-00070	O RING	1				0	0
060	66361-36750	POPPET	1				0.02	0.044
070	67156-36760	SPRING	1				0.004	0.0088
080	07715-03211	BALL	1				0.003	0.0066
090	67156-36780	COLLAR	1				0.01	0.022
100	67156-36790	SPRING SPOOL	1				0.01	0.022
110	66361-36800	RING	1				0.001	0.0022
120	67156-36820	PLATE JOINT	1				0.036	0.0792
130	01123-50818	BOLT	1				0.012	0.0264
140	66467-36830	GASKET RELIEF COVER	1				0.001	0.0022
150	67156-36840	COVER RELIEF	1				0.15	0.33
160	01222-50650	BOLT	4				0.011	0.0242
170	66467-36850	GASKET	1				0.002	0.0044
180	67156-36862	COVER VALVE	1				0.23	0.506
190	01202-50665	BOLT	2				0.02	0.044
200	01202-50620	BOLT	2				0.007	0.0154

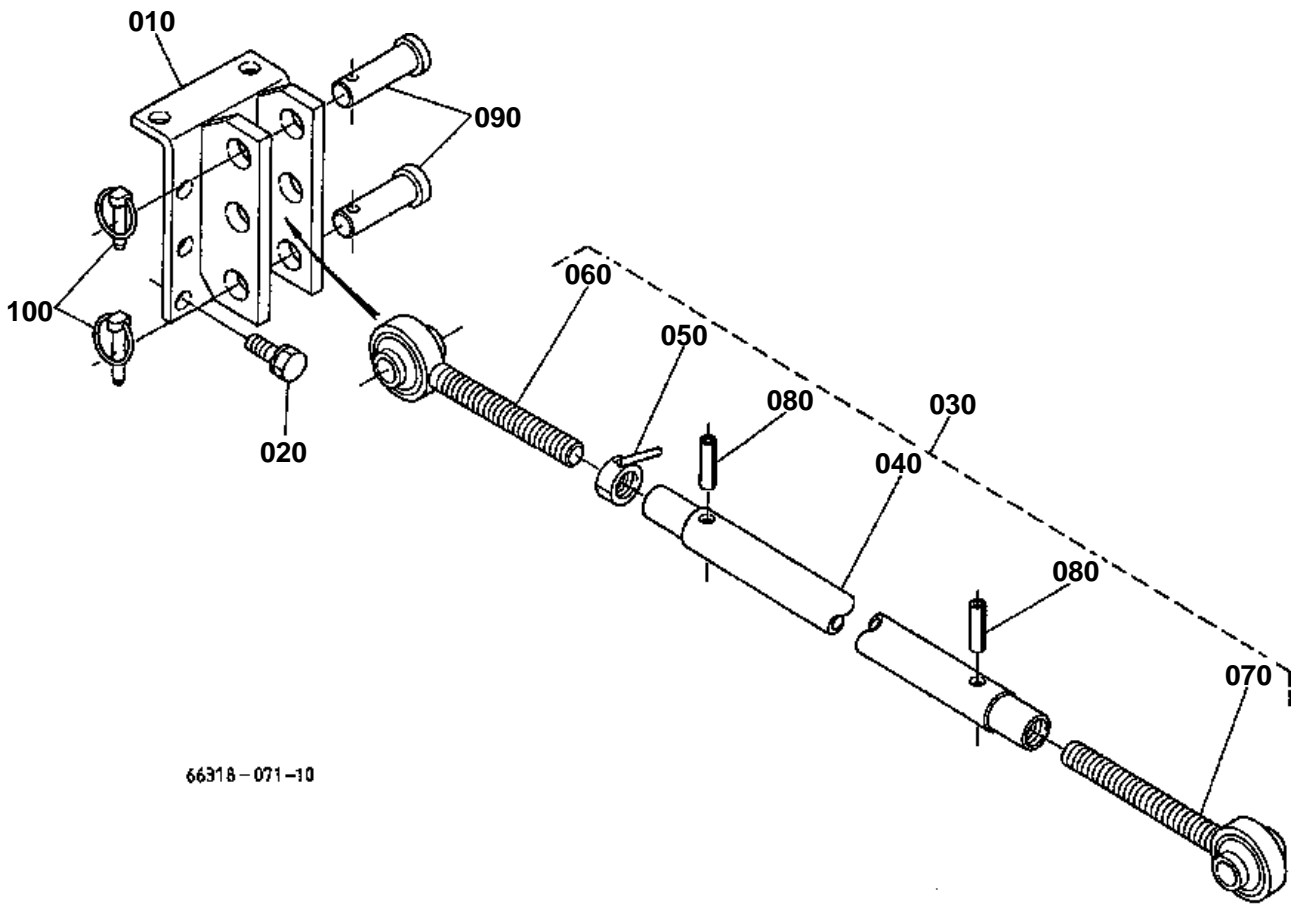


**CONTROL VALVE3 [COMPONENT PARTS]**

↔ Interchangeable; ≠ not interchangeable; ← new for old; → old for new

REF.No	Part No.	Description	Q'ty	S.No.	I/C	REMARKS	Weight (kgf)	Weight (lb)
010	67817-37200	ASSY VALVE CONTROL	1				4	8.8
020	67156-36870	U-NUT	1	<=10227			0	0
020	67950-59140	U-NUT	1	>=10228	↔		0.01	0.022
030	66361-38640	LEVER CONTROL	1	<=10092			0	0
030	66361-38643	LEVER CONTROL	1	>=10093	←		0.258	0.5676
040	67156-36890	WASHER SPRING	2				0	0
050	67156-36910	COLLAR	1				0.013	0.0286
060	67156-36920	SHAFT CONTROL ARM	1				0.02	0.044
070	05411-00515	PIN SPRING	2				0	0
080	04811-00090	O RING	1				0	0
090	67156-36932	SHAFT CONTROL LEVER	1				0.065	0.143
100	66361-36940	LEVER SPOOL DRIVE	1				0.04	0.088
110	04012-50060	WASHER PLAIN	1				0.001	0.0022
120	04613-00050	CIRCLIP EXTERNAL	1				0	0
130	67156-36952	ARM FEED BACK	1				0.06	0.132
140	67156-36960	PLATE	1	<=10227			0	0
140	67156-36962	PLATE	1	>=10228	←		0.012	0.0264
150	67156-36970	SHAFT BACK LEVER	1				0.054	0.1188
160	67156-36980	PLUG SCREW	4				0.004	0.0088
170	01202-50620	BOLT	2				0.007	0.0154
180	04811-00110	O RING	1				0	0

TOP LINK



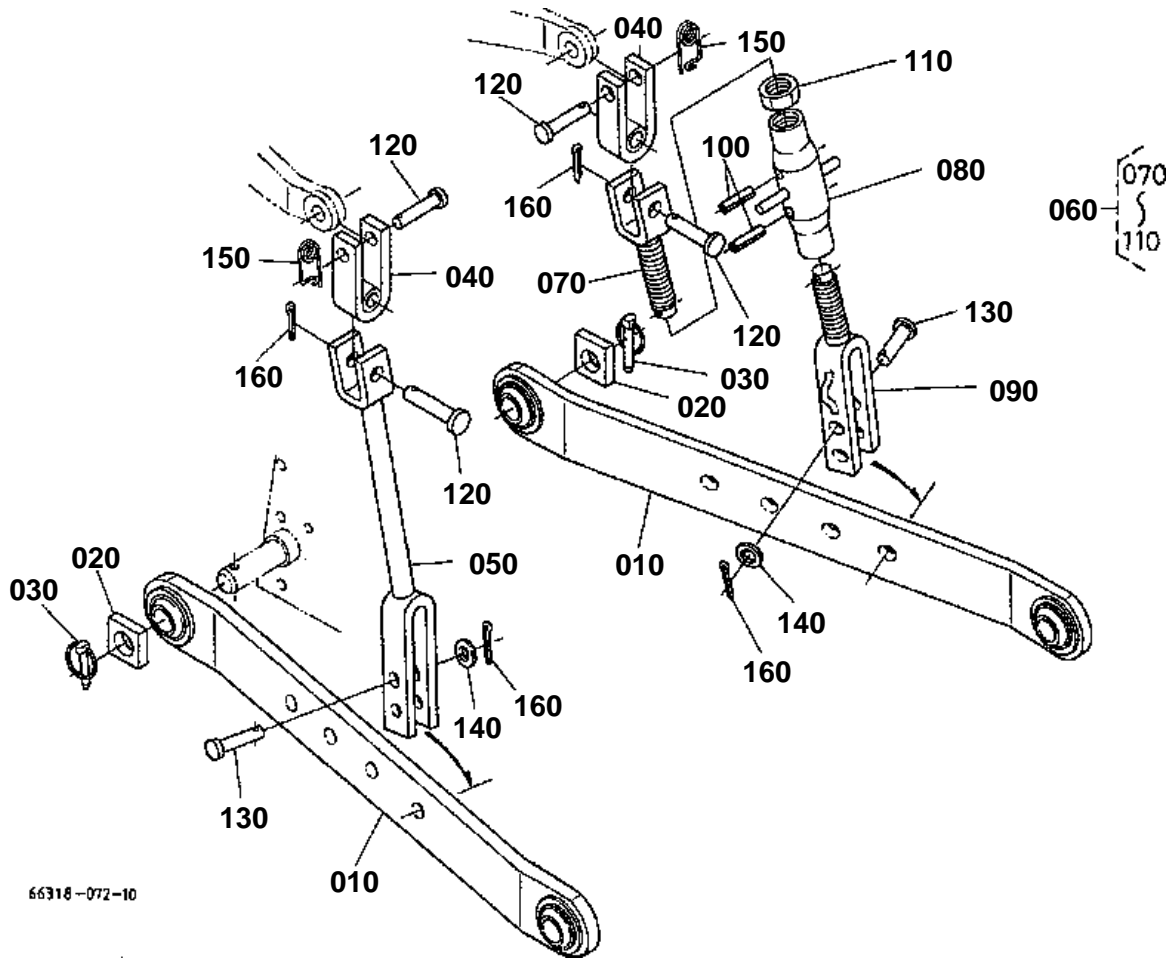
66318-071-10

**TOP LINK**

↔ Interchangeable; ≠ not interchangeable; ← new for old; → old for new

REF.No	Part No.	Description	Q'ty	S.No.	I/C	REMARKS	Weight (kgf)	Weight (lb)
010	67800-71110	BRACKET TOP LINK	1				1.65	3.63
020	01153-51025	BOLT	8				0.019	0.0418
030	67800-71600	ASSY LINK TOP	1				1.08	2.376
040	67800-71610	LINK TOP	1				1.05	2.31
050	38247-71180	NUT TOP LINK	1				0.06	0.132
060	38247-71210	JOINT TOP LINK RH	1				0.76	1.672
070	38247-71220	JOINT TOP LINK LH	1				0.8	1.76
080	05411-00422	PIN SPRING	2				0.001	0.0022
090	31150-71360	PIN JOINT	2				0.166	0.3652
100	34150-37640	PIN SET	2				0.06	0.132

LOWER LINK/LIFT ROD



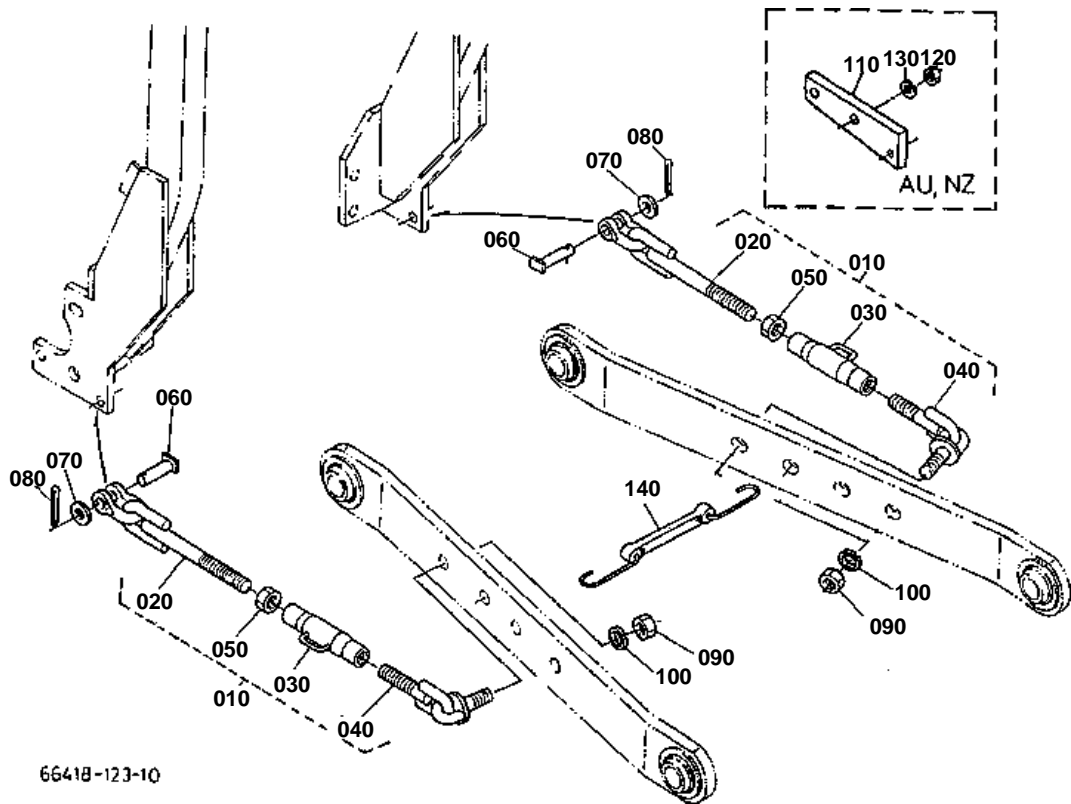


LOWER LINK/LIFT ROD

↔ Interchangeable; ≠ not interchangeable; ← new for old; → old for new

REF.No	Part No.	Description	Q'ty	S.No.	I/C	REMARKS	Weight (kgf)	Weight (lb)
010	67800-71210	LINK LOWER	2	<=10090			0	0
010	67800-71214	LINK LOWER	2	>=10091	←		5.8	12.76
020	67800-71220	SPACER	2				0.06	0.132
030	34150-37640	PIN SET	4				0.06	0.132
040	67800-71310	JOINT LIFT ROD	2				0.44	0.968
050	67800-71320	ROD LIFT LH	1				1.4	3.08
060	67800-71300	ASSY ROD LIFT RH	1				1.6	3.52
070	67800-71330	ROD LIFT UPPER	1				0.47	1.034
080	67800-71340	ROD LIFT MIDDLE	1				0.5	1.1
090	67800-71350	ROD LIFT LOWER	1				0.78	1.716
100	05411-00422	PIN SPRING	2				0.001	0.0022
110	35110-71570	NUT	1				0.05	0.11
120	05122-51455	PIN JOINT	4				0.068	0.1496
130	05122-51450	PIN JOINT	2				0.012	0.0264
140	04011-50140	WASHER PLAIN	2				0.007	0.0154
150	66713-34340	PIN SET	2				0.013	0.0286
160	05511-50425	PIN SPLIT	4				0.003	0.0066

CHECK CHAIN



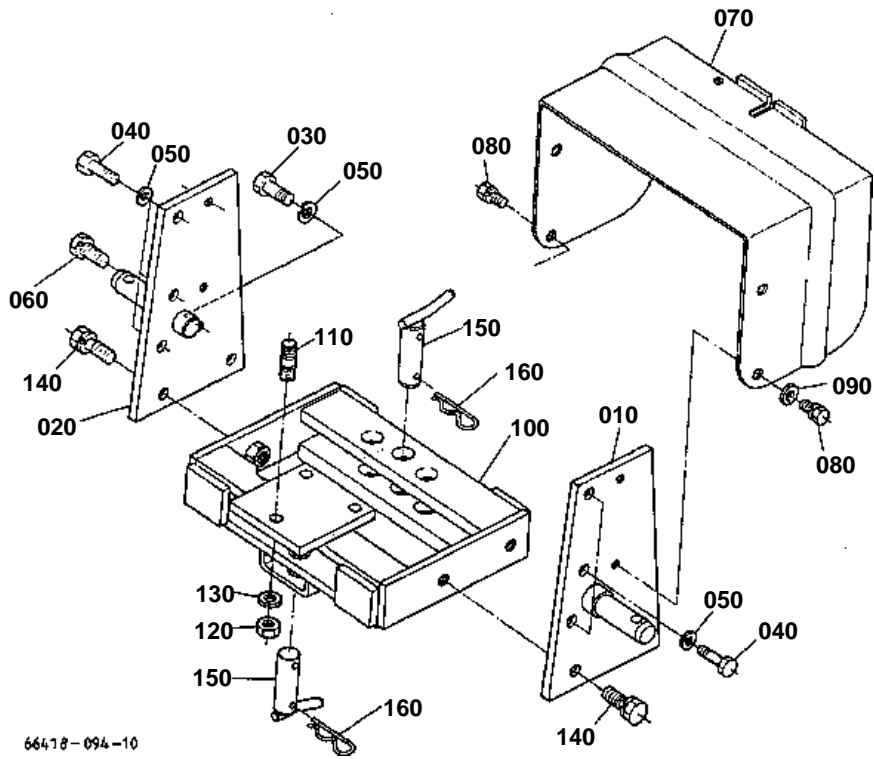


CHECK CHAIN

↔ Interchangeable; ≠ not interchangeable; ← new for old; → old for new

REF.No	Part No.	Description	Q'ty	S.No.	I/C	REMARKS	Weight (kgf)	Weight (lb)
010	67830-71500	ASSY CHAIN CHECK	2				0.7	1.54
020	67830-71510	JOINT CHAIN	2				0.22	0.484
030	99511-22840	TURNBUCKLE	2				0.19	0.418
040	67830-71820	JOINT CHAIN	2				0.275	0.605
050	02054-50140	NUT	2				0.023	0.0506
060	99571-22820	PIN	2				0.03	0.066
070	04011-50100	WASHER PLAIN	2				0.002	0.0044
080	05511-50318	PIN SPLIT	2				0.001	0.0022
090	02074-50160	NUT	2				0.029	0.0638
100	04512-60160	WASHER SPRING	2				0.01	0.022
120	02174-50120	NUT	4			[AU] [NZ]	0.01	0.022
130	04512-60140	WASHER SPRING	4			[AU] [NZ]	0.008	0.0176
140	35080-71750	COMP.RUBBER	1				0.065	0.143

HITCH



66418-094-10

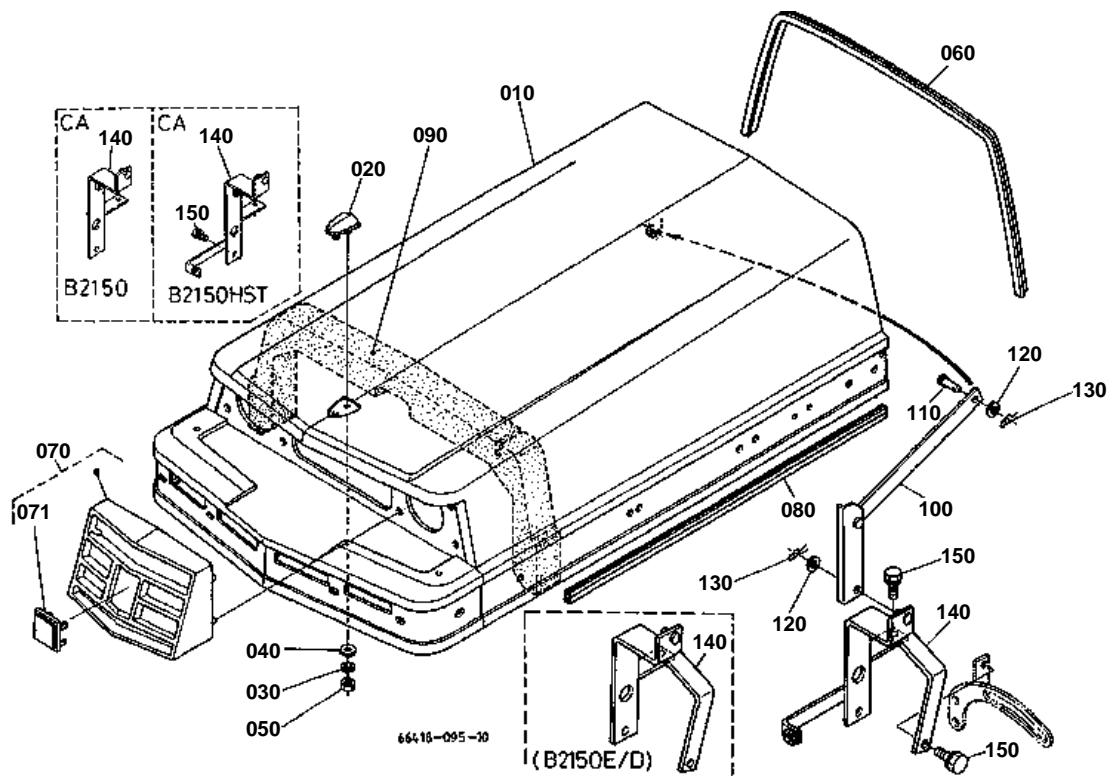


HITCH

↔ Interchangeable; ≠ not interchangeable; ← new for old; → old for new

REF.No	Part No.	Description	Q'ty	S.No.	I/C	REMARKS	Weight (kgf)	Weight (lb)
010	67800-25410	PLATE SIDE LH	1				2.18	4.796
020	67800-25420	PLATE SIDE RH	1				2.1	4.62
030	01153-51265	BOLT	2				0.065	0.143
040	01153-51275	BOLT	6				0.075	0.165
050	04512-50120	WASHER SPRING	8				0	0
060	01123-51230	BOLT	2				0.04	0.088
070	67800-25450	SHIELD PTO	1				1.8	3.96
080	01133-51016	BOLT	4				0.015	0.033
090	04013-50100	WASHER PLAIN	1				0	0
100	67800-29313	HITCH	1				5.7	12.54
110	01554-51222	STUD	3				0.03	0.066
120	02176-50120	NUT	3				0.01	0.022
130	04512-50120	WASHER SPRING	3				0	0
140	01133-51230	BOLT	4				0.04	0.088
150	67800-29320	PIN HITCH	2				0.2	0.44
160	31150-29730	PIN SPRING	2				0.044	0.0968

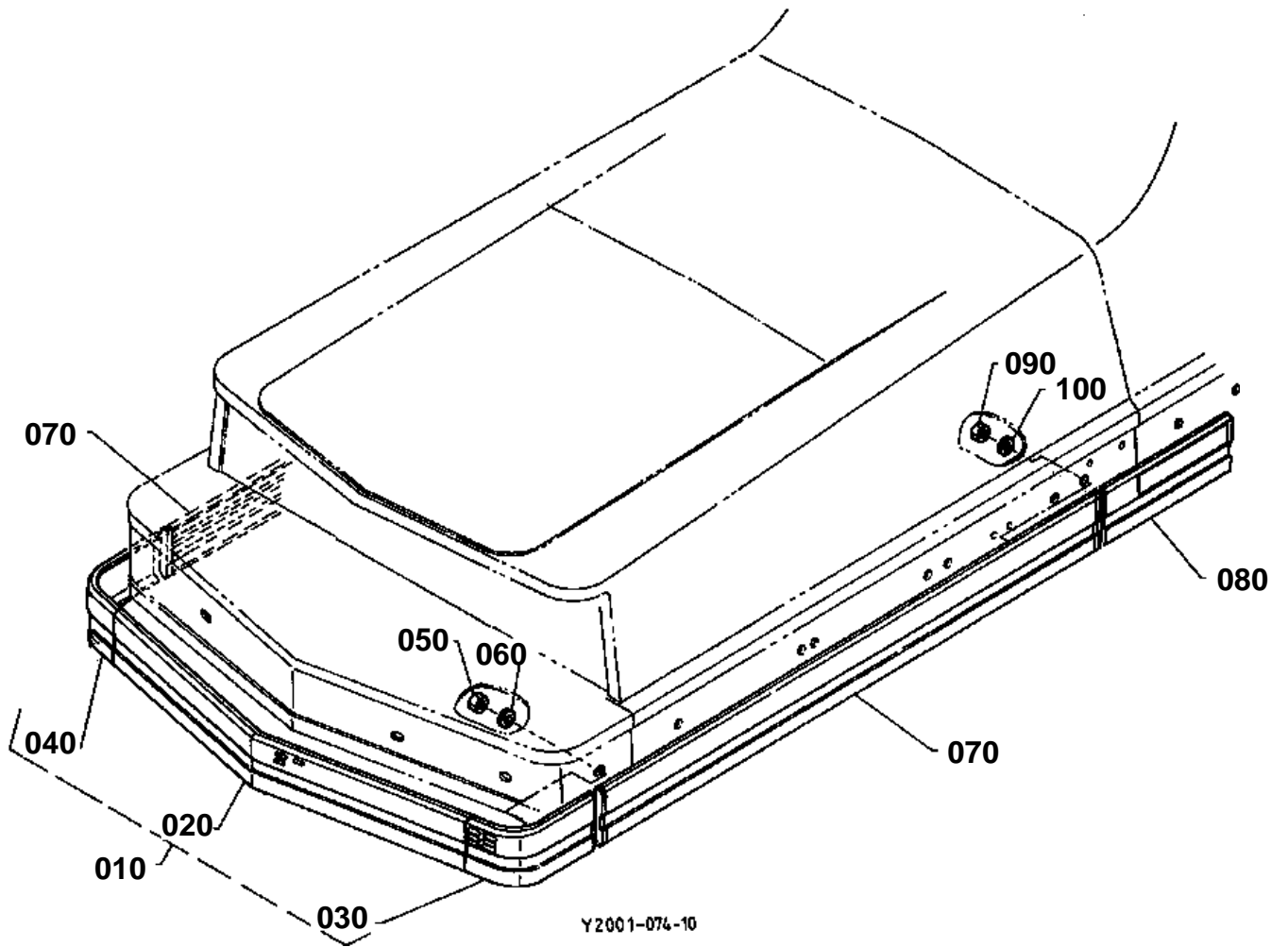
HOOD (BONNET)



**HOOD (BONNET)**

↔ Interchangeable; ≠ not interchangeable; ← new for old; → old for new

REF.No	Part No.	Description	Q'ty	S.No.	I/C	REMARKS	Weight (kgf)	Weight (lb)
010	66418-54103	COMP.BONNET	1	≤10090			0	0
010	66418-54105	COMP.BONNET	1	≥10091	≠		7.4	16.28
020	31351-65180	MASCOT	1				0.01	0.022
030	04512-50040	WASHER SPRING	1				0	0
040	04013-60040	WASHER PLAIN	1				0.002	0.0044
050	02054-50040	NUT	1				0.001	0.0022
060	66416-54110	CUSHION BONNET	1	≤10090			0.09	0.198
060	66416-54113	CUSHION BONNET	1	≥10091	≠		0.09	0.198
070	66416-54410	MASK FRONT	1	≤10227			0	0
070	66416-54412	MASK FRONT	1	≥10228	←		0.23	0.506
071	66416-47560	MARK KUBOTA	1				0.01	0.022
080	66416-54120	TRIM BONNET SIDE	2				0.06	0.132
090	66418-54140	BLOCK	1				0.035	0.077
100	66418-54240	ASSY LINK BONNET	1			[A] [AU] [NZ]	0.28	0.616
110	05122-50816	PIN JOINT	1				0.007	0.0154
120	04717-00800	WASHER WITH RUBBER	2				0.001	0.0022
130	05525-50800	PIN SNAP	2				0.001	0.0022
140	66418-53810	SUPPORT BONNET	1			[A] [AU]	0.525	1.155



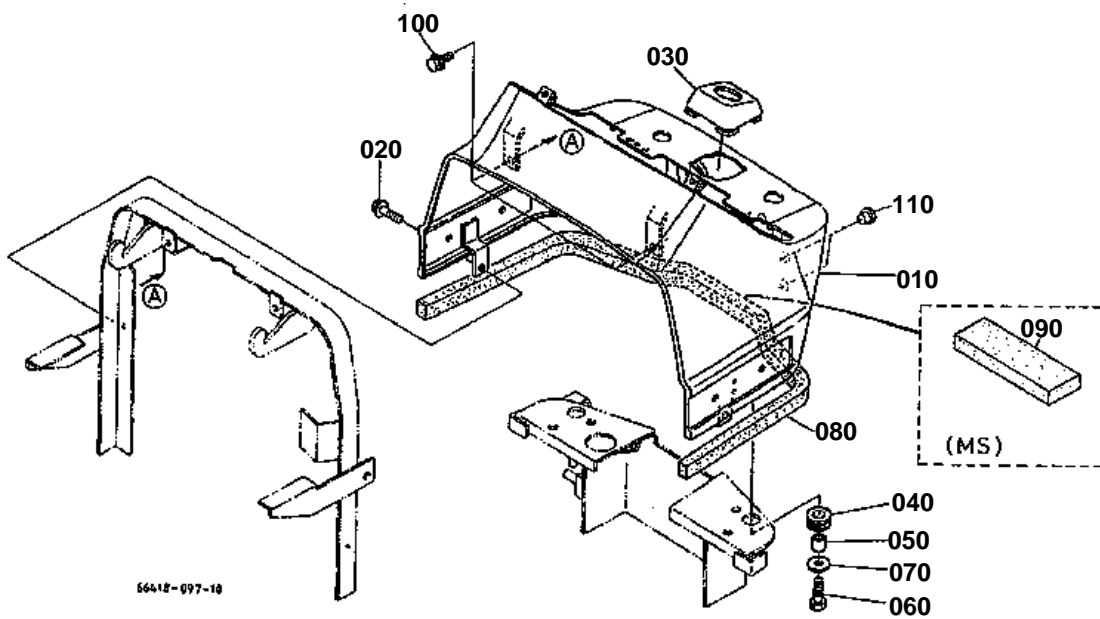


LACE

↔ Interchangeable; ≠ not interchangeable; ← new for old; → old for new

REF.No	Part No.	Description	Q'ty	S.No.	I/C	REMARKS	Weight (kgf)	Weight (lb)
010	67156-47500	ASSY LACE FRONT	1				0.1	0.22
020	67156-47510	LACE FRONT	1				0.124	0.2728
030	67156-47520	LACE FRONT LH	1				0.087	0.1914
040	67156-47530	LACE FRONT RH	1				0.088	0.1936
050	02014-50060	NUT	6				0.002	0.0044
060	04512-60060	WASHER SPRING	6				0.001	0.0022
070	66418-47550	LACE SIDE FRONT	2				0.175	0.385
080	66416-47570	LACE SIDE REAR	2				0.05	0.11
090	02014-50060	NUT	12				0.002	0.0044
100	04512-60060	WASHER SPRING	12				0.001	0.0022

HOOD (BONNET) COVER REAR



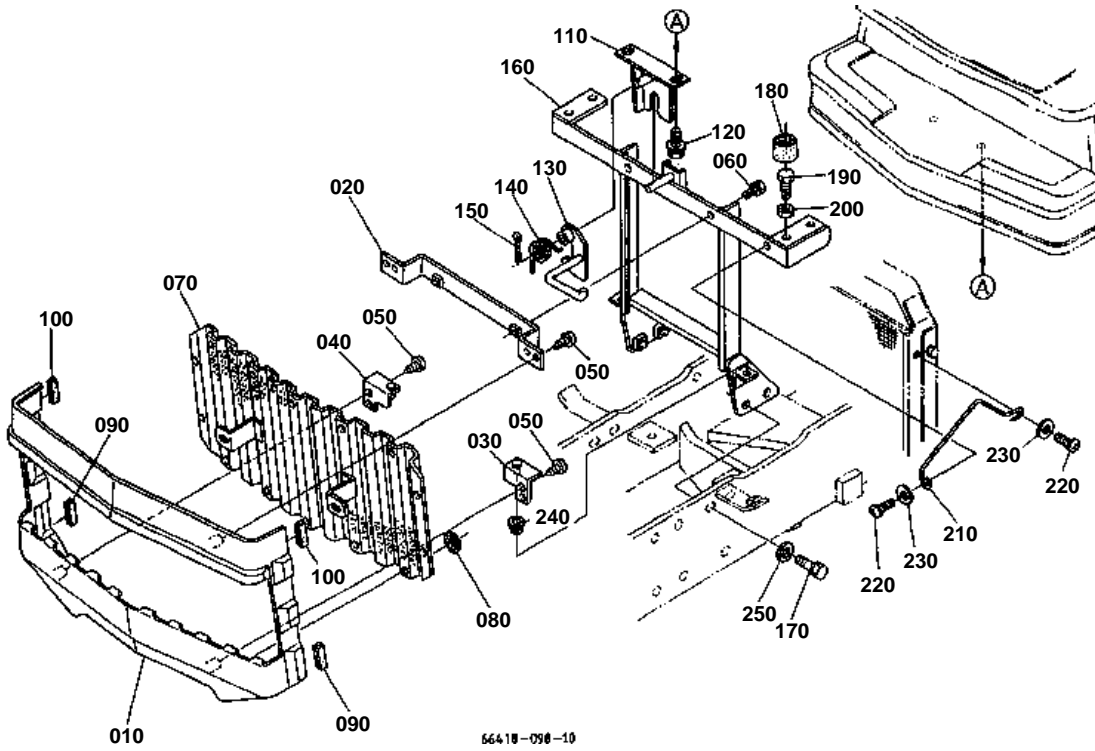


HOOD (BONNET) COVER REAR

↔ Interchangeable; ≠ not interchangeable; ← new for old; → old for new

REF.No	Part No.	Description	Q'ty	S.No.	I/C	REMARKS	Weight (kgf)	Weight (lb)
010	66416-55113	COVER BONNET REAR	1	<=10090			0	0
010	66416-55114	COVER BONNET REAR	1	>=10091	←		3.5	7.7
020	01754-50616	BOLT FLANGE	2				0.006	0.0132
030	66418-54950	CAP POST	1				0.1	0.22
040	66361-51680	CUSHION	2				0.01	0.022
050	37300-35140	SPACER	2				0.006	0.0132
060	01153-60830	BOLT	2				0.01	0.022
070	04015-60080	WASHER PLAIN	2				0.01	0.022
080	66416-54910	BLOCK DUSTPROOF	1				0.01	0.022
090	66418-51770	BLOCK DUSTPROOF	1			MANUAL STEERING	0.005	0.011
100	01754-50612	BOLT FLANGE	2				0.005	0.011
110	38240-29290	PLUG	2				0.001	0.0022

HOOD (BONNET) FRONT

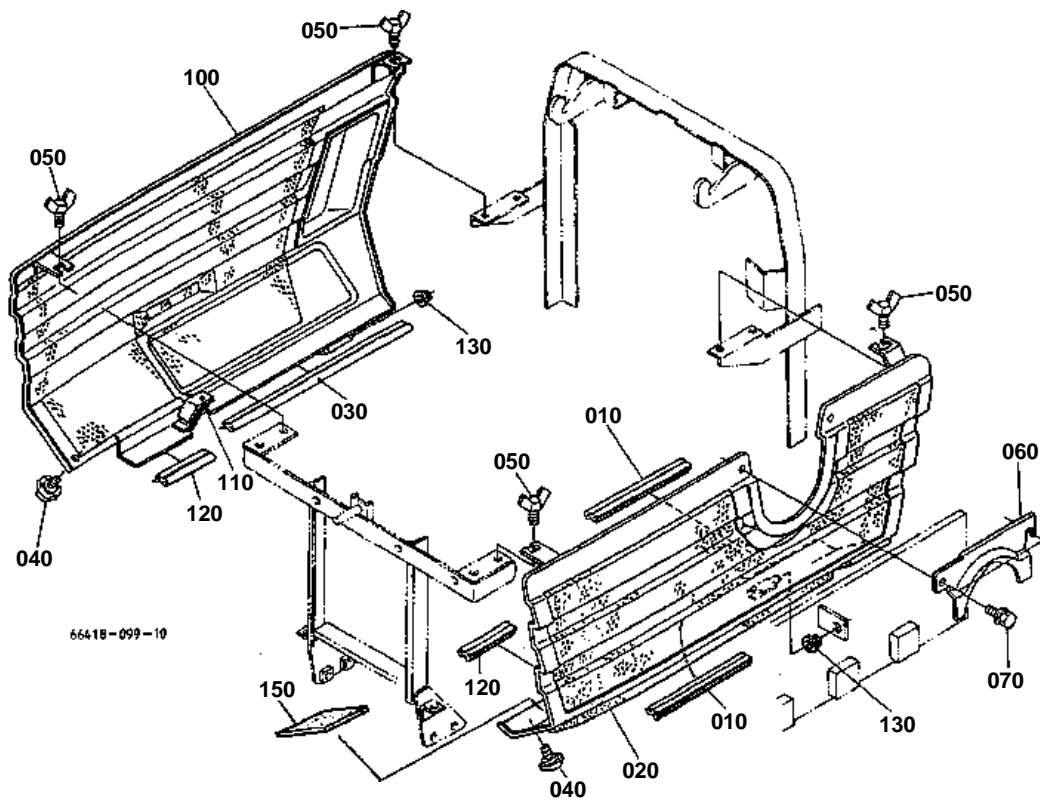


**HOOD (BONNET) FRONT**

↔ Interchangeable; ≠ not interchangeable; ← new for old; → old for new

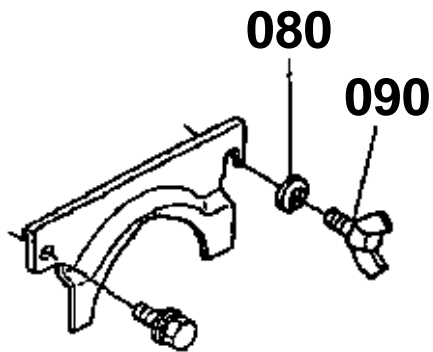
REF.No	Part No.	Description	Q'ty	S.No.	I/C	REMARKS	Weight (kgf)	Weight (lb)
010	66416-51360	COVER FRONT	1				0.31	0.682
020	66416-51410	STOPPER	1				0.14	0.308
030	66416-51420	STOPPER LH	1				0.05	0.11
040	66416-51430	STOPPER RH	1				0.05	0.11
050	03514-50612	SCREW TAPPING	8				0.002	0.0044
060	01023-50610	BOLT	2				0.005	0.011
070	66416-51370	NET DUSTPROOF FRONT	1				0.13	0.286
080	67401-51380	NUT	14				0.002	0.0044
090	37150-13920	CUSHION	2				0.005	0.011
100	37150-13920	CUSHION	2				0.005	0.011
110	66416-54210	LOCKER	1				0.18	0.396
120	01125-50820	BOLT	2				0	0
130	66416-54220	LEVER HOOK	1				0.09	0.198
140	66416-54230	SPRING	1				0.01	0.022
150	05511-50320	PIN SPLIT	1				0.002	0.0044
160	66416-54810	BRACKET BONNET	1	≤10090			0	0
160	66416-54812	BRACKET BONNET	1	≥10091	←		1.13	2.486
170	01125-51025	BOLT	4	≤10128			0.015	0.033
170	01133-51030	BOLT	4	≥10129	←		0.025	0.055
180	37410-54720	CUSHION	2				0.025	0.055
190	01153-50825	BOLT	2				0.012	0.0264
200	02112-50080	NUT	2				0.003	0.0066
210	66418-54210	SUPPORT	1				0.01	0.022
220	03004-50620	SCREW WITH WASHER	2				0.005	0.011
230	04013-60060	WASHER PLAIN	2				0.001	0.0022
240	67156-54470	CUSHION	2				0.003	0.0066
250	04013-60100	WASHER PLAIN	4				0.003	0.0066

HOOD (BONNET) SIDE



080 67401-5279-0

090 01811-50615



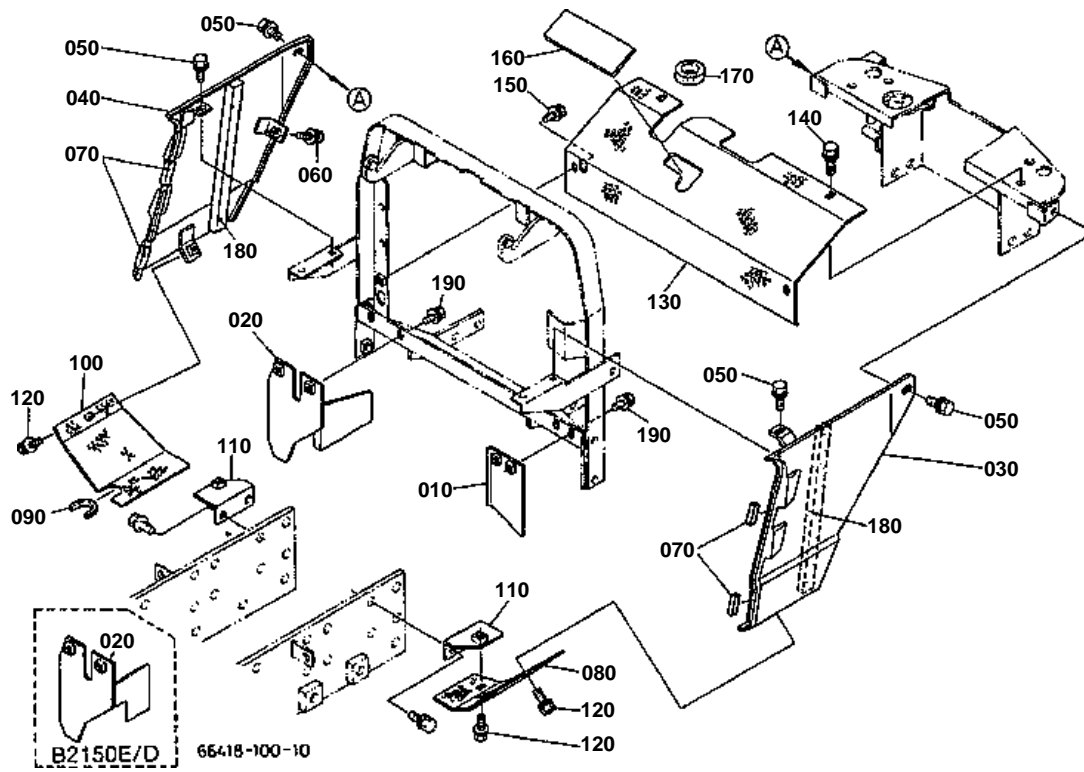
66418-809-10

**HOOD (BONNET) SIDE**

↔ Interchangeable; ≠ not interchangeable; ← new for old; → old for new

REF.No	Part No.	Description	Q'ty	S.No.	I/C	REMARKS	Weight (kgf)	Weight (lb)
010	66416-51480	TRIM SIDE COVER LH	2				0.03	0.066
020	66416-51310	COVER SIDE LH	1	<=10064			0	0
020	66416-51314	COVER SIDE LH	1	>=10065	←		0.95	2.09
030	66417-51390	TRIM COVER REAR	1				0.07	0.154
040	01820-50615	BOLT KNOB	2				0.017	0.0374
050	01811-50615	BOLT WING	4				0.015	0.033
060	66417-51455	COVER	1				0.085	0.187
070	01125-50820	BOLT	1	<=10042			0	0
070	01125-50820	BOLT	2	>=10043			0	0
080	67401-52790	SPRING PLATE	1	<=10042			0.002	0.0044
090	01811-50615	BOLT WING	1	<=10042			0.015	0.033
100	66416-51320	COVER SIDE RH	1				1.33	2.926
110	66361-58220	CUSHION	1				0.001	0.0022
120	66417-51380	TRIM COVER FRONT	2				0.015	0.033
130	67156-54470	CUSHION	2				0.003	0.0066
140	67156-54480	RUBBER KNOB	2				0.001	0.0022
150	66418-99110	RUBBER PROTECTOR	1				0.01	0.022

DUST COVER



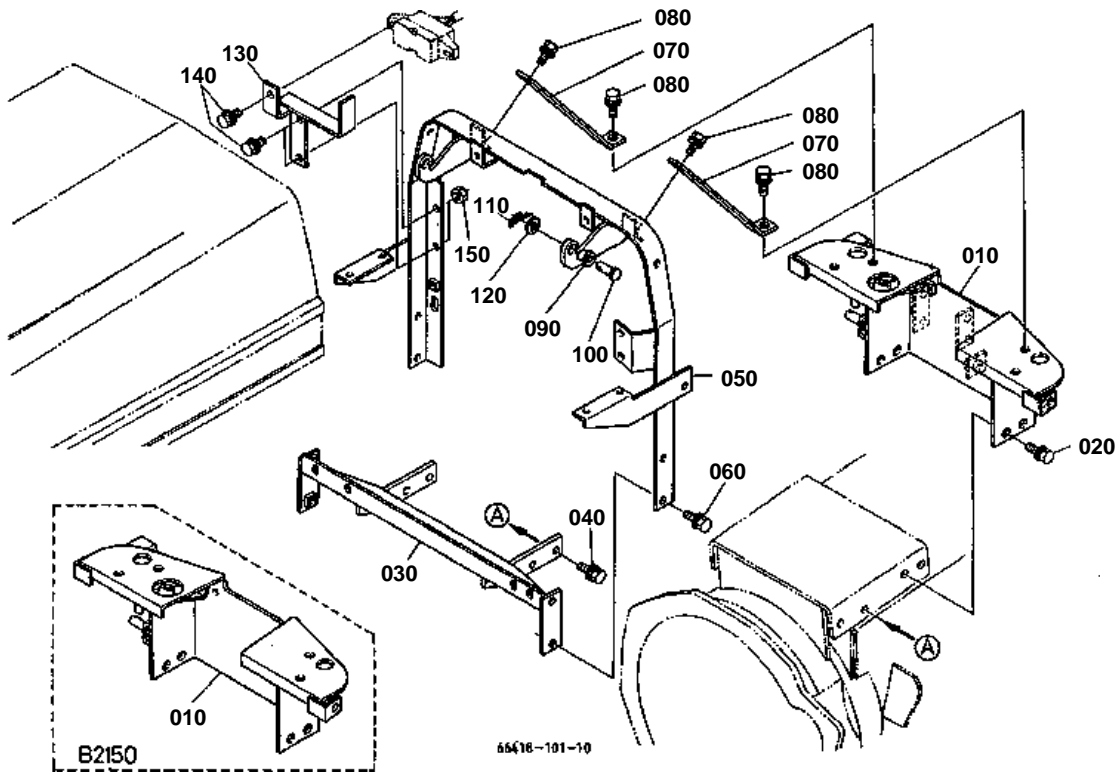


DUST COVER

↔ Interchangeable; ≠ not interchangeable; ← new for old; → old for new

REF.No	Part No.	Description	Q'ty	S.No.	I/C	REMARKS	Weight (kgf)	Weight (lb)
010	66418-54610	COVER DUSTPROOF LH	1				0.06	0.132
020	66418-54620	COVER DUST	1				0.23	0.506
030	66418-51332	AUX.COVER SIDE LH	1				0.42	0.924
040	66418-51342	AUX.COVER SIDE RH	1				0.44	0.968
050	01125-50820	BOLT	4				0	0
060	01025-50620	BOLT	2				0.02	0.044
070	37150-13920	CUSHION	4				0.005	0.011
080	66418-54580	NET DUSTPROOF LH	1				0.003	0.0066
090	66418-54650	RUBBER PROTECTOR	1				0.02	0.044
100	66418-54590	NET DUSTPROOF RH	1				0.04	0.088
110	66418-54630	STAY DUSTPROOF NET	2				0.05	0.11
120	01125-60816	BOLT	4				0.01	0.022
130	66418-54640	NET DUSTPROOF REAR	1				0.21	0.462
140	01125-60816	BOLT	2				0.01	0.022
150	01025-50616	BOLT	2				0.005	0.011
160	66418-54570	TAPE DUSTPROOF	1				0.005	0.011
170	67156-51680	RING	1				0.003	0.0066
180	67511-54730	SPONGE	2				0.001	0.0022
190	01025-50616	BOLT	4				0.005	0.011

HOOD (BONNET) SUPPORT

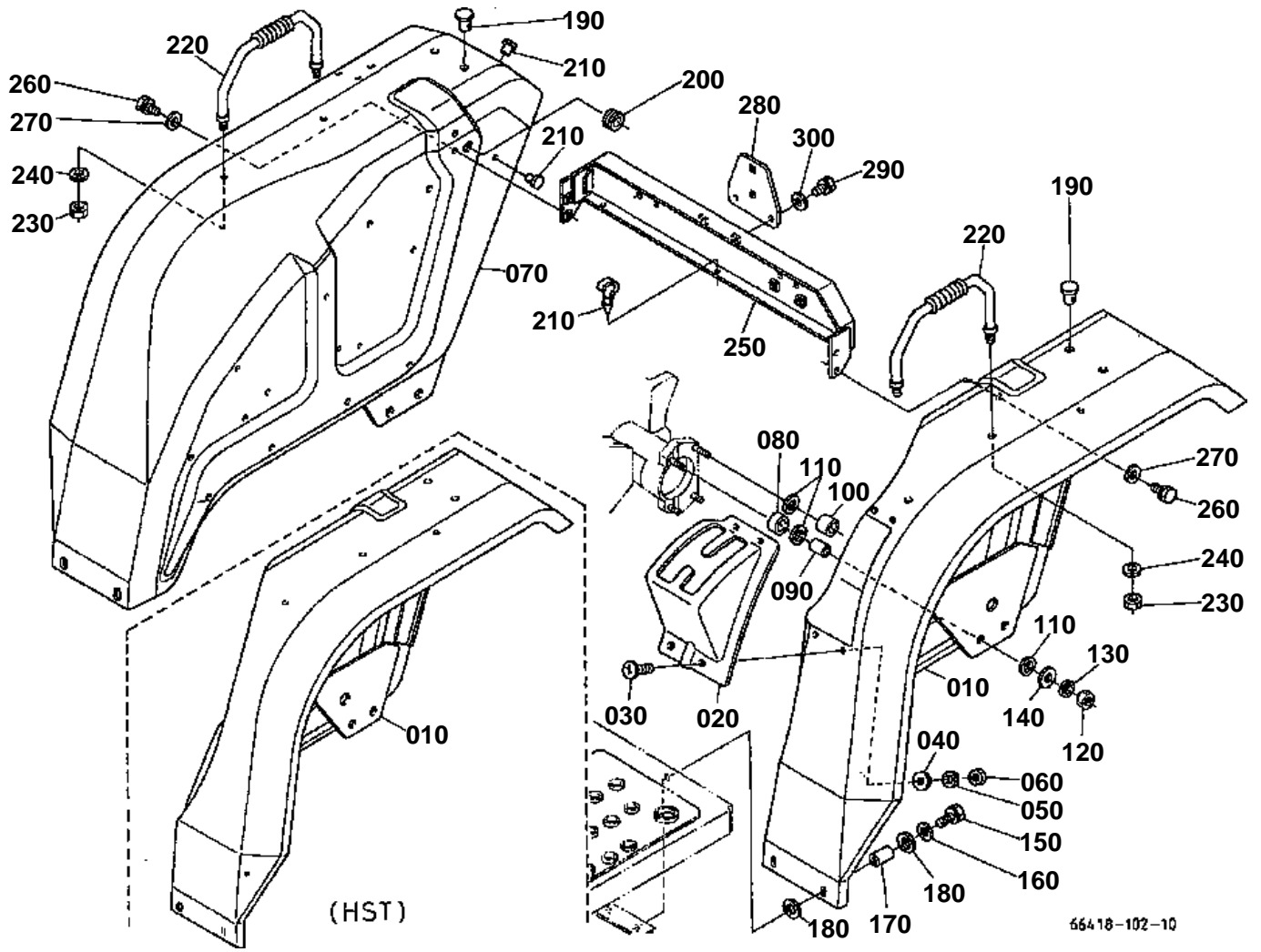




HOOD (BONNET) SUPPORT

↔ Interchangeable; ≠ not interchangeable; ← new for old; → old for new

REF.No	Part No.	Description	Q'ty	S.No.	I/C	REMARKS	Weight (kgf)	Weight (lb)
010	66418-51750	SUPPORT BONNET REAR	1				1.76	3.872
020	01133-51020	BOLT	4				0.02	0.044
030	66418-54150	SUPPORT FRAME	1				0.92	2.024
040	01125-50820	BOLT	4			W/O BI-SPEED TURN	0	0
040	01125-50820	BOLT	2			WITH BI-SPEED TURN	0	0
050	66418-54162	SUPPORT BONNET	1				2	4.4
060	01125-50820	BOLT	4				0	0
070	66418-54170	STAY BONNET SUPPORT	2				0.11	0.242
080	01125-50820	BOLT	4				0	0
090	37410-54150	BUSH	2				0.001	0.0022
100	05122-50822	PIN JOINT	2				0.01	0.022
110	05525-50800	PIN SNAP	2				0.001	0.0022
120	04013-50080	WASHER PLAIN	2	<=10092			0	0
120	04717-00800	WASHER WITH RUBBER	2	>=10093	←		0.001	0.0022
130	66468-55270	STAY FUSE BOX	1				0.16	0.352
140	01025-50616	BOLT	3				0.005	0.011
150	02014-50060	NUT	2				0.002	0.0044

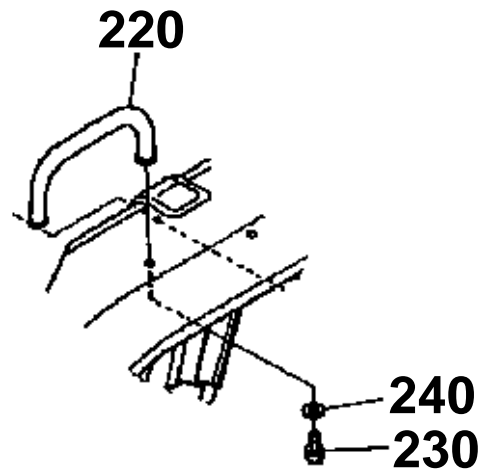


66418-102-10

220 66418-5221-0

230 01123-60816

240 04013-50080

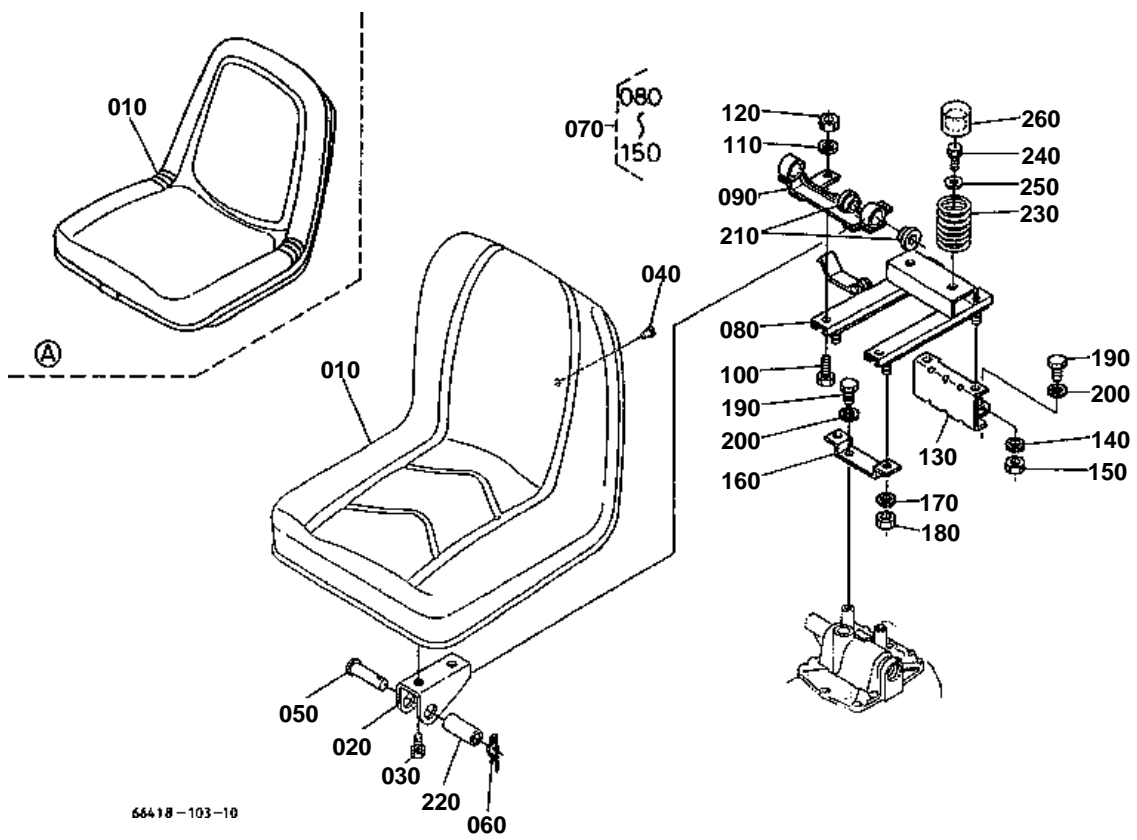


66418-810-10

**FENDER**

↔ Interchangeable; ≠ not interchangeable; ← new for old; → old for new

REF.No	Part No.	Description	Q'ty	S.No.	I/C	REMARKS	Weight (kgf)	Weight (lb)
010	66418-52310	FENDER LH	1	<=10090			7.08	15.576
010	66418-52313	FENDER LH	1	>=10091	≠		0	0
020	66418-52130	GUIDE MAIN SHIFT	1				0.72	1.584
030	03017-50816	SCREW CR-REC-BD-HD	4				0.01	0.022
040	04013-50080	WASHER PLAIN	4				0	0
050	04512-60080	WASHER SPRING	4				0.002	0.0044
060	02114-50080	NUT	4				0.005	0.011
070	66418-52290	FENDER RH	1	<=10090			8	17.6
070	66418-52292	FENDER RH	1	>=10091	≠		7.32	16.104
080	67800-52140	SPACER	2			[A] [CA]	0.045	0.099
090	67800-52150	COLLAR	2			[A] [CA]	0.021	0.0462
100	66418-52150	COLLAR	2			[A] [CA]	0.014	0.0308
110	67111-52160	CUSHION	8				0.003	0.0066
120	02174-50120	NUT	4				0.01	0.022
130	04512-50120	WASHER SPRING	4				0	0
140	04015-60120	WASHER PLAIN	4				0.022	0.0484
150	01123-50830	BOLT	4				0.015	0.033
160	04015-60080	WASHER PLAIN	4				0.01	0.022
170	37300-35140	SPACER	4				0.006	0.0132
180	67111-52160	CUSHION	8				0.003	0.0066
190	38240-29290	PLUG	4				0.001	0.0022
200	32150-29180	CAP RUBBER	2				0.002	0.0044
210	38240-29570	PLUG	9				0.001	0.0022
220	66418-52210	HANDRAIL	2	<=10090			0.19	0.418
220	34670-29440	HANDRAIL	2	>=10091	≠		0.1	0.22
230	01123-60816	BOLT	4	<=10090			0.01	0.022
230	02174-50140	NUT	4	>=10091	≠		0.014	0.0308
240	04013-50080	WASHER PLAIN	4	<=10090			0	0
240	04013-60140	WASHER PLAIN	4	>=10091	≠		0.01	0.022
250	66418-52250	STAY FENDER	1	<=10194			0	0
250	66418-52253	STAY FENDER	1	>=10195	←		1.4	3.08
260	01123-60816	BOLT	4				0.01	0.022
270	04013-50080	WASHER PLAIN	4				0	0
280	66418-54970	BRACKET SMV	1				0.198	0.4356
290	01023-50616	BOLT	2				0.005	0.011
300	04013-60060	WASHER PLAIN	2				0.001	0.0022
310	66361-51180	CLAMP CORD	3	<=10194			0.001	0.0022
310	38240-12310	CLAMP CORD	3	>=10195	←		0.005	0.011

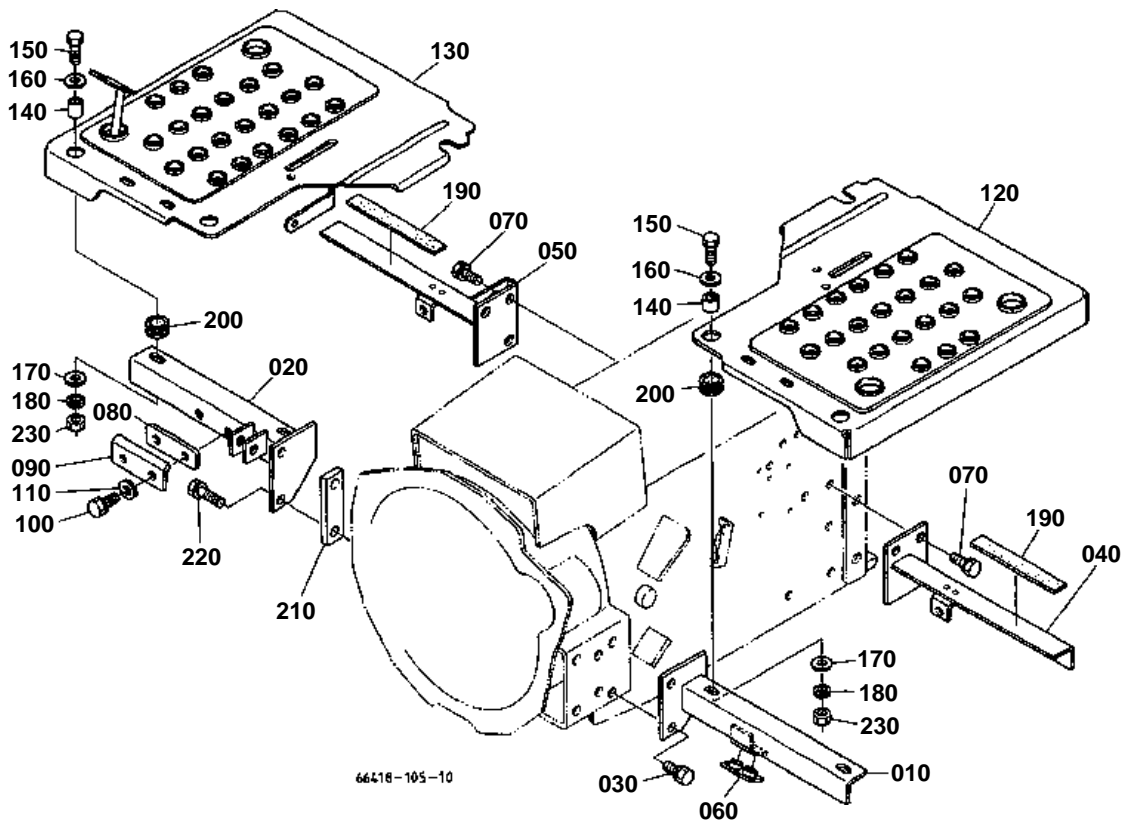




SEAT

↔ Interchangeable; ≠ not interchangeable; ← new for old; → old for new

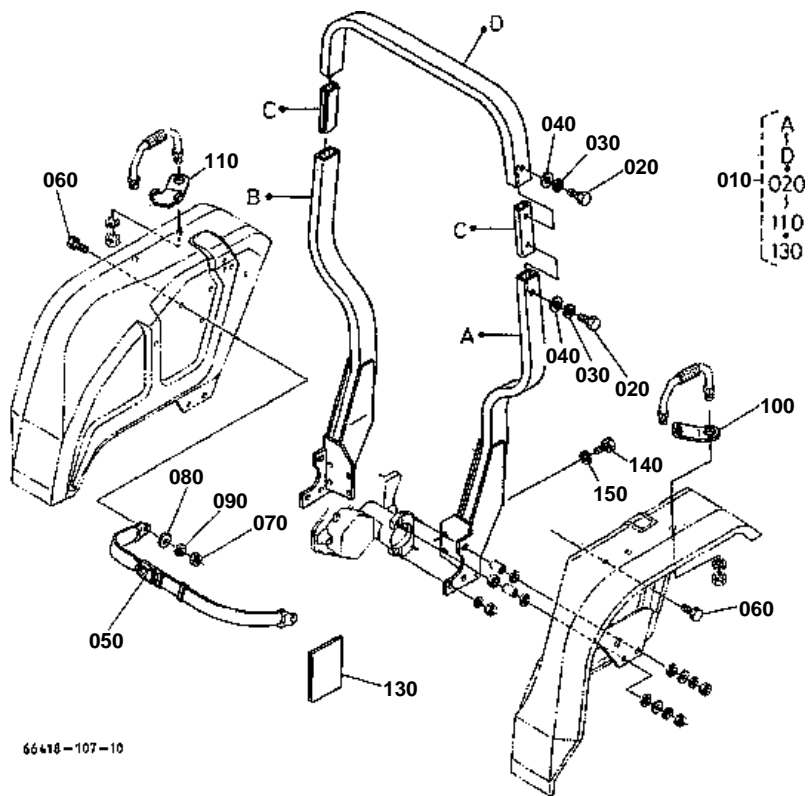
REF.No	Part No.	Description	Q'ty	S.No.	I/C	REMARKS	Weight (kgf)	Weight (lb)
010	32420-72960	SEAT	1	<=10194			0	0
010	35080-18400	ASSY SEAT	1	>=10195	↔	[A] RESERVED BY KTC	0	0
020	67061-45920	BRACKET	2				0.18	0.396
030	01123-60816	BOLT	4				0.01	0.022
050	38240-24420	PIN JOINT	2	<=10090			0.028	0.0616
050	05122-51045	PIN JOINT	2	>=10091	←		0	0
060	05515-61000	PIN SNAP	2				0.002	0.0044
070	67817-52600	ASSY ADJUSTER SEAT	1				3	6.6
080	66361-52700	COMP.ADJUSTER SEAT	1				2.01	4.422
090	66361-52710	SUPPORT SEAT FRONT	1				0.52	1.144
100	01153-50816	BOLT	2				0.01	0.022
110	04512-60080	WASHER SPRING	2				0.002	0.0044
120	02156-50080	NUT	2				0.004	0.0088
130	66301-52733	SUPPORT ADJUSTER	1				0.32	0.704
140	04512-60100	WASHER SPRING	2				0.002	0.0044
150	02018-50100	NUT	2				0.011	0.0242
160	67817-52720	SUPPORT ADJUSTER	1				0.1	0.22
170	04512-60100	WASHER SPRING	2				0.002	0.0044
180	02018-50100	NUT	2				0.011	0.0242
190	01153-51025	BOLT	4				0.019	0.0418
200	04512-60100	WASHER SPRING	4				0.002	0.0044
210	66591-41540	CUSHION	4				0.01	0.022
220	66591-41550	COLLAR	2				0.02	0.044
230	67061-45970	SPRING SEAT	2				0.13	0.286
240	01123-50820	BOLT	2				0.011	0.0242
250	04015-60080	WASHER PLAIN	2				0.01	0.022
260	66301-52820	CAP SPRING	2				0.04	0.088



**STEP**

↔ Interchangeable; ≠ not interchangeable; ← new for old; → old for new

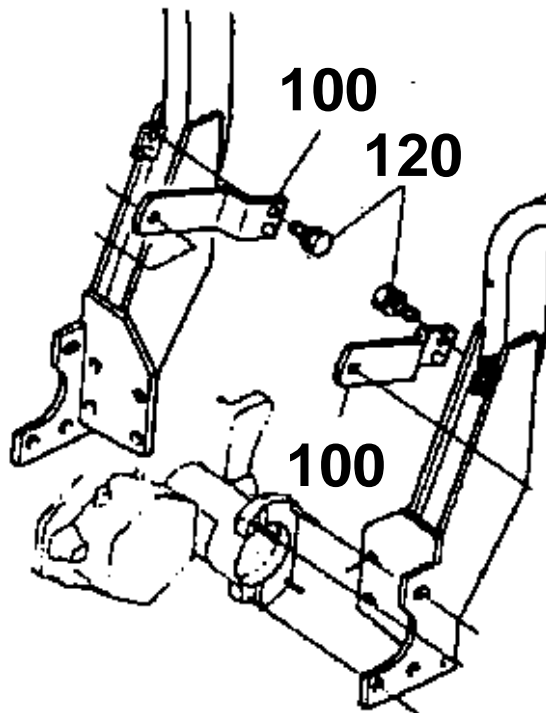
REF.No	Part No.	Description	Q'ty	S.No.	I/C	REMARKS	Weight (kgf)	Weight (lb)
010	66361-51510	FRAME STEP FRONT LH	1				0.61	1.342
020	66418-51520	FRAME STEP FRONT RH	1				0.5	1.1
030	01133-51020	BOLT	4				0.02	0.044
040	67800-51532	FRAME STEP REAR LH	1				0.535	1.177
050	67800-51544	FRAME STEP REAR RH	1				0.61	1.342
060	67800-51580	CUSHION	1				0.005	0.011
070	01133-51020	BOLT	6				0.02	0.044
080	67111-51560	PLATE BRAKE	1				0.025	0.055
090	67111-51570	HOLDER BRAKE	1				0.025	0.055
100	01123-50825	BOLT	2				0.013	0.0286
110	04013-50080	WASHER PLAIN	2				0	0
120	66418-51610	STEP LH	1				2.5	5.5
130	66418-51620	COMP.STEP RH	1				0.1	0.22
140	37300-35140	SPACER	4				0.006	0.0132
150	01153-50828	BOLT	4				0.014	0.0308
160	04013-50080	WASHER PLAIN	4				0	0
170	04015-60080	WASHER PLAIN	4				0.01	0.022
180	04512-60080	WASHER SPRING	4				0.002	0.0044
190	34150-33220	CUSHION	2				0.015	0.033
200	66361-51680	CUSHION RUBBER	4				0.01	0.022
210	66419-51530	SPACER	1				0.15	0.33
220	01133-51030	BOLT	2				0.025	0.055
230	02114-50080	NUT	4				0.005	0.011



66418-107-10

100 66418-7215-0

120 01123-50825

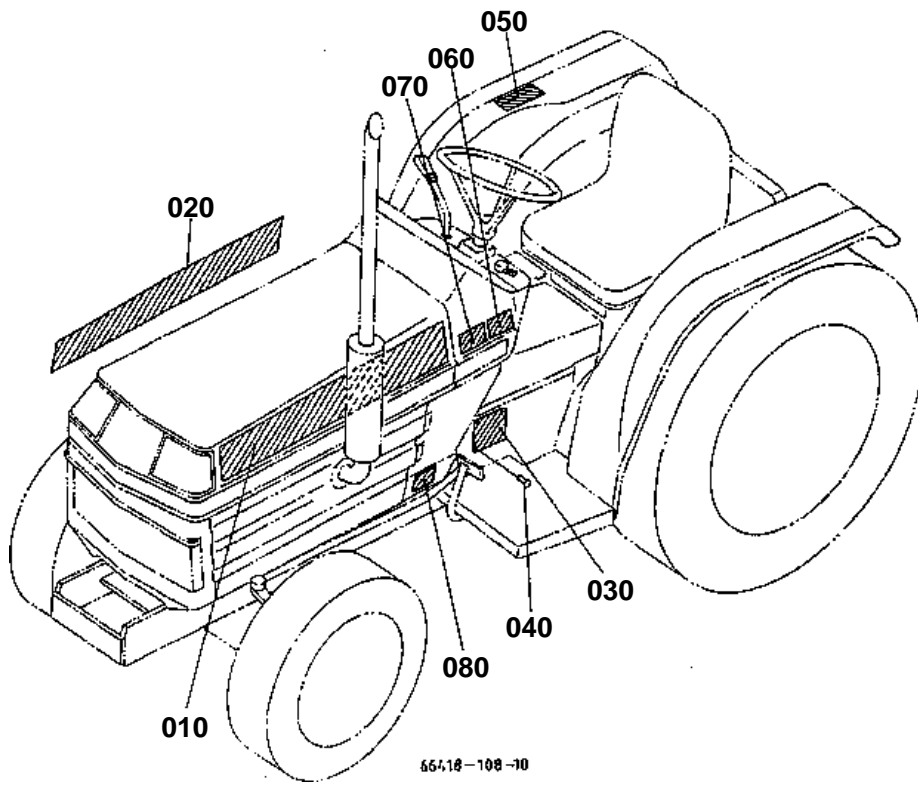


66418-814-10



↔ Interchangeable; ≠ not interchangeable; ← new for old; → old for new

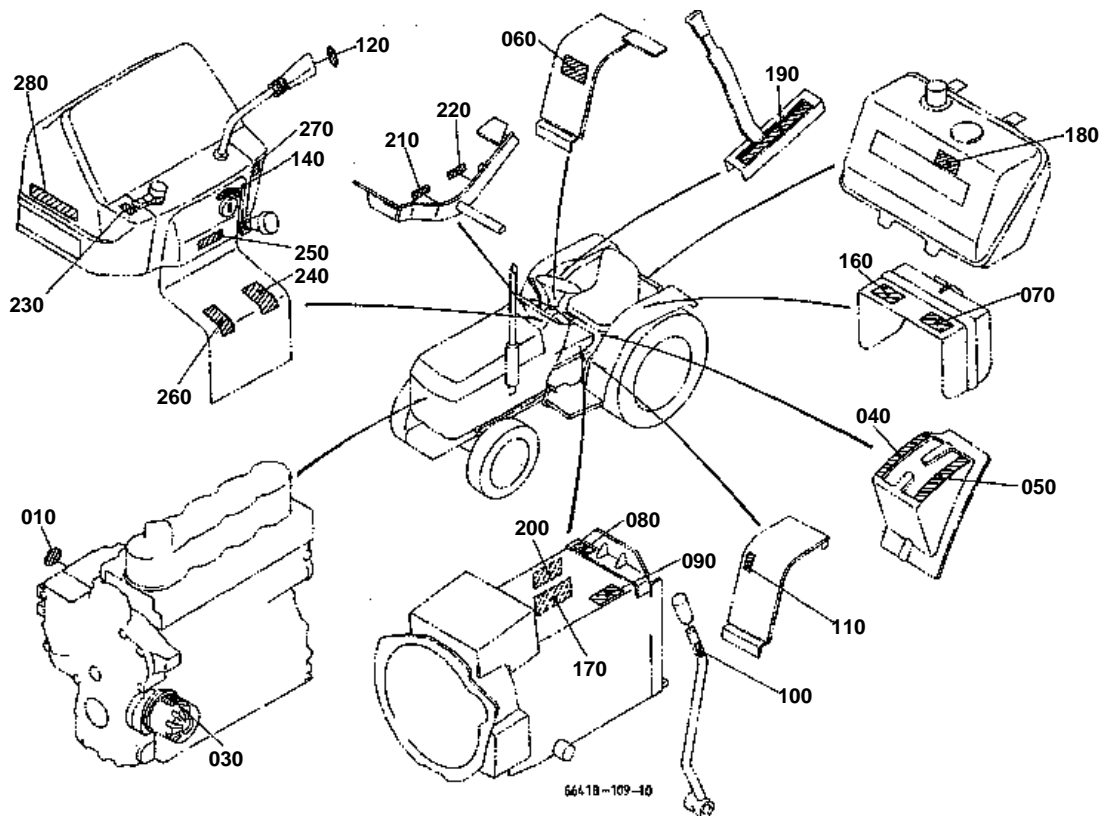
REF.No	Part No.	Description	Q'ty	S.No.	I/C	REMARKS	Weight (kgf)	Weight (lb)
010	66418-72100	ASSY ROPS	1				0	0
020	01173-51428	BOLT	4				0.049	0.1078
030	04512-60140	WASHER SPRING	4				0.008	0.0176
040	04013-60140	WASHER PLAIN	4				0.01	0.022
050	66416-72190	ASSY BELT SEAT	1				0.34	0.748
060	01173-51025	BOLT	2				0.021	0.0462
070	02176-50100	NUT	2				0.005	0.011
080	04013-50100	WASHER PLAIN	2				0	0
090	04512-60100	WASHER SPRING	2				0.002	0.0044
100	66418-72150	HOLDER SEAT BELT	2	≤10227			0.44	0.968
100	66416-72200	HOLDER SEAT BELT	2	≥10228	≠		0.028	0.0616
110	66416-72210	HOLDER SEAT BELT	2	≥10228			0.032	0.0704
120	01123-50825	BOLT	4	≤10227			0.013	0.0286
130	66418-72172	MANUAL CONSTRUCTION	1				0	0
140	01156-51230	BOLT	8				0.037	0.0814
150	04512-50120	WASHER SPRING	8				0	0



**LABEL 1**

↔ Interchangeable; ≠ not interchangeable; ← new for old; → old for new

REF.No	Part No.	Description	Q'ty	S.No.	I/C	REMARKS	Weight (kgf)	Weight (lb)
010	66418-47110	LABEL BONNET LH	1	≤10227			0.03	0.066
010	66418-47112	LABEL BONNET LH	1	≥10228	≠		0.02	0.044
020	66418-47120	LABEL BONNET RH	1	≤10227			0.03	0.066
020	66418-47122	LABEL BONNET RH	1	≥10228	≠		0.02	0.044
030	99999-99999	NAME PLATE	1			NON SALE	0	0
040	54102-24410	RIVET	4				0.001	0.0022
050	66418-47490	LABEL SPEED	1				0.005	0.011
080	35820-98632	LABEL START CAUTION	1			ENGLISH	0.003	0.0066





LABEL 2

↔ Interchangeable; ≠ not interchangeable; ← new for old; → old for new

REF.No	Part No.	Description	Q'ty	S.No.	I/C	REMARKS	Weight (kgf)	Weight (lb)
010	15612-87210	LABEL CAUTION	1				0.001	0.0022
010	16478-88210	LABEL	1				0.001	0.0022
020	15232-88210	LABEL GLOW PLUG	1	<=10227			0.001	0.0022
030	15372-87210	LABEL CAUTION	1				0.001	0.0022
040	67817-47180	LABEL MAIN SHIFT	1				0.001	0.0022
050	67817-47190	LABEL MAIN SHIFT	1				0.001	0.0022
060	35260-34912	LABEL SAFETY	1	<=10194		ENGLISH	0	0
060	35260-34913	LABEL SAFETY	1	>=10195	←	ENGLISH	0	0
070	35200-25340	LABEL PTO WARNING	1			ENGLISH	0.002	0.0044
080	67800-47350	LABEL RANGE SHIFT	1	<=10194			0.001	0.0022
080	66428-47350	LABEL RANGE SHIFT	1	>=10195	←		0.001	0.0022
090	67800-47363	LABEL PTO SHIFT	1				0.001	0.0022
100	66361-47370	LABEL PTO SHIFT	1				0.001	0.0022
120	67156-47310	LABEL ACCEL.GRIP	1				0.001	0.0022
130	32530-65530	LABEL HAZARD MARK	1	<=10090			0.001	0.0022
130	32539-65530	LABEL HAZARD MARK	1	>=10091	≠		0.001	0.0022
140	66416-47320	LABEL MAIN SWITCH	1				0.001	0.0022
150	35260-29782	LABEL ROPS WARNING	1			ENGLISH	0.001	0.0022
160	35260-29790	LABEL DRAWBAR	1			ENGLISH	0.002	0.0044
170	67840-47510	LABEL HYD.OUTLET	1				0.001	0.0022
180	67800-47520	LABEL HYD.LOCK	1	<=10194			0	0
180	66428-47520	LABEL HYD.LOCK	1	>=10195	←		0.001	0.0022
190	67810-47520	LABEL P.CON.	1	<=10194			0	0
190	66428-47530	LABEL POSITION CONT.	1	>=10195	←		0.001	0.0022
250	66416-47130	LABEL STEERING	1			POWER STEERING	0.001	0.0022

**ACCESSORIES AND SERVICE PARTS**

↔ Interchangeable; ≠ not interchangeable; ← new for old; → old for new

REF.No	Part No.	Description	Q'ty	S.No.	I/C	REMARKS	Weight (kgf)	Weight (lb)
010	66418-62910	MANUAL INSTRUCTION	1	<=10090		ENGLISH	0	0
010	66418-62912	MANUAL INSTRUCTION	1	>=10091	←	ENGLISH	0	0
010	66418-62913	MANUAL INSTRUCTION	1	>=10228	←	ENGLISH	0.125	0.275
020	66416-62920	ASSY BAG SPARE FUSE	1				0.01	0.022
030	35820-75560	FUSE AUTO	2				0.002	0.0044
040	67111-55190	RING FUSIBLE	1				0.005	0.011
060	15241-86610	WRENCH FILTER	1	<=10227			0	0
060	15241-86612	WRENCH FILTER	1	>=10228	↔		0.115	0.253
070	37410-55150	KEY STARTER	1				0.025	0.055